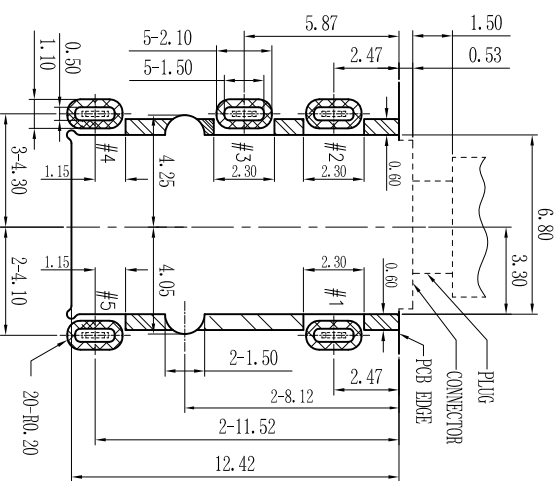
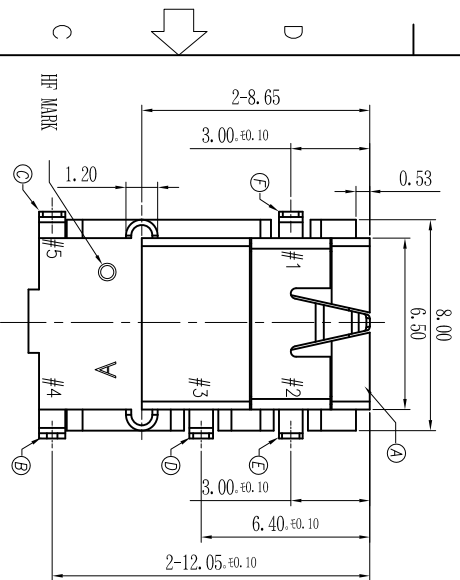
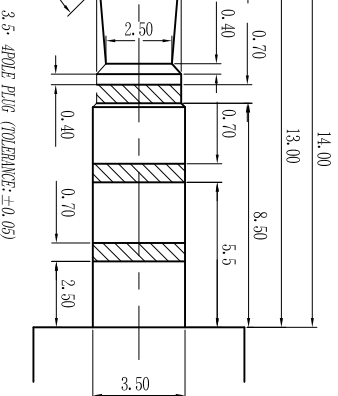
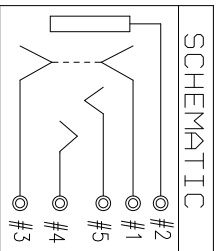
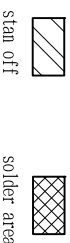


REV.	ECN NO OR DESCRIPTION	REVISED	DATE
A	PRODUCT RELEASE	WEIQG	2011.09.21
B	ECN NO:C110343 修改電鍍規格描述符合實際作業	WEIQG	2011.10.28



RECOMMENDED P.C.B. LAYOUT
TOP VIEW (TOLERANCE: ±0.05)



3.5-4POLE PLUG (TOLERANCE: ±0.05)

SPECIFICATIONS:

- ELECTRICAL CHARACTERISTICS:
 - RATING: 12V 1A
 - CONTACT RESISTANCE: 30m MAX (PERFORM Ω)
 - DIELECTRIC VOLTAGE WITHSTAND: 500V AC FOR ONE MINUTE
 - INSULATION RESISTANCE: 100M MIN. MEASURED BY 500 VDC
- MECHANICAL CHARACTERISTICS:
 - INSERTED FORCE: 3.0 KGF MAX.
 - WITHDRAWAL FORCE: 0.3-3.0 KGF
- LIFE TEST: 5,000 CYCLES MIN.
- TO CONFORM TO THE SINGATON HSF SPECIFICATION.
- HALOGEN FREE PRODUCT IDENTIFICATION MARK:
- HALOGEN FREE PRODUCT IDENTIFICATION LABEL ON PACKAGING:
- FOR REFLOW SOLDERING LEAD-FREE PROCESS.
- PACKAGING: TAPE & REEL.

NO	DESCRIPTION	QTY	MATERIAL	PLATING & COLOR
F	RING-B	1	COPPER ALLOY 0.2t	
E	EARTH	1	COPPER ALLOY 0.2t	Gold Flash ON CONTACT AREA AND SOLDER TAIL
D	RING SPRING-B1	1	COPPER ALLOY 0.2t	
C	RING SPRING-A	1	COPPER ALLOY 0.2t	N40 80u"
B	TIP SPRING	1	COPPER ALLOY 0.2t	
A	BODY	1	HIGH TEMP. THERMOPLASTIC	BLACK

UNLESS OTHERWISE SPECIFIED TOLERANCES

DECIMALS: ANGLES:

X : ±0.5 X : ±2°
 X.X : ±0.3 X.X : ±1°
 X.XX : ±0.2

Singaton Enterprise Co., Ltd.
 信音企業股份有限公司

TITLE: 3.5 PHONE JACK

DWG: WENG2011102 PART NO. 2SJ2300-002111F

CHKD: Weng2011102 SCALE: 5:1 UNIT: mm

APVD: LAB 2011102 SIZE: A4 SHEET: 10/1 REV: B

CUSTOMER COPY