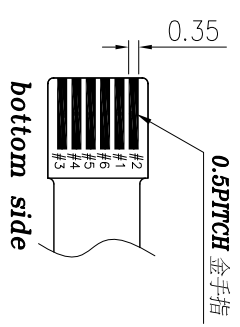
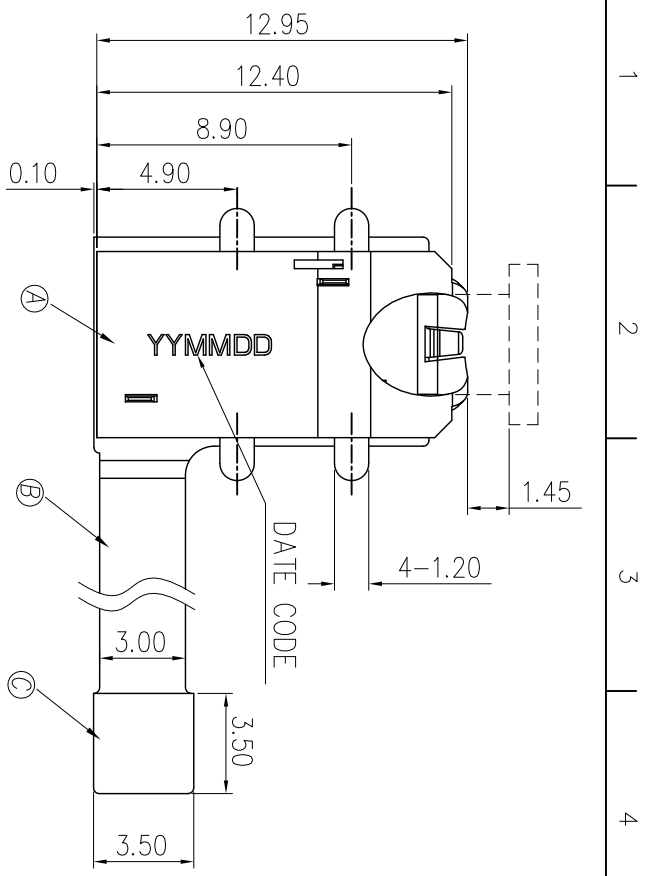
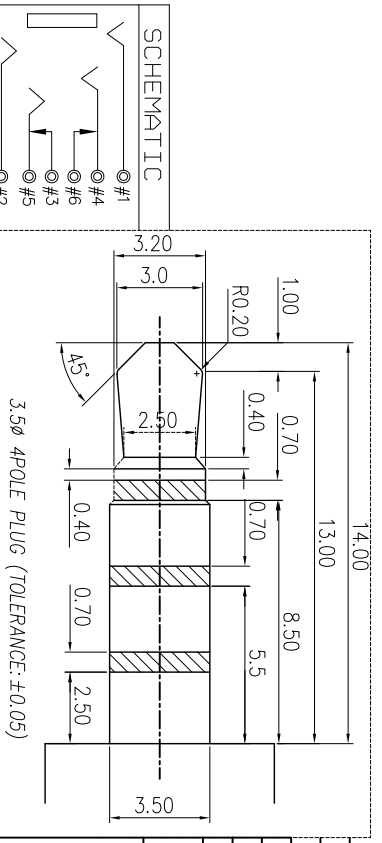
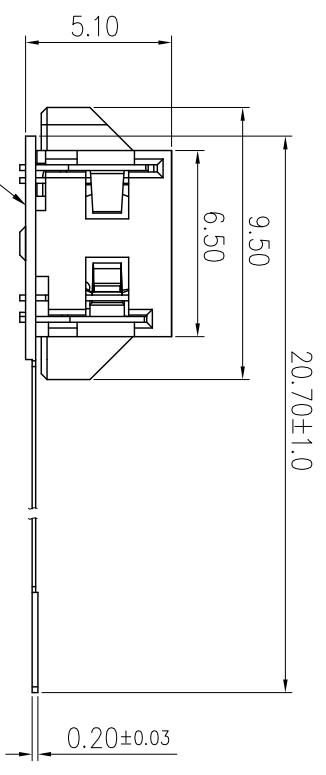


REV	ECN NO	OR DESCRIPTION	REVISED	DATE
A		PRODUCT RELEASE	ARES	2012.09.24



- SPECIFICATIONS:**
- ELECTRICAL CHARACTERISTICS:
 - RATING: 12V 1A
 - CONTACT RESISTANCE:
 - Without Switch: 120mΩ MAX(BEFORE).
 - With Switch 200mΩ MAX(BEFORE).
 - DIELECTRIC VOLTAGE WITHSTAND: 100V AC FOR ONE MINUTE
 - INSULATION RESISTANCE: 100MΩ MIN. MEASURED BY 500 VDC
 - MECHANICAL CHARACTERISTICS:
 - INSERTED FORCE : 0.3~3.0 Kgf
 - WITHDRAWAL FORCE : 0.3~3.0 Kgf
 - LIFE TEST: 5,000 CYCLES MIN.
 - OTHER GENERAL SPEC. TO REFER "3.5Φ PHONE JACK SPEC".
 - TO CONFORM TO THE SINGATRON HSF SPECIFICATION.
 - HALOGEN FREE PRODUCT IDENTIFICATION MARK:
 - HALOGEN FREE PRODUCT IDENTIFICATION LABEL ON PACKAGING:
 - PACKAGING : TRAY



NO	DESCRIPTION	QTY	MATERIAL	PLATING & COLOR
D	Reinforcement Plate	1	PI 0.201±0.03	
C	Reinforcement Plate	1	PI 0.201±0.03	
B	FPC	1	CCL AND CVL	TRANSPARENT
A	AUDIO JACK P/N: 2S12306-004111F	1		Gold flush

UNLESS OTHERWISE SPECIFIED TOLERANCES

DECIMALS: ANGLES:

X : ±0.5 X : ±2°
 X.X : ±0.3 X.X : ±1°
 X.XX : ±0.2

APVD	DATE	SIZE	SHEET	REV
AWO	2012/08/28	A3	10F2	A

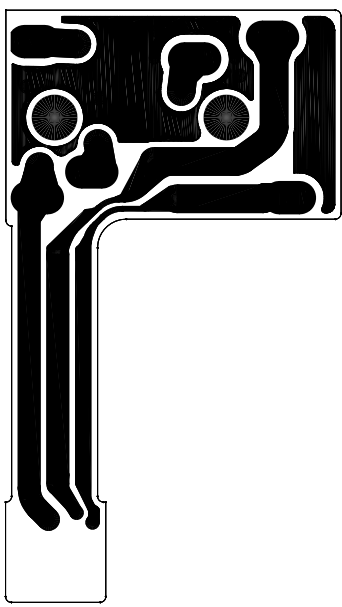
CUSTOMER COPY

Singatron Enterprise Co., Ltd.
 信音企業股份有限公司

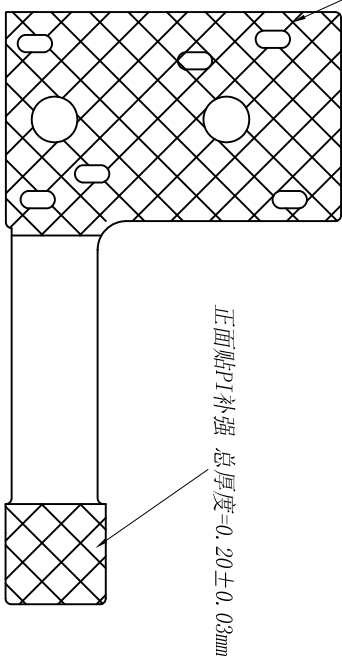
TITLE: Ø3.5 PHONE JACK +FPC
 DIM: HRS: 2012/08/24
 CHKD: WMMAN: 2012/08/28
 PRT NO. 2S12306-900111F
 SCALE 5:1 UNIT: mm
 SHEET: 10F2 REV: A

REV	ECN NO OR DESCRIPTION	REVISED	DATE
A	PRODUCT RELEASE	ARES	2012.09.24

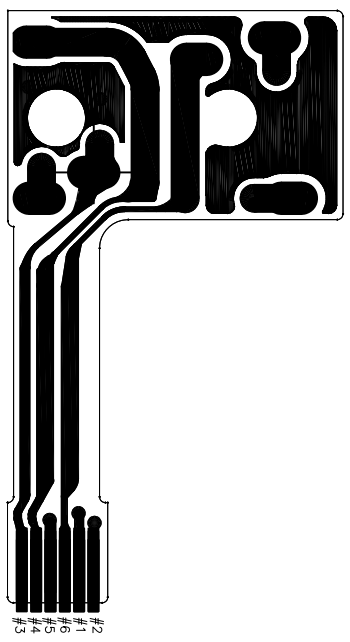
正面线路



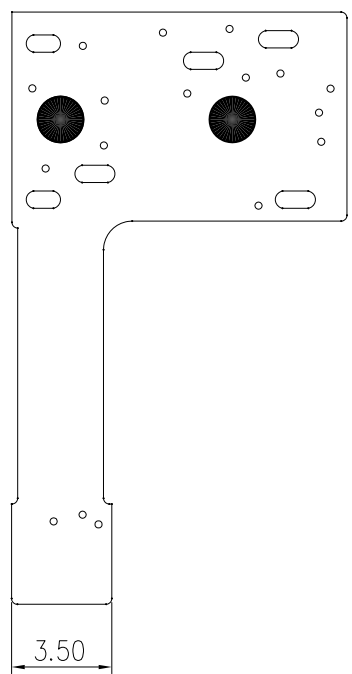
补强图



反面线路



外形分孔图



- 1、未注公差: ±0.20 mm
- *2、材料: 1/2 OZ铜
- *3、厚度: T=0.15±0.03mm
- 4、工艺:沉金;

NO	DESCRIPTION	QTY	MATERIAL	PLATING & COLOR
UNLESS OTHERWISE SPECIFIED TOLERANCES				
DECIMALS: ANGLES:				
X	:±0.5	X	:±2°	
X X	:±0.3	X X	:±1°	
X X X	:±0.2			
TITLE: Ø3.5 PHONE JACK +FPC				
DWN	ARES 2012.08.24	PART NO. 25J2306-900111F		
CHKD	WUKAN 2012.08.25	SCALE 5:1 UNIT: mm		
APVD	lmo 2012.08.25	SIZE: A3	SHEET: 20F2	REV: A

CUSTOMER COPY

Singatron Enterprise Co., Ltd.
信音企業股份有限公司

