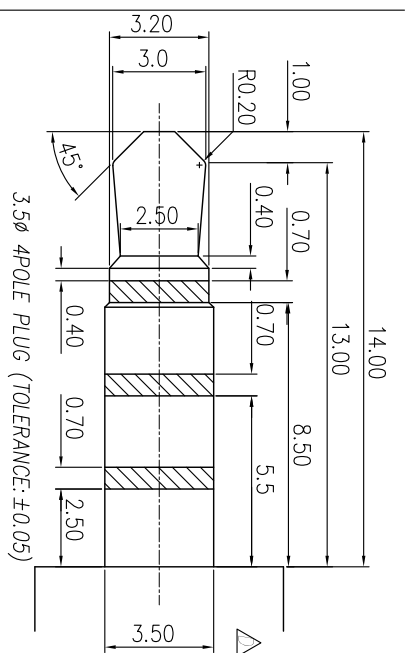
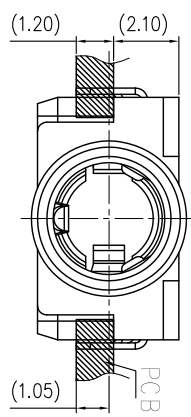


- SPECIFICATIONS:
- ELECTRICAL CHARACTERISTICS:
 - WORKING VOLTAGE: 12V MAX.
 - CONTACT RESISTANCE: 30m MAX(INITIAL).
 - MATING FORCE 3kg Max.UNMATING FORCE 0.3kg Min.
 - LIFE TEST: 10,000 CYCLES MIN.
 - PACKING: TAPE & REEL
 - TO CONFORM TO THE SINGATRON HSF SPECIFICATION.
 - HALOGEN FREE PRODUCT IDENTIFICATION MARK ON PRODUCT.
 - HALOGEN PRODUCT IDENTIFICATION LABEL ON PACKAGING.
 - FOR REFLOW SOLDERING LEAD-FREE PROCESS.
 - SOLDER HEAT RESISTANCE REFLOW SOLDERING 260°C 10SECS.
 - PURCHASE RECYCLED AND RESIN AND COATED WIRE ONLY FROM THE BUSINEDPARTNER THAT SONY APPROVER AS GREEN PARTNERS
 - DATE CODE:

YY	MM	DD
Year	Month	Day



REV.	ECN NO OR DESCRIPTION	REVISED	DATE
C	ECN:0120233 ADD SPECIFICATIONS No.10	DAOWEN	2012.07.16
D	ECN:0120256 UPDATE DRAWING	DAOWEN	2012.09.07
E	ECN:0120384 UPDATE DRAWING	DAOWEN	2013.03.15

NO	DESCRIPTION	MATERIAL	PLATING & COLOR
F	RING SPRING B-1	COPPER ALLOY 0.2t	G/F
E	RING SPRING A	COPPER ALLOY 0.2t	G/F
D	TIP SPRING	COPPER ALLOY 0.2t	G/F
C	EARTH	COPPER ALLOY 0.2t	G/F
B	RING SPRING B-1	COPPER ALLOY 0.2t	G/F
A	BODY	PA-10T+30%GF	BLACK (7C)

UNLESS OTHERWISE SPECIFIED TOLERANCES

Singatron Enterprise Co., Ltd.
信登企業股份有限公司

TITLE	3.50 PHONE JACK
DWM	PART NO. 3512307-000111
CHKD	SCALE 6:1 UNIT: mm
APVD	SIZE: A3 SHEET: 10F1 REV: E

CUSTOMER COPY