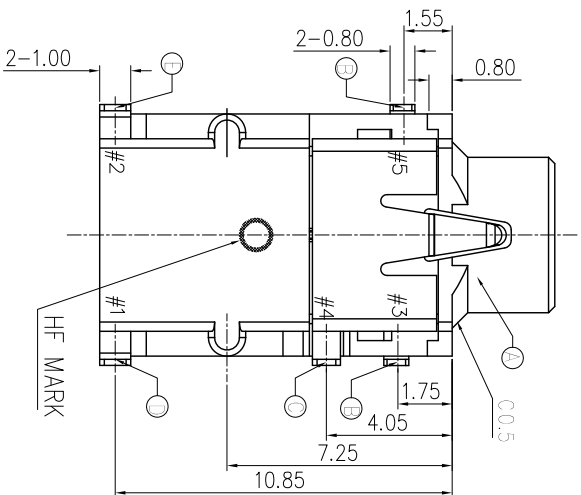
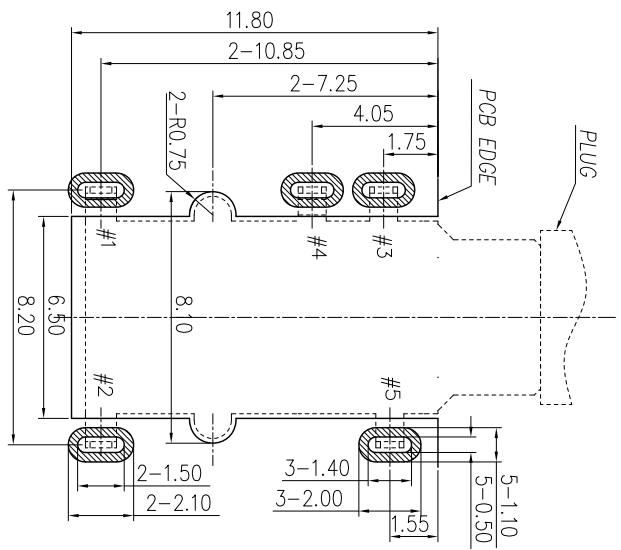


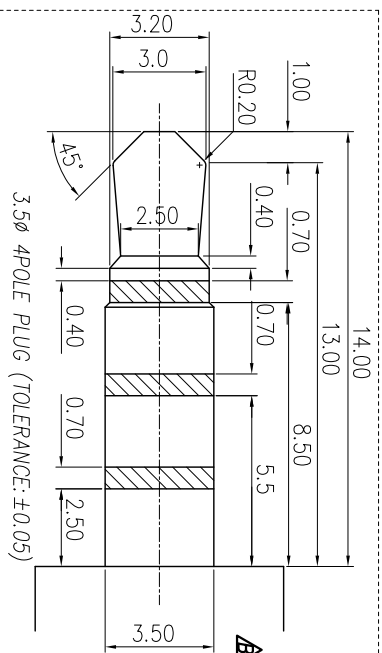
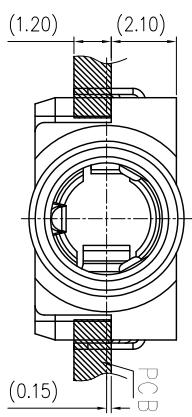
REV.	ECN NO.	OR DESCRIPTION	REVISED	DATE
A		PRODUCT RELEASE	WEIQG	2014.12.08
B		ECN NO.:C140081	REX	2014.04.18



- DATE CODE
1. ELECTRICAL CHARACTERISTICS:
- 1-1. RATING: 12V 1A
 - 1-2. CONTACT RESISTANCE: 30mΩ MAX.
 - 1-3. DIELECTRIC WITHSTANDING VOLTAGE: 500V AC FOR ONE MINUTE
 - 1-4. INSULATION RESISTANCE: 100MΩ MIN. MEASURED BY 500 VDC
2. MECHANICAL CHARACTERISTICS:
- 2-1. INSERTION FORCE : 0.3~3.0 KGF
 - 2-2. WITHDRAWAL FORCE : 0.3~3.0 KGF
3. LIFE TEST: 5,000 CYCLES MIN.
4. OTHER GENERAL SPEC. TO REFER "2SU2307 SERIES SPEC."
5. TO CONFORM TO THE SINGATRON HARDWARE SUBSTANCE FREE SPEC.
6. HALOGEN FREE PRODUCT IDENTIFICATION MARK: (S)
7. HALOGEN FREE PRODUCT IDENTIFICATION LABEL ON PACKAGING: (S)
8. FOR REFLOW SOLDERING LEAD-FREE PROCESS.
9. PACKAGING: TAPE & REEL.



RECOMMENDED PCB LAYOUT
TOP VIEW (TOLERANCE: ±0.05)



E	RING SPRING A	1	COPPER ALLOY 0.2t	
D	TIP SPRING	1	COPPER ALLOY 0.2t	Gold Flash On Contact Area & Solder tail, All over Nickel Plated.
C	EARTH	1	COPPER ALLOY 0.2t	
B	RING SPRING B	2	COPPER ALLOY 0.2t	
A	BODY	1	THERMOPLASTIC HIGH TEMP	BLACK
NO	DESCRIPTION	QTY	MATERIAL	PLATING & COLOR

UNLESS OTHERWISE SPECIFIED TOLERANCES

DECIMALS:	ANGLES:
X : ±0.5	X : ±2°
X.X : ±0.3	X.X : ±1°
X.XX : ±0.2	

TITLE	3.50 PHONE JACK
DWN	REV: 2014.04.18
CHKD	REV: 2014.04.18
APVD	REV: 2014.04.18

Singatron Enterprise Co., Ltd.
信亨企業股份有限公司

PART NO. 2SU2307-001111F
SCALE 6:1
UNIT: mm
SHEET: 10F1
REV: B

CUSTOMER COPY