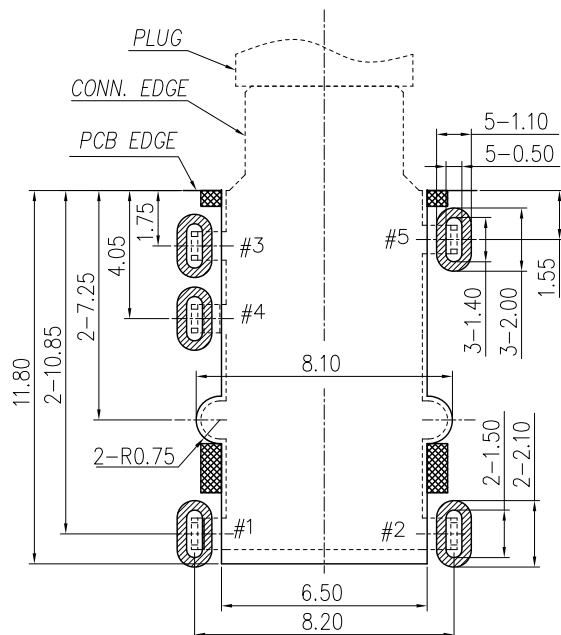
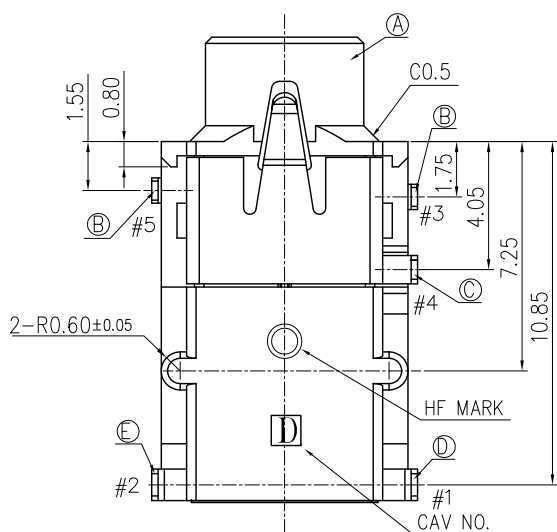
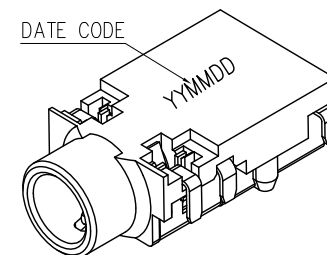
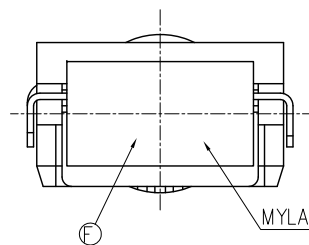
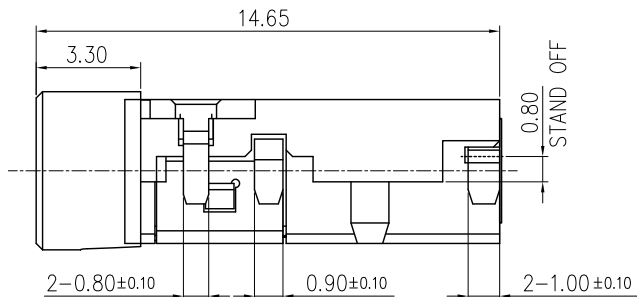
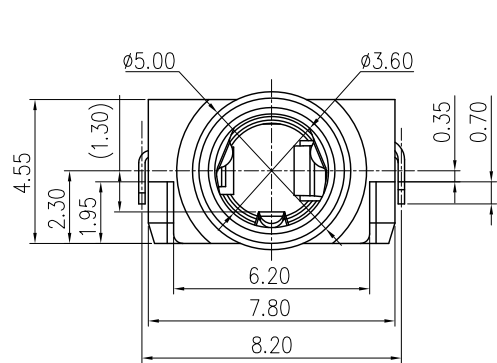


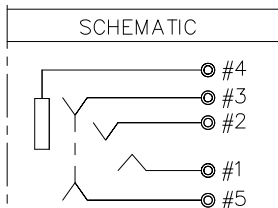
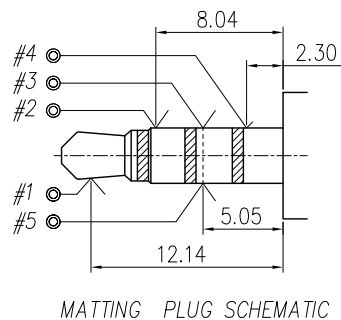
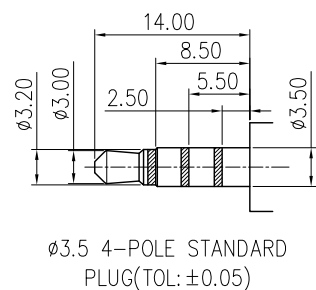
REV.	ECN NO OR DESCRIPTION	REVISED	DATE
A	PRODUCT RELEASE	REX	2014.04.14



SPECIFICATIONS:

- ELECTRICAL CHARACTERISTICS:**
 - 1-1. RATING: 12V/1A
 - 1-2. CONTACT RESISTANCE: 30mΩ MAX.
 - 1-3. DIELECTRIC WITHSTANDING VOLTAGE: 500V AC FOR ONE MINUTE
 - 1-4. INSULATION RESISTANCE: 100MΩ MIN. MEASURED BY 500 VDC
- MECHANICAL CHARACTERISTICS:**
 - 2-1. INSERTION FORCE : 0.3~3.0 KGF
 - 2-2. WITHDRAWAL FORCE : 0.3~3.0 KGF
- LIFE TEST: 5,000 CYCLES.**
- OTHER GENERAL SPEC. TO REFER "2SJ2307 SERIES SPEC".**
- TO CONFORM TO THE SINGATRON HARDUABRON SUBSTANCE FREE SPEC.**
- HALOGEN FREE PRODUCT IDENTIFICATION MARK: ☉**
- HALOGEN FREE PRODUCT IDENTIFICATION LABEL ON PACKAGING:**
- FOR REFLOW SOLDERING LEAD-FREE PROCESS.**
- PACKAGING: TAPE & REEL.**

RECOMMENDED PCB LAYOUT
TOP VIEW (TOLERANCE: ±0.05)
STAND OFF AREA:



F	MYLAR	1	MYLAR 0.075T	BLACK
E	RING SPRING A	1	C5210 0.2T	Gold Flash On Contact Area & Solder tail, All over Nickel Plated.
D	TIP SPRING	1	C5210 0.2T	
C	EARTH	1	C5191-EH 0.2t	
B	RING SPRING B	2	C5210 0.2T	
A	BODY	1	PA10T+30%GF, UL94V-0	BLACK
NO	DESCRIPTION	QTY	MATERIAL	PLATING & COLOR
UNLESS OTHERWISE SPECIFIED TOLERANCES			Singatron Enterprise Co., Ltd. 信音企業股份有限公司	
DECIMALS: ANGLES:		TITLE: 3.5ø PHONE JACK		
X : ±0.5	X : ±2°	DWN	REX 2014.04.21	PART NO. 2SJ2307-002111F
X.X : ±0.3	X.X : ±1°	CHKD	WAJ 2014.04.21	SCALE 6:1 UNIT: mm
X.XX : ±0.2		APVD	ZJZ 2014.04.21	SIZE: A3 SHEET: 10F1 REV: A

CUSTOMER COPY