

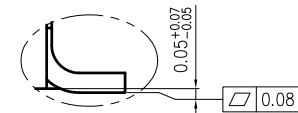
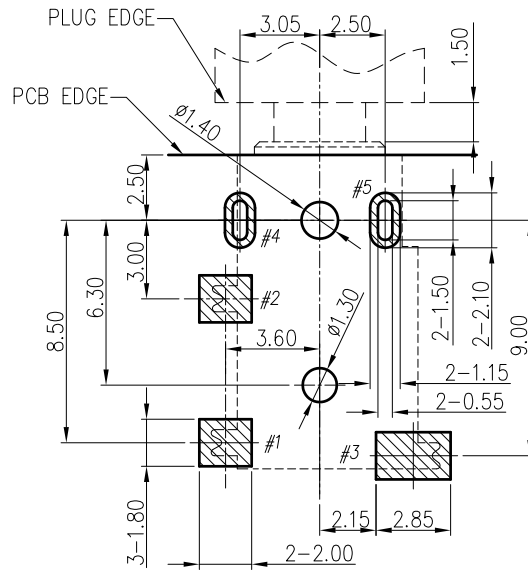
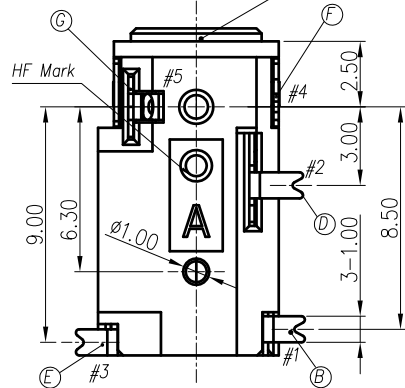
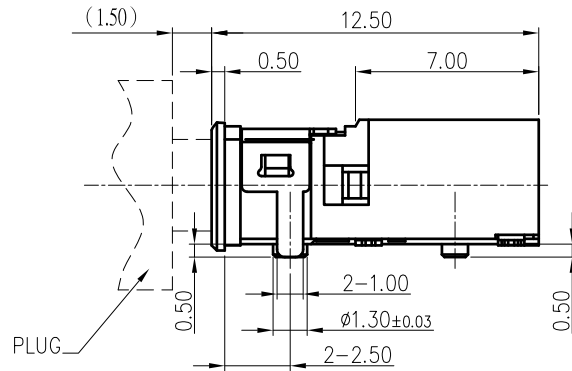
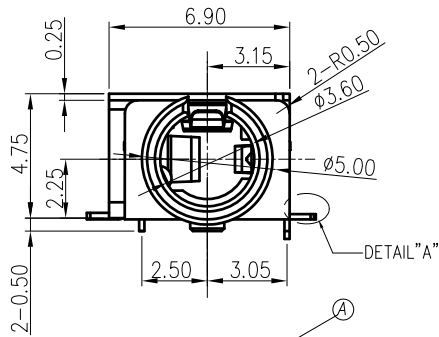


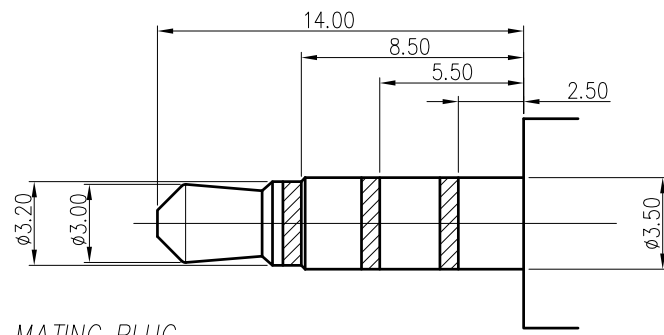
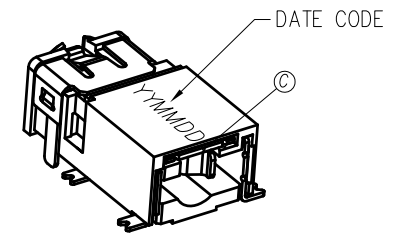
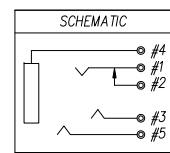
REV.	ECN NO OR DESCRIPTION	REVISED	DATE
A	PRODUCT RELEASE	Sticky-hu	2010.07.05

SPECIFICATIONS:

- ELECTRICAL CHARACTERISTICS:
 - 1-1. RATING: 12V 1A
 - 1-2. CONTACT RESISTANCE: 30mΩ MAX.(INITIAL)
 - 1-3. DIELECTRIC WITHSTANDING VOLTAGE: 500V AC FOR ONE MINUTE.
 - 1-4. INSULATION RESISTANCE: 100MΩ MIN. MEASURED BY 500 VDC
- MECHANICAL CHARACTERISTICS:
 - 2-1. INSERTION FORCE : 0.3~3.0 KGF , AFTER TESTED DECLINE LESS THAN 30%.
 - 2-2. WITHDRAWAL FORCE : 0.3~3.0 KGF, AFTER TESTED DECLINE LESS THAN 30%.
- LIFE TEST: 6,000 CYCLES MIN.
- OTHER GENERAL SPEC. TO REFER "2SJ2310 SERIES SPEC".
- TO CONFORM TO SINGATRON HAZARDOUS SUBSTANCE FREE SPEC.
- HALOGEN FREE PRODUCT IDENTIFICATION MARK ON JACK: 
- HALOGEN FREE PRODUCT IDENTIFICATION LABEL ON PACKAGING: 
- FOR REFLOW SOLDERING LEAD-FREE PROCESS.



DETAIL "A"
(3 SCALE)



MATING PLUG
ø3.5 4-POLE STANDARD PLUG (TOLERANCE: ±0.05)

RECOMMENDED PCB LAYOUT
TOP VIEW (TOLERANCE: ±0.05)

G	RING-B	1	COPPER ALLOY 0.2t	GOLD FLASH
F	EARTH	1	COPPER ALLOY 0.25t	GOLD FLASH
E	TIP SPRING	1	COPPER ALLOY 0.25t	GOLD FLASH
D	SHUNT-B	1	COPPER ALLOY 0.2t	GOLD FLASH
C	TERMINAL	1	SUS 0.3t	N/A
B	RING-A	1	COPPER ALLOY 0.2t	GOLD FLASH
A	BODY	1	HIGH TEMP. THERMOPLASTIC UL94-V0	BLACK COLOR
NO	DESCRIPTION	QTY	MATERIAL	PLATING & COLOR

UNLESS OTHERWISE SPECIFIED TOLERANCES

 Singatron Enterprise Co., Ltd.
信音企業股份有限公司

DECIMALS:	ANGLES:	TITLE	3.5ø AUDIO JACK		
X : ±0.5	X : ±2°	DWN	Sticky 10.07.13	PART NO. 2SJ2310-002111	
X.X : ±0.3	X.X : ±1°	CHKD	Winkan 10.07.13	SCALE 5:1	UNIT: mm
X.XX : ±0.2		APVD	Liao 10.07.13	SIZE: A3	SHEET: 1 OF 1
CUSTOMER COPY					