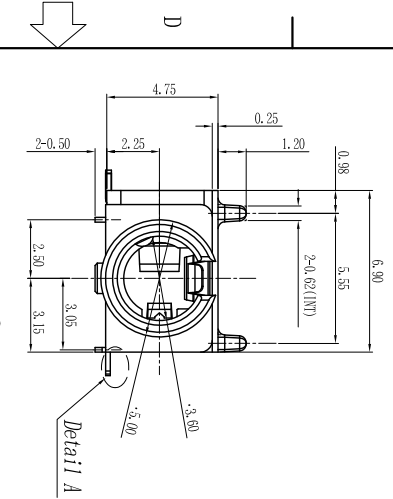
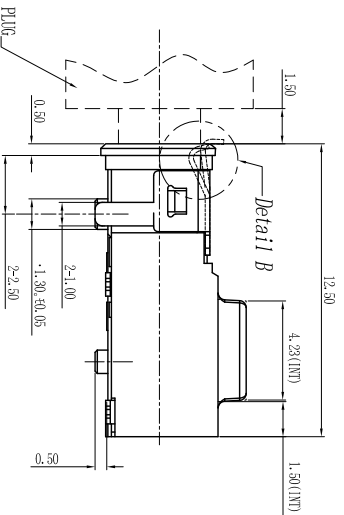


MATING PLUG

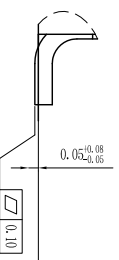
• 3.5 4-POLE STANDARD PLUG (TOLERANCE: ±0.05)



Detail A

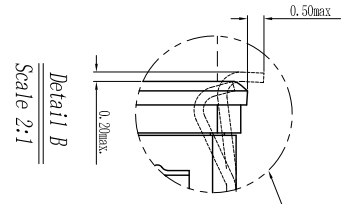


Detail B

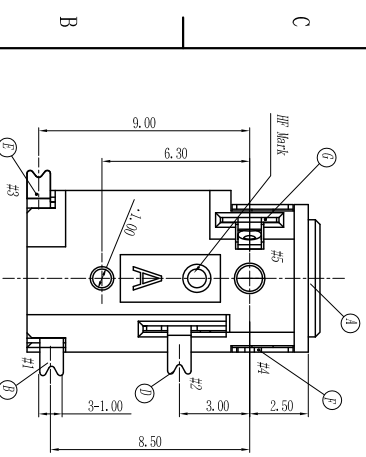


Detail A  
Scale 3:1

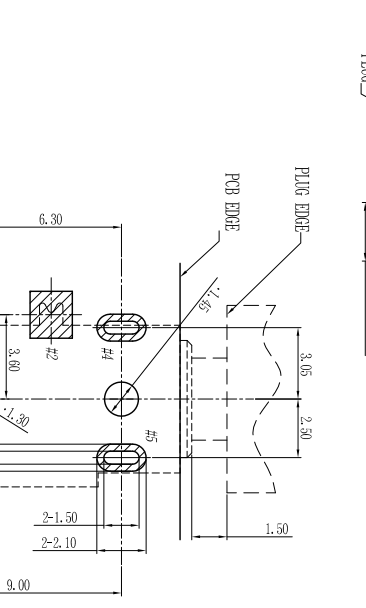
Detail B  
Scale 2:1



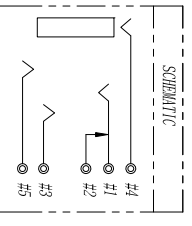
- SPECIFICATIONS:**
- ELECTRICAL CHARACTERISTICS:
    - RATING: 12V 1A
    - CONTACT RESISTANCE: 30m MAX. (INITIAL)
    - DIELECTRIC WITHSTANDING VOLTAGE: 500V AC FOR ONE MINUTE.
    - INSULATION RESISTANCE: 100M MIN. MEASURED BY 500VDC
  - MECHANICAL CHARACTERISTICS:
    - INSERTION FORCE : 0.3-3.0 KGF,  
2-2. WIDRAWAL FORCE : 0.3-3.0 KGF.
    - LIFE TEST: 10,000 CYCLES MIN.
  - OTHER GENERAL SPEC. TO REFER "CSJ2310-003111F SPEC".
  - TO CONFORM TO SINGATRON HAZARDOUS SUBSTANCE FREE SPEC.
  - HALOGEN FREE PRODUCT IDENTIFICATION MARK ON JACK:
  - HALOGEN FREE PRODUCT IDENTIFICATION LABEL ON PACKAGING:
  - FOR BELOW SOLDERING LEAD-FREE PROCESS.
  - PACKAGING: TAPE & REEL.



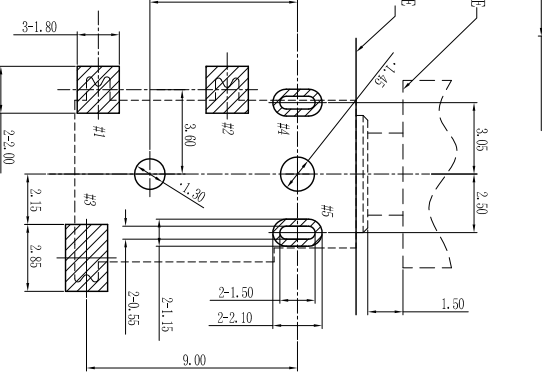
Detail A



Detail B



RECOMMENDED PCB LAYOUT  
TOP VIEW (TOLERANCE: ±0.05)



NO	DESCRIPTION	QTY	MATERIAL	PLATING & COLOR
A	BODY	1	COPPER ALLOY 0.2t	BLACK COLOR
B	RING-A	1	COPPER ALLOY 0.2t	GOLD FLASH
C	TERMINAL	1	SUS 0.3t	N/A
D	SHOBT-B	1	COPPER ALLOY 0.2t	GOLD FLASH
E	TIP SPRING	1	COPPER ALLOY 0.25t	GOLD FLASH
F	EARTH	1	COPPER ALLOY 0.25t	GOLD FLASH
G	RING-B	1	COPPER ALLOY 0.2t	GOLD FLASH

UNLESS OTHERWISE SPECIFIED TOLERANCES

DECIMALS: ANGLES:

X : ±0.5 X : ±2°

X.X : ±0.3 X.X : ±1°

X.XX : ±0.2

Singatron Enterprise Co., Ltd.  
信音企業股份有限公司

PART NO. CSJ2310-003111F

SCALE: 5:1

SIZE: A3

SHEET: 1 OF 1

REV: A

CUSTOMER COPY

REV.	ECN NO OR DESCRIPTION	REVISED	DATE
A	PRODUCT RELEASE	Hagen	2011.12.28