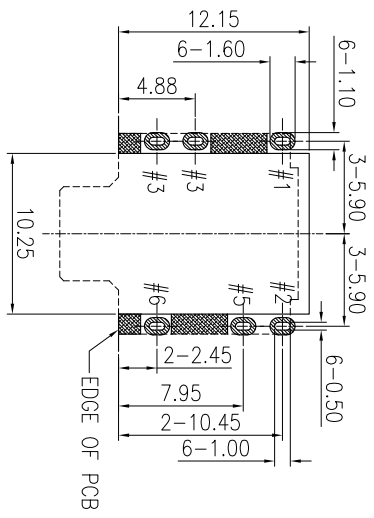
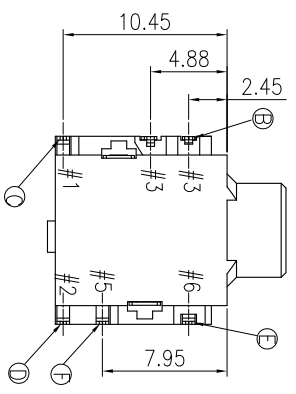
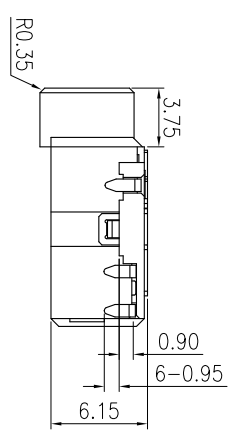
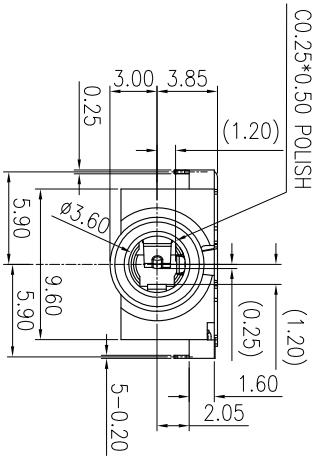
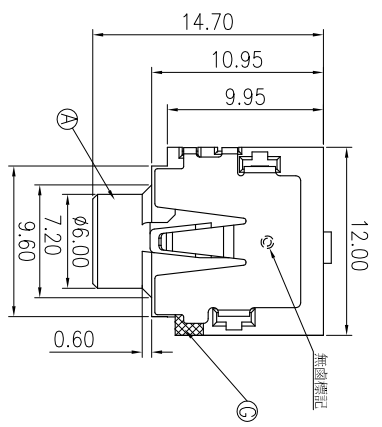
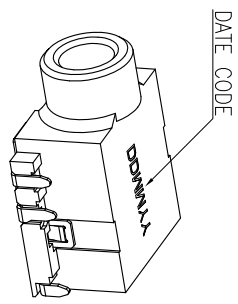
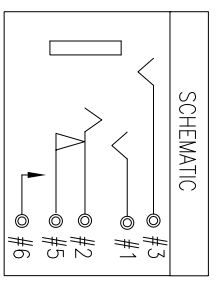
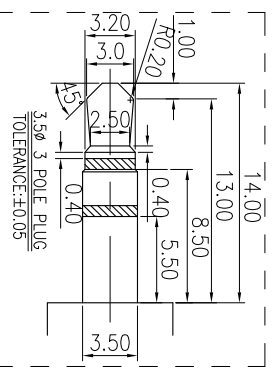


REV. ECN NO. OR DESCRIPTION	REVISED	DATE
A PRODUCED RELEASED	Ares	2011.07.09



RECOMMENDED P.C.B. LAYOUT T=1.20
TOP VIEW (TOLERANCE: ±0.05)

STAND OFF AREA



- SPECIFICATIONS:
- ELECTRICAL CHARACTERISTICS:
 - RATING: 36V AC, 1A DC.
 - CONTACT RESISTANCE: 50m Ω MAX.
 - DELECTRIC WITHSTANDING VOLTAGE: 500V AC FOR ONE MINUTE.
 - INSULATION RESISTANCE: 100MΩ MIN. MEASURED BY 500 VDC
 - MECHANICAL CHARACTERISTICS:
 - INSERTION FORCE : 0.4~3.0 KGf
 - WITHDRAWAL FORCE : 0.4~3.0 KGf
 - LIFE TEST: 5,000 CYCLES MIN.
 - OTHER GENERAL SPEC. TO REFER "2SJ2311 SERIES SPEC".
 - TO CONFORM TO THE SINGATRON HAZARDOUS SUBSTANCE FREE SPEC.
 - HALOGEN FREE PRODUCT IDENTIFICATION MARK ON JACK: ○
 - HALOGEN FREE PRODUCT IDENTIFICATION LABEL ON PACKAGING:
 - FOR REFLOW SOLDERING LEAD-FREE PROCESS.
 - PACKAGING:TAPE & REEL.



G	WTLAR	1	3M 347 0.051		
F	TRANSFER TERMINAL	1	COPPER ALLOY 0.20T	GOLD FLASH	
E	WAKE TERMINAL	1	COPPER ALLOY 0.20T	GOLD FLASH	
D	RING	1	COPPER ALLOY 0.20T	GOLD FLASH	
C	TIP	1	COPPER ALLOY 0.25T	GOLD FLASH	
B	EARTH	1	COPPER ALLOY 0.20T	NI	
A	BODY	1	HIGH TEMP THERMOPLASTIC UL 94V-0	BLACK	
NO	DESCRIPTION	QTY	MATERIAL	PLATING & COLOR	
UNLESS OTHERWISE SPECIFIED TOLERANCES					
Singatron Enterprise Co., Ltd. 信音企業股份有限公司					
TITLE		3.50 PHONE JACK			
DWN	ARES	PART NO.	2SJ2311-004111F		
CHKD	Whikon	SCALE	1:1	UNIT:	mm
APVD	Uico	SIZE:	A3	SHEET:	10F1
REV: A					
CUSTOMER COPY					