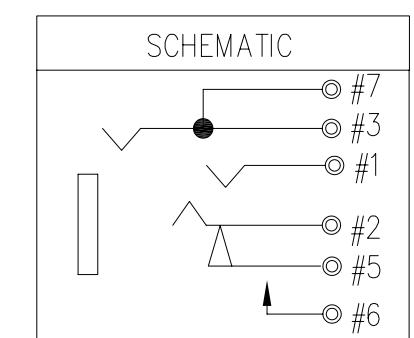
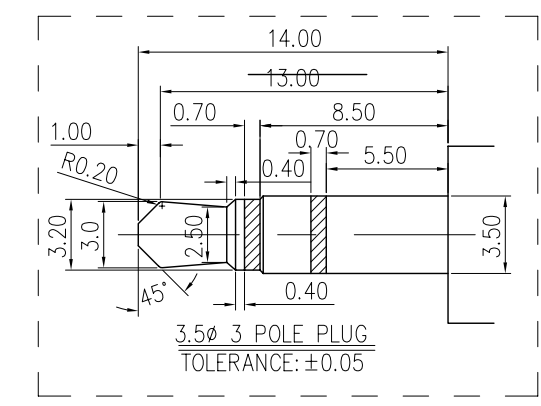


RECOMMENDED P.C.B. LAYOUT T=1.20
TOP VIEW (TOLERANCE: ±0.05)



| REV. | ECN NO OR DESCRIPTION | REVISED | DATE |
|------|--|---------|------------|
| A | PRODUCED RELEASED | Cheney | 2015.09.02 |
| B | ECN NO.: C150173 ADD NICKEL THICKNESS FOR CUSTOMER REQUEST | Cheney | 2015.11.12 |

- SPECIFICATIONS:
- ELECTRICAL CHARACTERISTICS:
 - RATING: 36V, 1A
 - CONTACT RESISTANCE: 50mΩ MAX.
 - DIELECTRIC WITHSTANDING VOLTAGE: 500V AC FOR ONE MINUTE.
 - INSULATION RESISTANCE: 100 MEGOHMS BY 500V DC.
 - MECHANICAL CHARACTERISTICS:
 - INSERTION FORCE: 0.4~3.0 KGF
 - WITHDRAWAL FORCE: 0.35~2.0 KGF
 - LIFE TEST: 5,000 CYCLES
 - OTHER GENERAL SPEC. TO REFER "2SJ2311-006111F SPEC".
 - TO CONFORM TO THE SINGATRON HAZARDOUS SUBSTANCE FREE SPEC.
 - HALOGEN FREE PRODUCT IDENTIFICATION MARK ON JACK:
 - HALOGEN FREE PRODUCT IDENTIFICATION LABEL ON PACKAGING:
 - FOR REFLOW SOLDERING LEAD-FREE PROCESS.
 - DATE CODE: YMD
 - Day
 - Month
 - Year

| NO | DESCRIPTION | QTY | MATERIAL | PLATING & COLOR |
|----|-------------------|-----|--------------------|--|
| H | MYLAR | 1 | MYLAR 0.10T | |
| G | SHIELD | 1 | C5210-EH 0.20T | Ni PLATING |
| F | TRANSFER TERMINAL | 1 | C5210-EH 0.20T | |
| E | MAKE TERMINAL | 1 | C5210-EH 0.20T | Au 30u" on contact area And Gold flash on solder tail, NICKEL 50u" MIN. UNDER PLATED |
| D | RING | 1 | C5210-H 0.20T | |
| C | TIP | 1 | C5210-EH 0.25T | |
| B | EARTH | 1 | C5210-EH 0.20T | Au 30u" on contact area Gold flash all over NICKEL 50u" MIN. UNDER PLATED |
| A | BODY | 1 | PA4T+30%GF UL94V-0 | BLACK |

| | | | |
|---------------------------------------|-----------|--|-----------------------------|
| UNLESS OTHERWISE SPECIFIED TOLERANCES | | Singatron Enterprise Co., Ltd. 信音企業股份有限公司 | |
| DECIMALS: | ANGLES: | TITLE | 3.5φ PHONE JACK |
| X : ±0.5 | X : ±2° | DWN | PART NO. 2SJ2311-006111F |
| X.X : ±0.3 | X.X : ±1° | CHKD | SCALE 1:1 UNIT: mm |
| X.XX : ±0.2 | | APVD | SIZE: A3 SHEET: 10F1 REV: B |
| CUSTOMER COPY | | | |