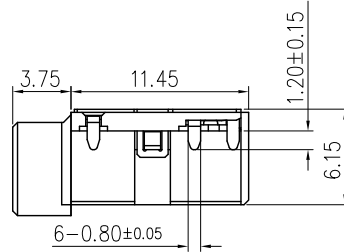
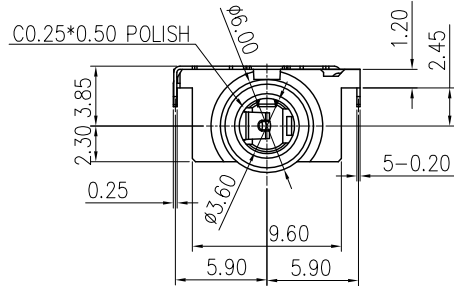
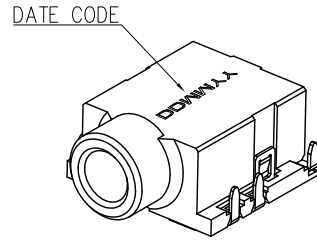
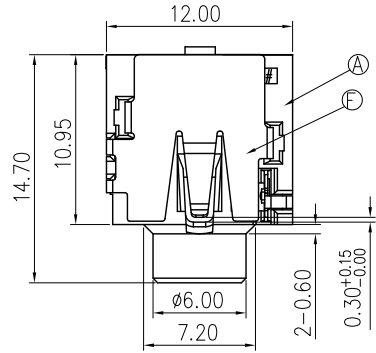

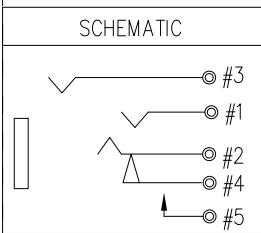
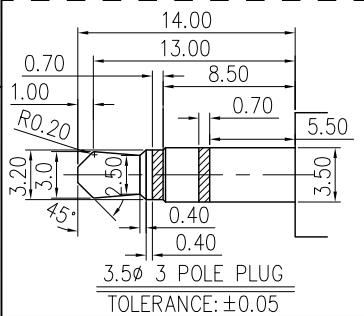
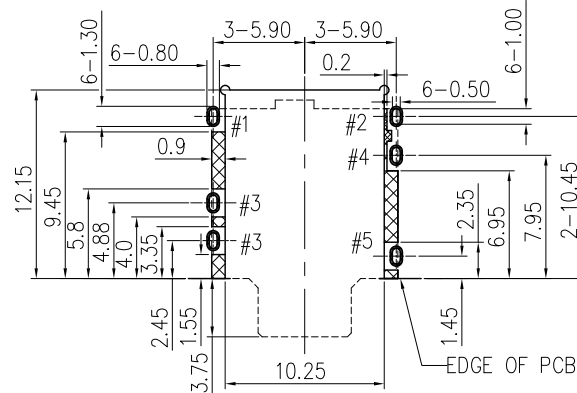
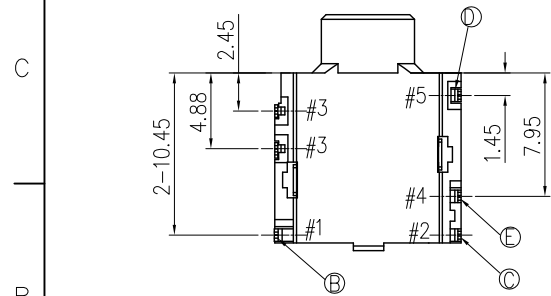


REV.	ECN NO OR DESCRIPTION	REVISED	DATE
A	PRODUCT RELEASE	BILLY	2012.11.28


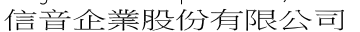


SPECIFICATIONS:

- ELECTRICAL CHARACTERISTICS:
  - RATING: 12V, 1A.
  - CONTACT RESISTANCE: 50mΩ MAX.
  - DIELECTRIC WITHSTANDING VOLTAGE: 500V AC FOR ONE MINUTE.
  - INSULATION RESISTANCE: 100MΩ MIN. MEASURED BY 500 VDC
- MECHANICAL CHARACTERISTICS:
  - INSERTION FORCE : 0.4~3.0 KGF
  - WITHDRAWAL FORCE : 0.3~2.0 KGF
- LIFE TEST: 5,000 CYCLES MIN.
- OTHER GENERAL SPEC. TO REFER "2SJ2311 SERIES SPEC".
- TO CONFORM TO THE SINGATRON HAZARDOUS SUBSTANCE FREE SPEC.
- HALOGEN FREE PRODUCT IDENTIFICATION MARK ON JACK: Ⓞ
- HALOGEN FREE PRODUCT IDENTIFICATION LABEL ON PACKAGING: 
- FOR REFLOW SOLDERING LEAD-FREE PROCESS.
- PACKAGING: TAPE & REEL.



RECOMMENDED P.C.B. LAYOUT T=1.20  
TOP VIEW (TOLRANCE: ±0.05)

F	EARTH	1	COPPER ALLOY 0.20T	NI PLATING
E	TRANSFER TERMINAL	1	COPPER ALLOY 0.20T	GOLD FLASH ON CONTACT AREA
D	MAKE TERMINAL	1	COPPER ALLOY 0.20T	AND SOLDER TAIL AREA, ALL OVER
C	RING	1	COPPER ALLOY 0.20T	
B	TIP	1	COPPER ALLOY 0.25T	NI PLATED.
A	BODY	1	HIGH TEMP.THERMOPLASTIC UL 94V-0	BLACK
NO	DESCRIPTION	QTY	MATERIAL	PLATING & COLOR
UNLESS OTHERWISE SPECIFIED TOLERANCES			 Singatron Enterprise Co., Ltd. 	
DECIMALS:		ANGLES:	TITLE	
X	: ±0.5	X	: ±2°	3.5φ PHONE JACK
X.X	: ±0.3	X.X	: ±1°	DWN BILLY 2012.12.05 PART NO. 2SJ2311-011111F
X.XX	: ±0.2			CHKD ZJZ 2012.12.05 SCALE B:1 UNIT: mm
				APVD LIAO 2012.12.07 SIZE: A3 SHEET: 10F1 REV: A
CUSTOMER COPY				