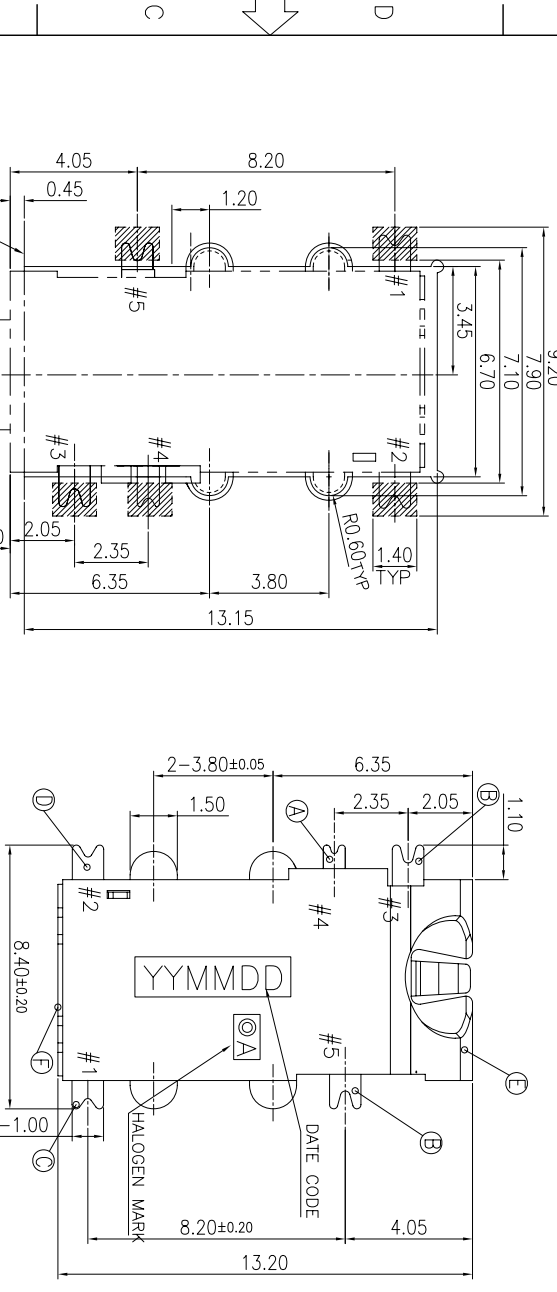
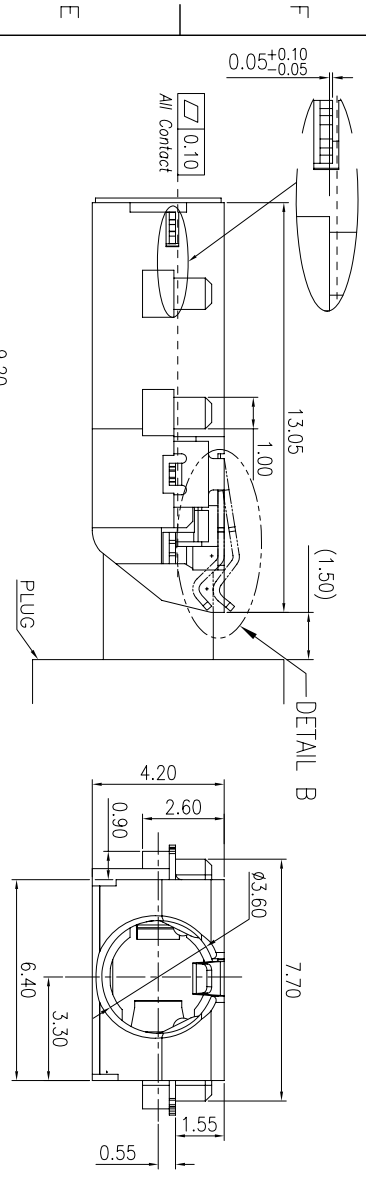
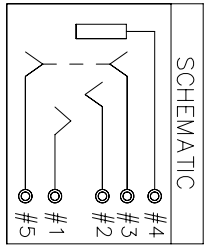
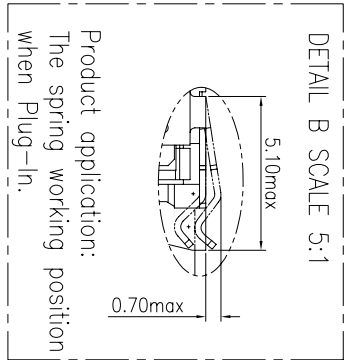
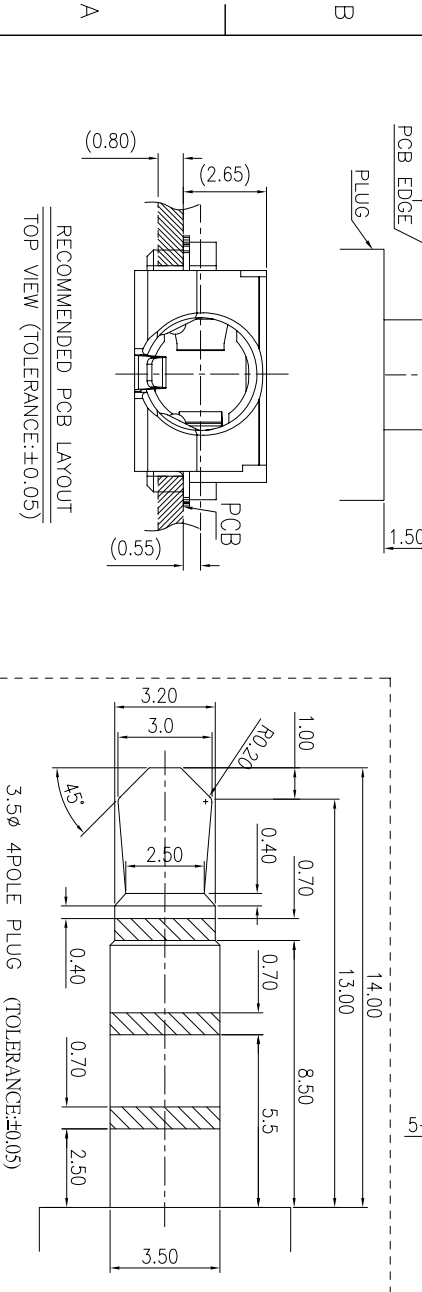


REV. ECN NO. OR DESCRIPTION	REVISED DATE
A PRODUCT RELEASE	WEIQG 2012.05.07



- SPECIFICATIONS:
1. ELECTRICAL CHARACTERISTICS:
- 1-1. RATING: 12V/1A
 - 1-2. CONTACT RESISTANCE: 30mΩ MAX.(INITIAL)
 - 1-3. DIELECTRIC WITHSTANDING VOLTAGE: 500V AC FOR ONE MINUTE.
 - 1-4. INSULATION RESISTANCE: 100MΩ MIN. MEASURED BY 500 VDC
2. MECHANICAL CHARACTERISTICS:
- 2-1. INSERTION FORCE : 0.3~3.0 KGF
 - 2-2. WITHDRAWAL FORCE : 0.3~3.0 KGF
3. LIFE TEST: 5,000 CYCLES MIN.
4. OTHER GENERAL SPEC. TO REFER "2SU2317-002111F SPEC".
5. TO CONFORM TO THE SINGATRON HSF SPEC.
6. HALOGEN FREE PRODUCT IDENTIFICATION MARK ON PRODUCT:
7. HALOGEN FREE PRODUCT IDENTIFICATION LABEL ON PACKAGING:
8. FOR REFLOW SOLDERING LEAD-FREE PROCESS.
9. PACKAGING: TAPE & REEL



F	COVER	1	STAINLESS STEEL	N/A
E	BODY	1	HI-TEMP THERMOPLASTIC U94V-0	BLACK
D	RING SPRING A	1	COPPER ALLOY 0.2t	GOLD FLASH
C	TIP SPRING	1	COPPER ALLOY 0.2t	GOLD FLASH
B	RING SPRING B	2	COPPER ALLOY 0.2t	GOLD FLASH
A	EARTH	1	COPPER ALLOY 0.2t	GOLD FLASH
NO	DESCRIPTION	QTY	MATERIAL	PLATING & COLOR

UNLESS OTHERWISE SPECIFIED TOLERANCES

DECIMALS: ANGLES:

X : ±0.5 X : ±2°
X.X : ±0.3 X.X : ±1°
X.XX : ±0.2

Singatron Enterprise Co., Ltd.
信亨企業股份有限公司

3.5Ø PHONE JACK

PART NO. 2SU2317-002111F

SCALE 5:1

SIZE: A3

SHEET: 10F1

REV. A

CUSTOMER COPY