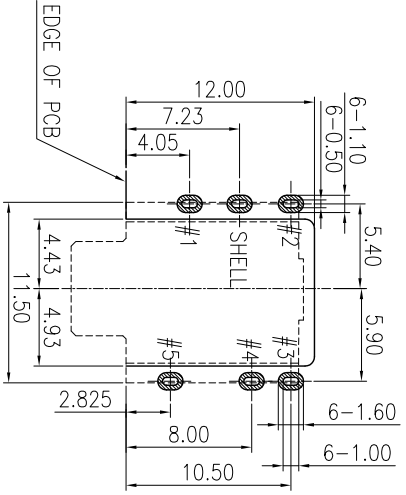
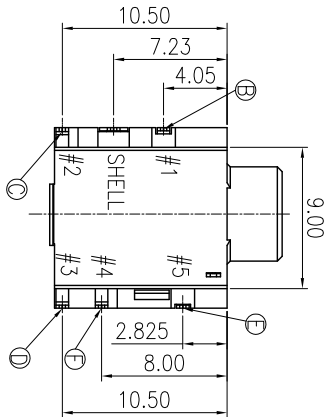
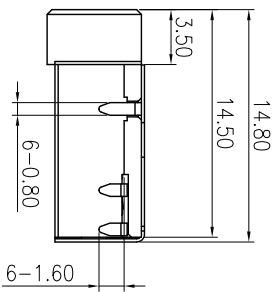
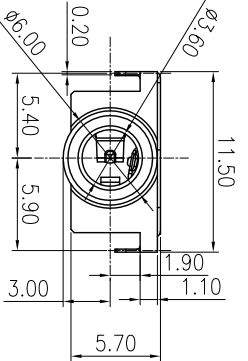
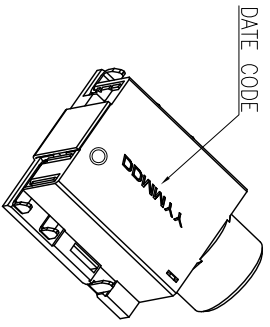
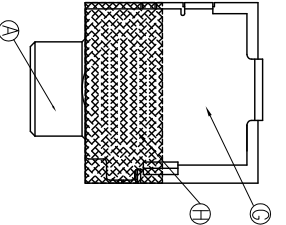
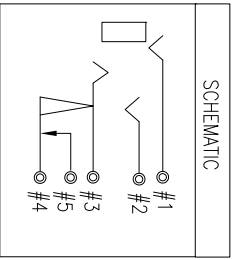
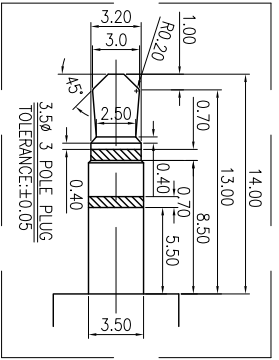


REV.	ECN NO OR DESCRIPTION	REVISED	DATE
A	PRODUCTS RELEASE	Kim	2010.06.23
B	ECN:c120070 MODIFY PLATING	Longjiang	2012.03.15



RECOMMENDED P.C.B. LAYOUT T=1.00  
TOP VIEW (TOLERANCE: ±0.05)



- SPECIFICATIONS:
- ELECTRICAL CHARACTERISTICS:
    - RATING: 12V AC, 1A DC.
    - CONTACT RESISTANCE: 50m Ω MAX.
    - DIELECTRIC WITHSTANDING VOLTAGE: 500V AC FOR ONE MINUTE.
    - INSULATION RESISTANCE: 100MΩ MIN. MEASURED BY 500 VDC.
  - MECHANICAL CHARACTERISTICS:
    - INSERTION FORCE : 0.4~3.0 KGF
    - WITHDRAWAL FORCE : 0.3~2.0 KGF
    - LIFE TEST: 5,000 CYCLES MIN.
    - OTHER GENERAL SPEC. TO REFER "2SJ2318 SERIES SPEC".
    - TO CONFORM TO THE SINGATRON HAZARDOUS SUBSTANCE FREE SPEC.
    - HALOGEN FREE PRODUCT IDENTIFICATION LABEL ON JACK: ☉
    - HALOGEN FREE PRODUCT IDENTIFICATION LABEL ON PACKAGING:
    - FOR REFLOW SOLDERING LEAD-FREE PROCESS.
  - DATE CODE: YYMMDD



NO	DESCRIPTION	QTY	MATERIAL	PLATING & COLOR
A	BODY	1	HIGH TEMP.THERMOPLASTIC UL 94V-0	BLACK
H	WTLAR	1	3M 347 0.10T	YELLOW COLOR
G	SHIELD	1	COPPER ALLOY 0.20T	Ni PLATING
F	TRANSFER TERMINAL	1	COPPER ALLOY 0.20T	
E	BREAK TERMINAL	1	COPPER ALLOY 0.20T	Gold flash on Contact area
D	RING	1	COPPER ALLOY 0.25T	And Solder tail,all over
C	HP	1	COPPER ALLOY 0.20T	Nickel plating
B	EARTH	1	COPPER ALLOY 0.20T	

UNLESS OTHERWISE SPECIFIED TOLERANCES		TITLE	
DECIMALS:	ANGLES:	3.50 PHONE JACK	
X : ±0.5	X : ±2°	PART NO. 2SJ2318-000111	
X.X : ±0.3	X.X : ±1'	SCALE 1:1	
X.XX : ±0.2		UNIT: mm	
		SHEET: 10F1	
		REV: B	

Singatron Enterprise Co., Ltd.  
 信音企業股份有限公司  
 DWN 2012.03.20  
 CHKD 2012.03.20  
 APVD 2012.03.20  
 SIZE: A3  
 SHEET: 10F1  
 REV: B  
 CUSTOMER COPY