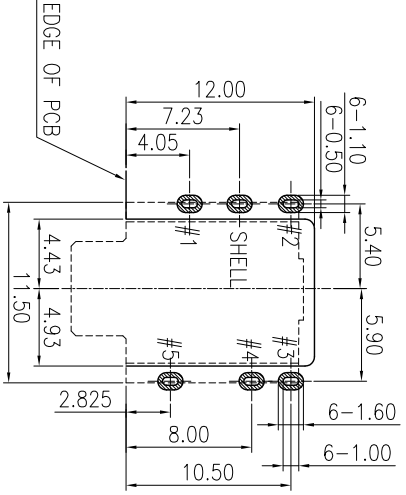
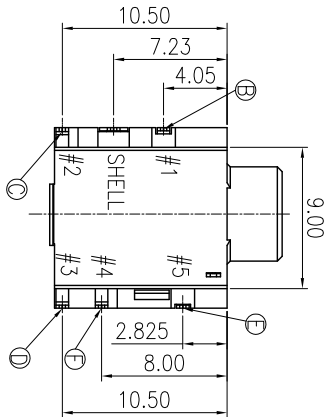
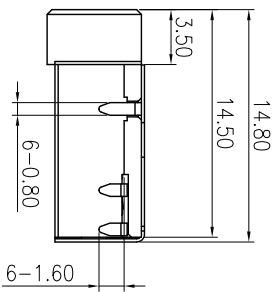
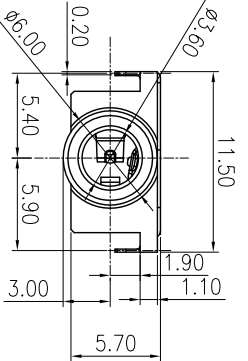
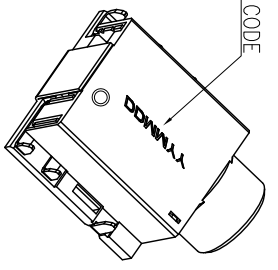
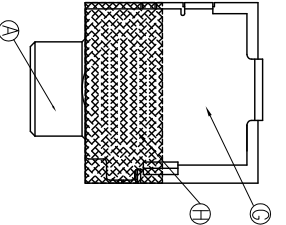
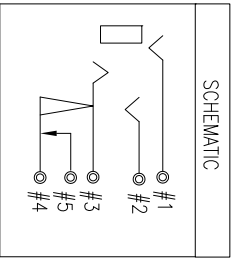
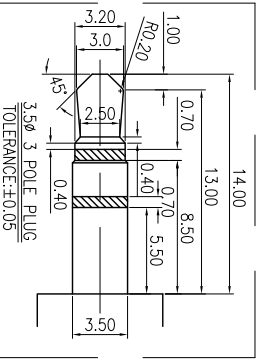


REV.	ECN NO.	OR DESCRIPTION	REVISED	DATE
A		PRODUCT RELEASE	Kim	2010/07/13
B	ECN:c120070	MODIFY PLATING	Longjiang	2012.03.15



RECOMMENDED P.C.B. LAYOUT T=1.00
TOP VIEW (TOLERANCE: ±0.05)



SPECIFICATIONS:

- ELECTRICAL CHARACTERISTICS:
 - RATING: 12V AC, 1A DC.
 - CONTACT RESISTANCE: 50m Ω MAX.
 - DIELECTRIC WITHSTANDING VOLTAGE: 500V AC FOR ONE MINUTE.
 - INSULATION RESISTANCE: 100MΩ MIN. MEASURED BY 500 VDC
- MECHANICAL CHARACTERISTICS:
 - INSERTION FORCE : 0.4~3.0 KGf
 - WITHDRAWAL FORCE : 0.3~2.0 KGf
- LIFE TEST: 5,000 CYCLES MIN.
- OTHER GENERAL SPEC. TO REFER "2SJ2318 SERIES SPEC".
- TO CONFORM TO THE SINGATRON HAZARDOUS SUBSTANCE FREE SPEC.
- HALOGEN FREE PRODUCT IDENTIFICATION MARK ON JACK: ○
- HALOGEN FREE PRODUCT IDENTIFICATION LABEL ON PACKAGING:
- FOR REFLOW SOLDERING LEAD-FREE PROCESS.
- DATE CODE: **YYMMDD**
 Day
 Month
 Year



NO	DESCRIPTION	QTY	MATERIAL	PLATING & COLOR
A	BODY	1	UL 94V-0	BLACK
H	WTLAR	1	3M 347 0.10T	YELLOW COLOR
G	SHIELD	1	COPPER ALLOY 0.20T	NI PLATING
F	TRANSFER TERMINAL	1	COPPER ALLOY 0.20T	Gold flash on Contact area and Solder tail/all over Nickel plating
E	BREAK TERMINAL	1	COPPER ALLOY 0.20T	Solder tail/all over Nickel plating
D	RING	1	COPPER ALLOY 0.20T	Au 30u min on Contact area and Nickel plating
C	PIPE	1	COPPER ALLOY 0.25T	Gold flash on solder tail/all over
B	EARTH	1	COPPER ALLOY 0.20T	Nickel plating

Singatron Enterprise Co., Ltd.
信音企業股份有限公司

TITLE		PART NO.		SCALE	UNIT	SHEET	REV.
UNLESS OTHERWISE SPECIFIED TOLERANCES		3.50 PHONE JACK		1:1	mm	10F1	B
DECIMALS:	ANGLES:	CUSTOMER COPY					
X : ±0.5	X : ±2°						
X.X : ±0.3	X.X : ±1'						
X.XX : ±0.2							