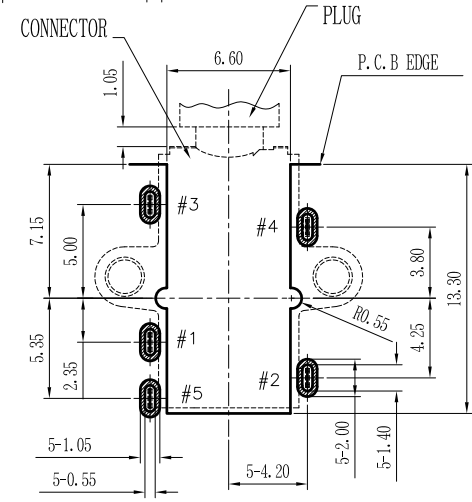
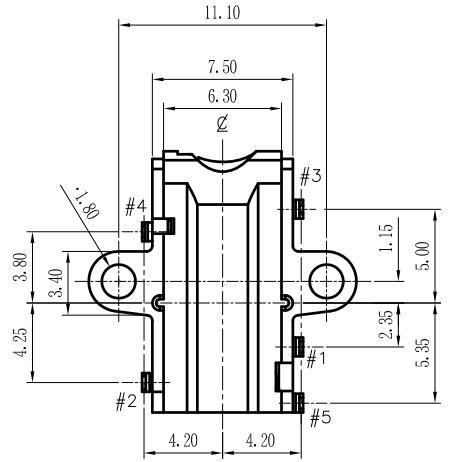
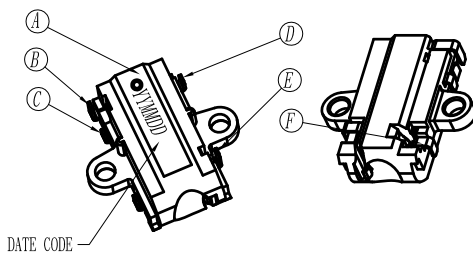
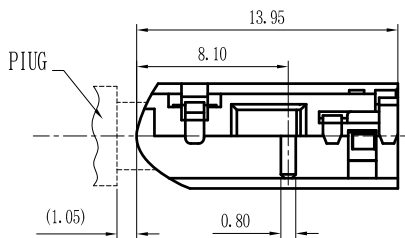
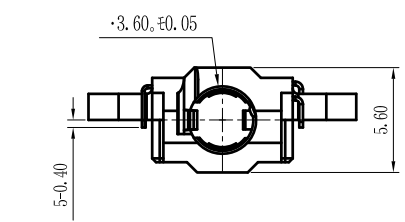
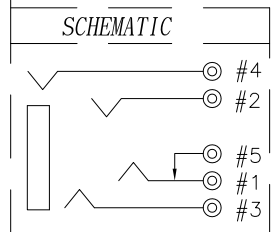
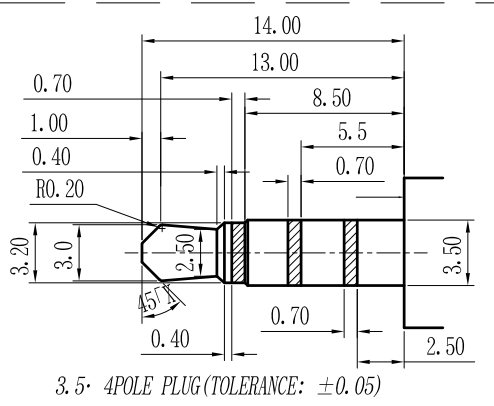


REV.	ECN NO OR DESCRIPTION	REVISED	DATE
A	PRODUCT RELEASE	Sticky-hu	2010.12.15



- SPECIFICATIONS:**
- ELECTRICAL CHARACTERISTICS:**
 - RATING: 12V 1A
 - CONTACT RESISTANCE: 30m MAX(BEFORE Ω)
 - DIELECTRIC VOLTAGE WITHSTAND: 500V AC FOR ONE MINUTE
 - INSULATION RESISTANCE: 100M MIN. MEASURED BY 500 VDC
 - MECHANICAL CHARACTERISTICS:**
 - INSERTED FORCE : 3.0 KGF MAX.
 - WITHDRAWAL FORCE : 0.3~3.0 KGF
 - LIFE TEST: 5,000 CYCLES MIN.
 - TO CONFORM TO THE SINGATRON HSF SPECIFICATION.
 - FOR REFLOW SOLDERING LEAD-FREE PROCESS.
 - HALOGEN FREE PRODUCT IDENTIFICATION MARK:
 - HALOGEN FREE PRODUCT IDENTIFICATION LABEL ON PACKAGING:
 - PACKAGING: TAPE & REEL.

RECOMMENDED P. C. B. LAYOUT
TOP VIEW (TOLERANCE: ± 0.05)



NO	DESCRIPTION	QTY	MATERIAL	PLATING & COLOR
F	RING-B	1	COPPER ALLOY 0.2T	GOLD FLASH
E	EARTH	1	COPPER ALLOY 0.15T	GOLD FLASH
D	RING-A	1	COPPER ALLOY 0.2T	GOLD FLASH
C	TIP	1	COPPER ALLOY 0.2T	GOLD FLASH
B	SHUNT	1	COPPER ALLOY 0.2T	GOLD FLASH
A	BODY	1	HI-TEMP THERMOPLASTIC	BLACK

UNLESS OTHERWISE SPECIFIED TOLERANCES

Singatron Enterprise Co., Ltd.
信音企業股份有限公司

DECIMALS:	ANGLES:	TITLE	.3.5 PHONE JACK	
X : ± 0.5	X : $\pm 2^\circ$	DWN	Silky 10.12.20	PART NO. 2SJ2321-001111
X.X : ± 0.3	X.X : $\pm 1^\circ$	CHKD	Wlkan 10.12.20	SCALE 3:1 UNIT: mm
X.XX : ± 0.2		APVD	Liao 10.12.20	SIZE: A3 SHEET: 10F1 REV: A

CUSTOMER COPY