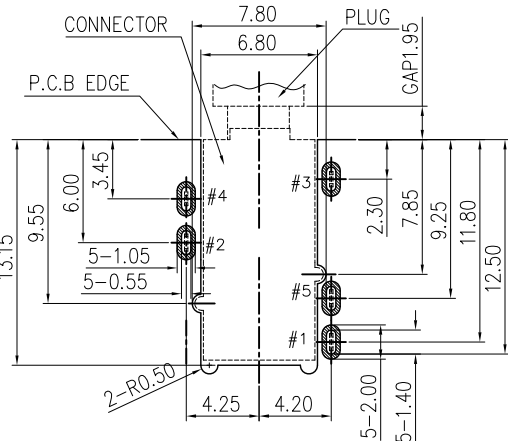
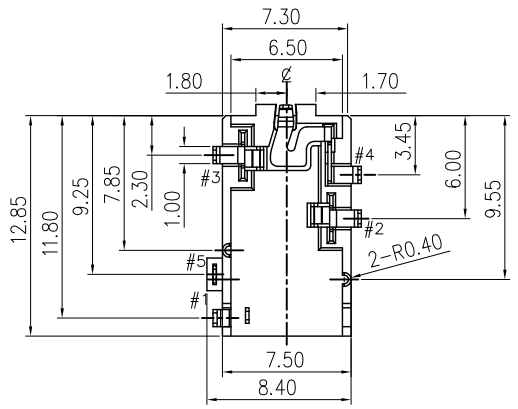
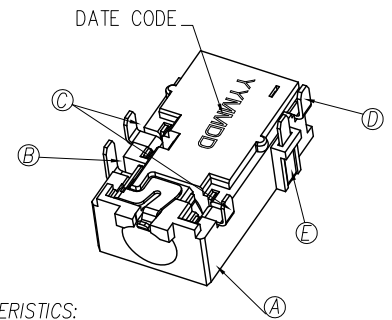
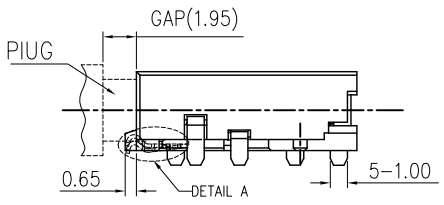
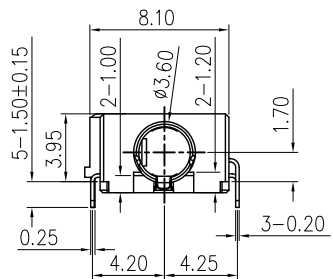
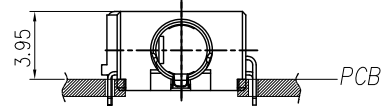


REV.	ECN NO OR DESCRIPTION	REVISED	DATE
A	PRODUCT RELEASE	WEIQG	2012.10.26

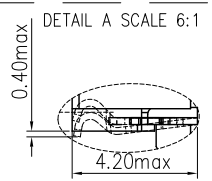
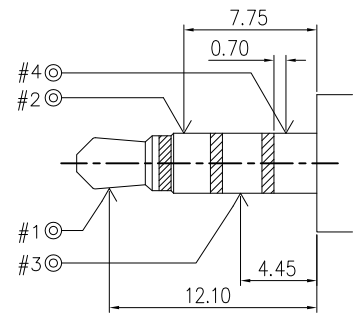


**SPECIFICATIONS:**

- ELECTRICAL CHARACTERISTICS:**
  - 1-1. RATING: 12V/1A
  - 1-2. CONTACT RESISTANCE: 30mΩ MAX(INITIAL).
  - 1-3. DIELECTRIC VOLTAGE WITHSTAND: 500V AC FOR ONE MINUTE
  - 1-4. INSULATION RESISTANCE: 100MΩ MIN. MEASURED BY 500 VDC
- MECHANICAL CHARACTERISTICS:**
  - a; Initial:
    - 2-1. INSERTED FORCE : 0.7~2.7 Kg
    - 2-2. WITHDRAWAL FORCE : 0.7~2.7 Kg
  - b; After durability test:
    - 2-1. INSERTION FORCE : 0.35kgf Min
    - 2-2. WITHDRAWAL FORCE : 0.35kgf Min
- LIFE TEST: 5,000 CYCLES MIN.**
- OTHERS TO CONFORM TO THE "3.5φ PHONE JACK SPEC" SPECIFICATION.**
- HALOGEN FREE PRODUCT IDENTIFICATION MARK:**
- HALOGEN FREE PRODUCT IDENTIFICATION LABEL ON PACKAGING:**
- FOR REFLOW SOLDERING LEAD-FREE PROCESS.**
- PACKAGING : TAPE & REEL.**

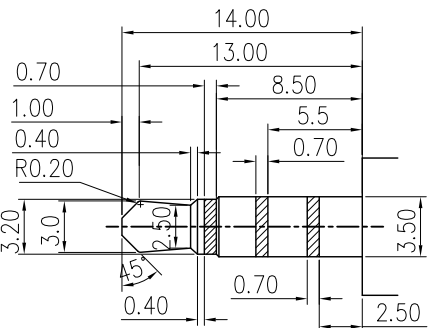
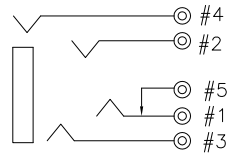


**RECOMMENDED P.C.B. LAYOUT TOP VIEW (TOLERANCE: ±0.05)**



Product application:  
The spring working position when Plug-In.

**SCHEMATIC**



**3.5φ 4POLE PLUG(TOLERANCE: ±0.05)**

E	SHUNT	1	COPPER ALLOY 0.20t	GOLD FLASH ON CONTACT AREA AND SOLDER TAIL, ALL OVER NICKEL PLATED
D	TIP-A	1	COPPER ALLOY 0.25t	
C	RING	2	COPPER ALLOY 0.2t	
B	EARTH	1	COPPER ALLOY 0.2t	
A	BODY	1	HI-TEMP THERMOPLASTIC	
NO	DESCRIPTION	QTY	MATERIAL	PLATING & COLOR

UNLESS OTHERWISE SPECIFIED TOLERANCES

Signal Enterprise Co., Ltd.  
信音企業股份有限公司

DECIMALS:	ANGLES:	TITLE	ø3.5 PHONE JACK	
X : ±0.5	X : ±2'	DWN	WEIQG 2012.10.26	<b>PART NO. 2SJ2321-018111F</b>
X.X : ±0.3	X.X : ±1'	CHKD	WINKAN 2012.10.31	SCALE 3:1 UNIT: mm
X.XX : ±0.2		APVD	LIAO 2012.11.01	SIZE: A3 SHEET: 10F1 REV: A

**CUSTOMER COPY**