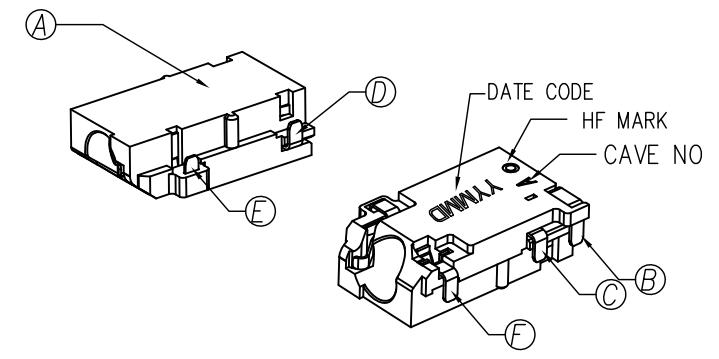
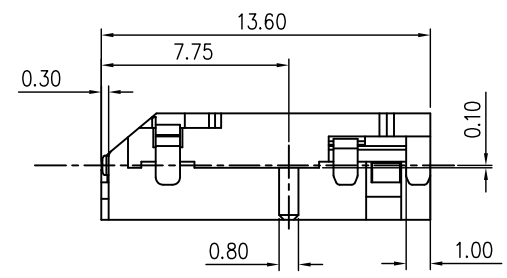
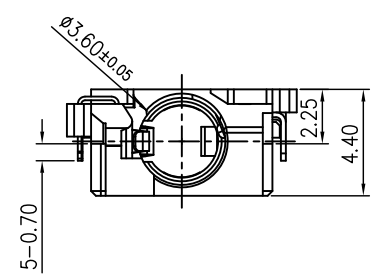
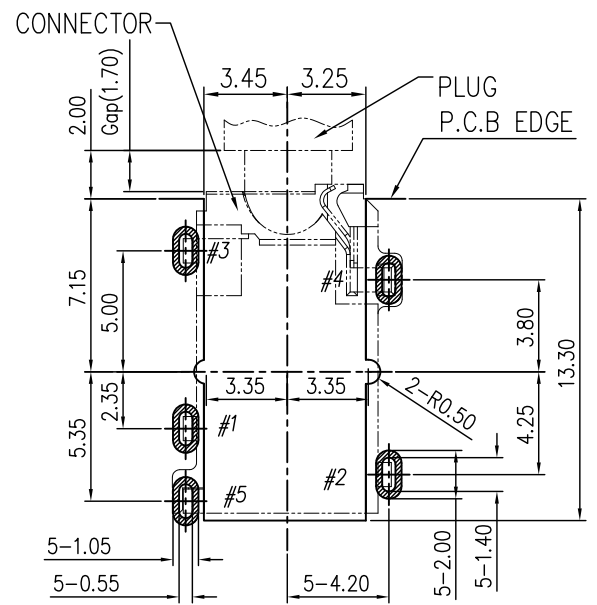
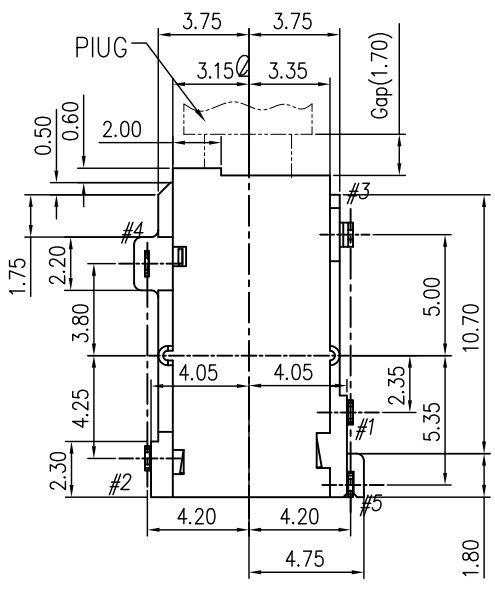


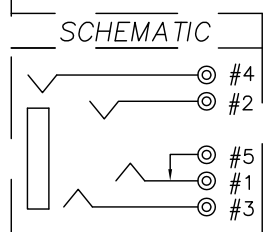
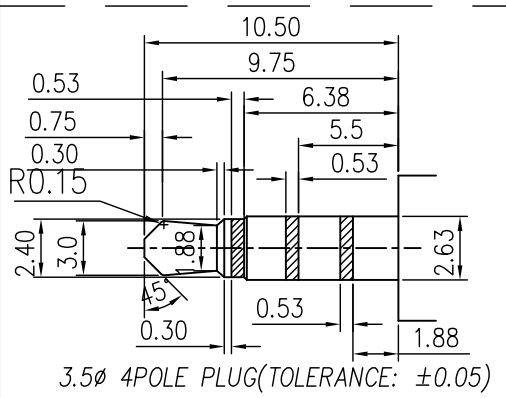
REV.	ECN NO OR DESCRIPTION	REVISED	DATE
A	PRODUCT RELEASE	LANDI	2013.04.18



- SPECIFICATIONS:**
- ELECTRICAL CHARACTERISTICS:**
    - 1-1. RATING: 12V 1A
    - 1-2. CONTACT RESISTANCE: 30mΩ MAX(INITIAL).
    - 1-3. DIELECTRIC VOLTAGE WITHSTAND: 500V AC FOR ONE MINUTE
    - 1-4. INSULATION RESISTANCE: 100MΩ MIN. MEASURED BY 500 VDC
  - MECHANICAL CHARACTERISTICS:**
    - 2-1. INSERTED FORCE : 0.3~3.0 KGF
    - 2-2. WITHDRAWAL FORCE : 0.3~3.0 KGF
  - LIFE TEST:** 5,000 CYCLES .
  - TO CONFORM TO THE SINGATRON HSF SPECIFICATION.**
  - FOR REFLOW SOLDERING LEAD-FREE PROCESS.**
  - HALOGEN FREE PRODUCT IDENTIFICATION MARK:**
  - HALOGEN FREE PRODUCT IDENTIFICATION LABEL ON PACKAGING:**
  - PACKAGING:** TAPE & REEL.



RECOMMENDED P.C.B. LAYOUT  
TOP VIEW (TOLERANCE: ±0.05)



F	RING-B	1	COPPER ALLOY 0.2T	
E	EARTH	1	COPPER ALLOY 0.15T	GOLD FLASH ON
D	RING-A	1	COPPER ALLOY 0.2T	CONTACT AREA AND
C	TIP	1	COPPER ALLOY 0.2T	SOLDER TAIL, ALL OVER
B	SHUNT	1	COPPER ALLOY 0.2T	NICKEL PLATED
A	BODY	1	HI-TEMP THERMOPLASTIC UL94V-0	BLACK
NO	DESCRIPTION	QTY	MATERIAL	PLATING & COLOR
UNLESS OTHERWISE SPECIFIED TOLERANCES			Singatron Enterprise Co., Ltd. 信音企業股份有限公司	
DECIMALS:	ANGLES:	TITLE	ø3.5 PHONE JACK	
X : ±0.5	X : ±2°	DWN	Landy 13/4/25	<b>PART NO. 2SJ2321-021111F</b>
XX : ±0.3	XX : ±1°	CHKD	Winkan 13/4/25	SCALE 4:1 UNIT: mm
XXX : ±0.2		APVD	Liao 13/4/25	SIZE: A3 SHEET: 10F1 <b>REV: A</b>
<b>CUSTOMER COPY</b>				