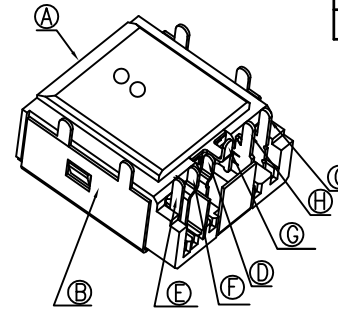
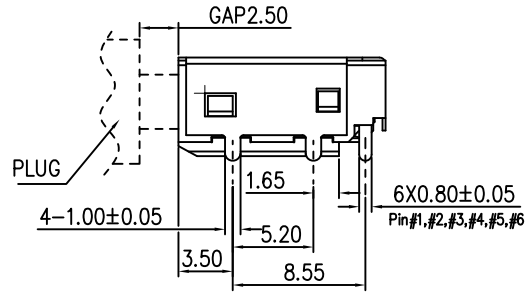
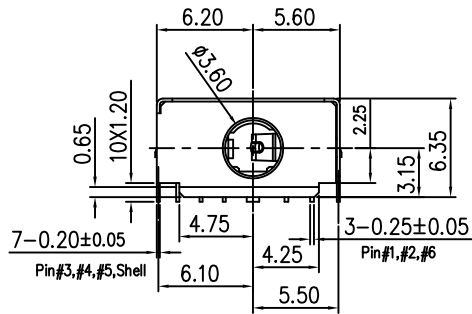
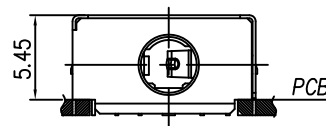
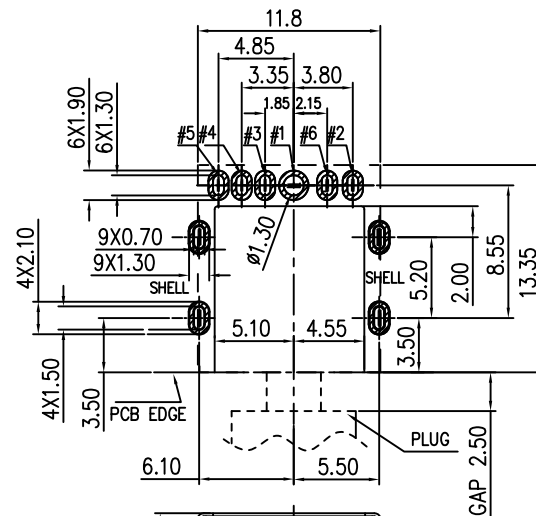
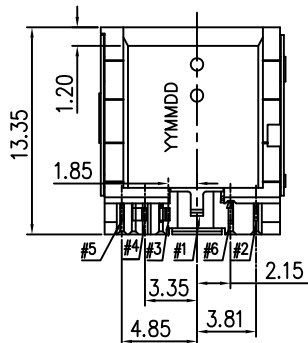


REV.	ECN NO OR DESCRIPTION	REVISED	DATE
A	PRODUCT RELEASE	ZLS	2012.8.6
B	ECN NO.:C120268 DELETE DIMENSION	ZLS	2008.01.0

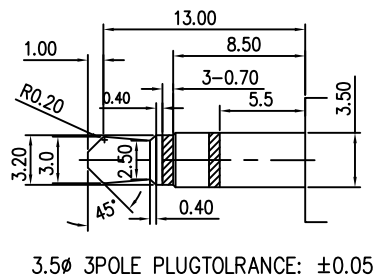


SPECIFICATIONS:

- ELECTRICAL CHARACTERISTICS:
 - 1-1. RATING: 12V, 1A.
 - 1-2. CONTACT RESISTANCE: 50mΩ MAX.
 - 1-3. DIELECTRIC WITHSTANDING VOLTAGE: 500V AC FOR ONE MINUTE.
 - 1-4. INSULATION RESISTANCE: 100MΩ MIN. MEASURED BY 500 VDC
- MECHANICAL CHARACTERISTICS:
 - 2-1. INSERTION FORCE : 0.3~3.0 KGF
 - 2-2. WITHDRAWAL FORCE : 0.3~2.0 KGF
- LIFE TEST: 5,000 CYCLES MIN.
- OTHER GENERAL SPEC. TO REFER "2SJ2323 SERIES SPEC".
- TO CONFORM TO THE SINGATRON HAZARDOUS SUBSTANCE FREE SPEC.
- HALOGEN FREE PRODUCT IDENTIFICATION MARK ON JACK:
- HALOGEN FREE PRODUCT IDENTIFICATION LABEL ON PACKAGING:
- FOR REFLOW SOLDERING LEAD-FREE PROCESS.
- PACKAGING: TAPE&REEL.

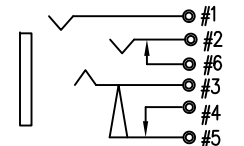


RECOMMENDED P.C.B. LAYOUT T=1.00
TOP VIEW (TOLRANCE: ±0.05)



3.5φ 3POLE PLUG TOLRANCE: ±0.05

SCHEMATIC



NO	DESCRIPTION	QTY	MATERIAL	PLATING & COLOR
H	SHUNT-A	1	COPPER ALLOY 0.25T	GOLD FLASH
G	RING-B	1	COPPER ALLOY 0.25T	
F	TRANSFER TERMINAL	1	COPPER ALLOY 0.20T	Gold Flash on contact area and solder tail, all over nickel plated
E	BREAK TERMINAL	1	COPPER ALLOY 0.20T	
D	RING-A	1	COPPER ALLOY 0.20T	
C	TIP	1	COPPER ALLOY 0.25T	
B	SHELL	1	SPCC	Ni PLATING
A	BODY	1	HIGH TEMP.THERMOPLASTIC UL 94V-0	BLACK

UNLESS OTHERWISE SPECIFIED TOLERANCES

DECIMALS:	ANGLES:
X : ±0.5	X : ±2°
X.X : ±0.3	X.X : ±1°
X.XX : ±0.2	

Singatron Enterprise Co., Ltd.
信音企業股份有限公司

TITLE	3.5φ PHONE JACK		
DWN	ZLS 2012.8.20	PART NO. 2SJ2323-003111F	
CHKD	ZLZ 2012.8.21	SCALE 1:1	UNIT: mm
APVD	LMO 2012.8.21	SIZE: A3	SHEET: 10F1 REV: B

CUSTOMER COPY