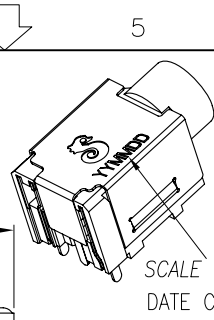
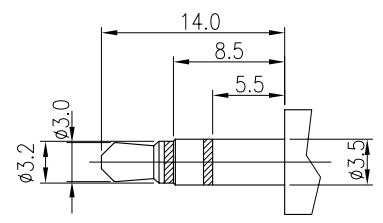
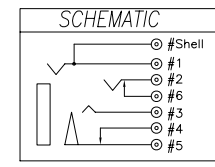
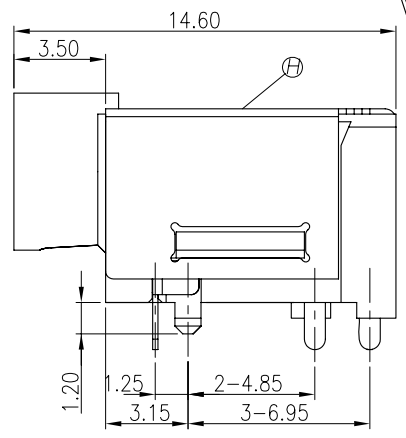
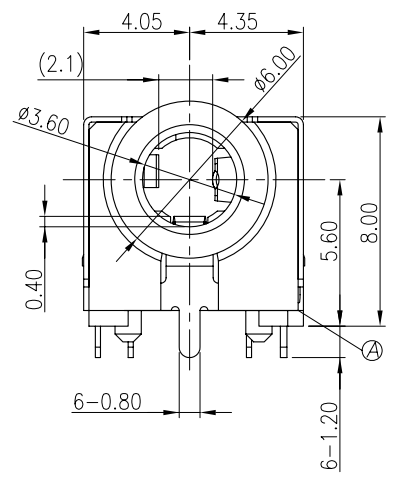


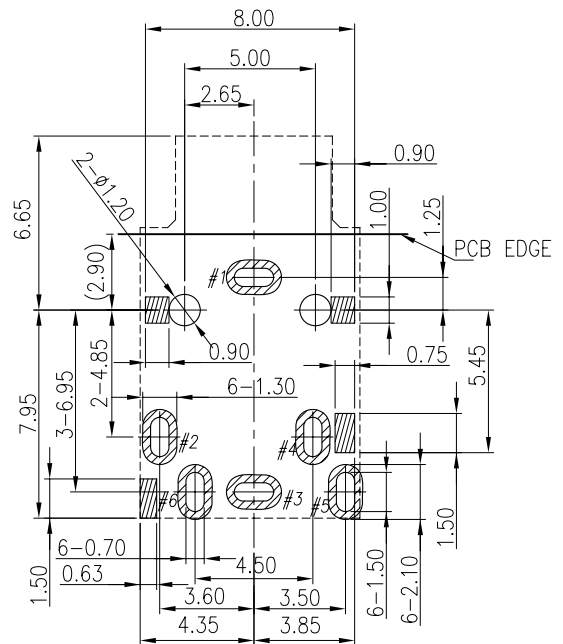
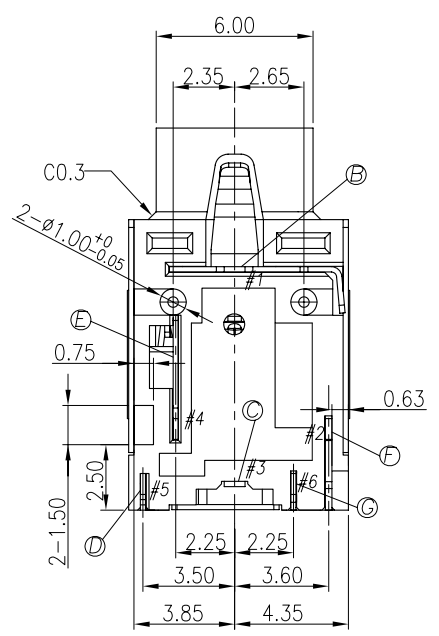
REV.	ECN NO OR DESCRIPTION	REVISED	DATE
A	PRODUCTS RELEASE	ARES	2010.09.30
B	ECN:C120147UPDATE DRAWING	DAOWEN	2012.05.08



- SPECIFICATIONS:
- ELECTRICAL CHARACTERISTICS:
 - RATING: 12V 1A
 - CONTACT RESISTANCE: 30mΩ MAX.(INITIAL)
 - DIELECTRIC WITHSTANDING VOLTAGE: 500V AC FOR ONE MINUTE.
 - INSULATION RESISTANCE: 100MΩMIN. MEASURED BY 500 VDC
 - MECHANICAL CHARACTERISTICS:
 - INSERTION FORCE : 0.3~3.0 KGF
 - WITHDRAWAL FORCE : 0.3~3.0 KGF
 - LIFE TEST: 5,000 CYCLES MIN.
 - TO CONFORM TO SINGATRON HAZARDOUS SUBSTANCE FREE SPEC.
 - HALOGEN FREE PRODUCT IDENTIFICATION MARK ON PRODUCT:
 - HALOGEN FREE PRODUCT IDENTIFICATION LABEL ON PACKAGING:
 - FOR REFLOW SOLDERING LEAD-FREE PROCESS.
 - PACKAGING: TAPE & REEL.



RECOMMENDED PLUG
SCALE 2.5:1 TOL.±0.05mm



stand-off area
Recommended PCB Layout
<TOP VIEW> TOLERANCE ±0.05

H	SHELL	1	SPCC	NI 60u" MIN
G	SHUNT TERMINAL	1	COPPER ALLOY	GOLD FLASH
F	TIP SPRING	1	COPPER ALLOY	Gold Flash On Contact Area & Solder tail, All over Nickel Plated.
E	B-TERMINAL	1	COPPER ALLOY	GOLD FLASH
D	TRANSFER	1	COPPER ALLOY	Gold Flash On Contact Area & Solder tail, All over Nickel Plated.
C	RING SPRING	1	COPPER ALLOY	GOLD FLASH
B	EARTH	1	COPPER ALLOY	Gold Flash On Contact Area & Solder tail, All over Nickel Plated.
A	BODY	1	HIGHT TEMP. THERMOPLASTIC	BLACK

UNLESS OTHERWISE SPECIFIED TOLERANCES		Singatron Enterprise Co., Ltd. 信音企業股份有限公司	
DECIMALS:	ANGLES:	TITLE	3.5ø AUDIO JACK
X : ±0.5	X : ±2°	DWN	DAOWEN 2012.05.08 PART NO. 2SJ2325-000111
X.X : ±0.3	X.X : ±1°	CHKD	ZJZ 2012.05.08 SCALE 5:1 UNIT: mm
X.XX : ±0.2		APVD	LJAO 2012.05.08 SIZE: A3 SHEET:1 OF 1 REV:B
CUSTOMER COPY			