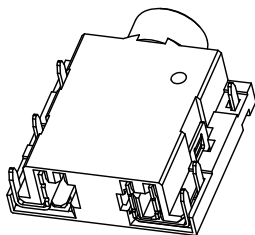
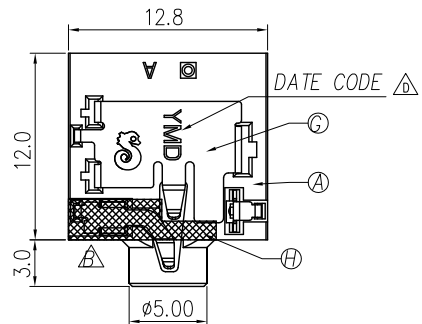


REV.	ECN NO OR DESCRIPTION	REVISED	DATE
B	ECN: C110031MODIFY MYLAR	LONGJIANG	2011.3.14
C	ECN NO: C110149-16 Modify Plating specification	LongJiang	2011.06.13
D	ECN NO: C140032 UPDATE DATE CODE	ZLS	2014.7.14



**SPECIFICATIONS:**

**1. ELECTRICAL CHARACTERISTICS:**

- 1-1. RATING: 12V AC, 1A DC.
- 1-2. CONTACT RESISTANCE: 50mΩ MAX.
- 1-3. DIELECTRIC WITHSTANDING VOLTAGE: 500V AC FOR ONE MINUTE.
- 1-4. INSULATION RESISTANCE: 100MΩ MIN. MEASURED BY 500 VDC

**2. MECHANICAL CHARACTERISTICS:**

- 2-1. INSERTION FORCE : 0.4~3.0 KGF
- 2-2. WITHDRAWAL FORCE : 0.3~2.0 KGF

**3. LIFE TEST: 5,000 CYCLES MIN.**

**4. OTHER GENERAL SPEC. TO REFER "2SJ2285 SERIES SPEC".**

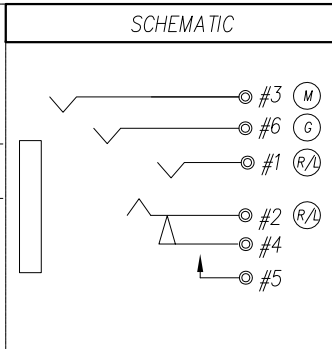
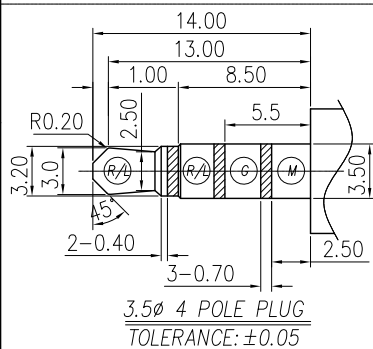
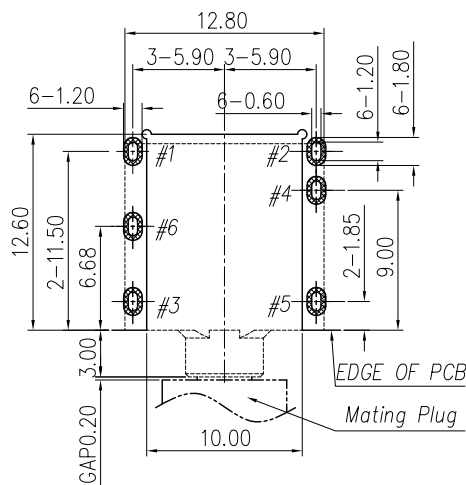
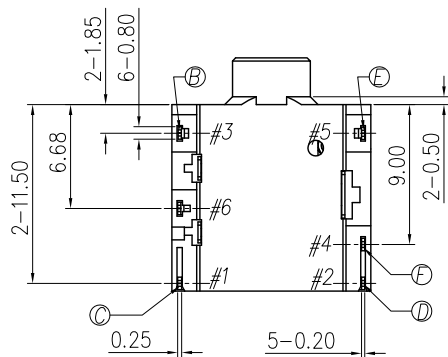
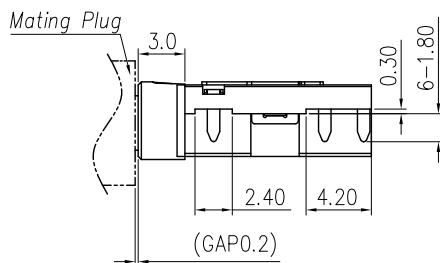
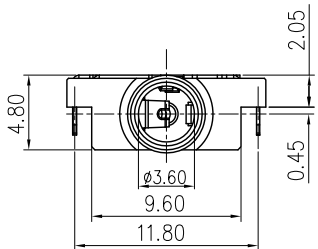
**5. TO CONFORM TO THE SINGATRON HAZARDOUS SUBSTANCE FREE SPEC.**

**6. HALOGEN FREE PRODUCT IDENTIFICATION MARK ON JACK: (Symbol)**

**7. HALOGEN FREE PRODUCT IDENTIFICATION LABEL ON PACKAGING: (Symbol)**

**8. FOR REFLOW SOLDERING LEAD-FREE PROCESS.**

**9. PACKAGING: TAPE & REEL**



RECOMMENDED P.C.B. LAYOUT T=1.20  
TOP VIEW (TOLERANCE: ±0.05)

H	MYLAR	1	0.075T	TRANSPARENT
G	SHIELD	1	COPPER ALLOY 0.20T	Au 5u" on contact area all over Nickel Plated
F	TRANSFER TERMINAL	1	COPPER ALLOY 0.20T	Au 5u" on contact area and gold flash on Solder tail, all over Nickel Plated
E	MAKE TERMINAL	1	COPPER ALLOY 0.20T	Au 5u" on contact area and gold flash on other area
D	RING	1	COPPER ALLOY 0.20T	Au 5u" on contact area and gold flash on Solder tail, all over Nickel Plated
C	TIP	1	COPPER ALLOY 0.25T	Au 5u" on contact area and gold flash on Solder tail, all over Nickel Plated
B	EARTH	1	COPPER ALLOY 0.20T	Au 5u" on contact area and gold flash on other area
A	BODY	1	HIGH TEMP.THERMOPLASTIC UL 94V-0	BLACK
NO	DESCRIPTION	QTY	MATERIAL	PLATING & COLOR
UNLESS OTHERWISE SPECIFIED TOLERANCES			Singatron Enterprise Co., Ltd. 信音企業股份有限公司	
DECIMALS: X : ±0.5 X.X : ±0.3 X.XX : ±0.2		ANGLES: X : ±2° X.X : ±1°		TITLE: 3.5φ PHONE JACK ( FOR 仁寶 ) DWN: ZLS 14/7/21 PART NO. 2SJ2326-000112 CHKD: BILLY 14/7/21 SCALE 3:1 UNIT: mm APVD: Liao 14/7/21 SIZE: A3 SHEET: 10F1 REV: D
CUSTOMER COPY				