

SPECIFICATIONS:

1. ELECTRICAL CHARACTERISTICS:

- 1-1. RATING: 12V, 1A.
- 1-2. CONTACT RESISTANCE: 50mΩ MAX.
- 1-3. DIELECTRIC WITHSTANDING VOLTAGE: 500V AC FOR ONE MINUTE.
- 1-4. INSULATION RESISTANCE: 100MΩ MIN. MEASURED BY 500 VDC.

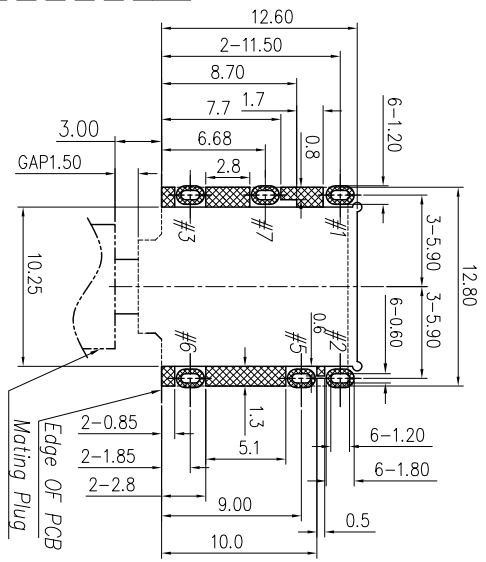
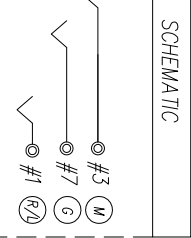
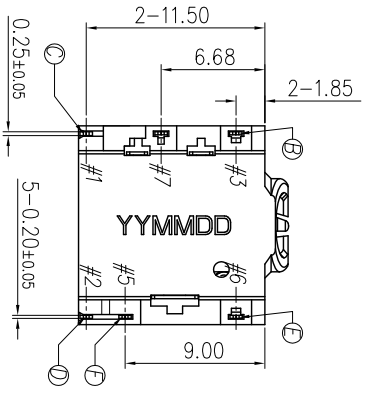
2. MECHANICAL CHARACTERISTICS:

- 2-1. INSERTION FORCE : 0.4~3.0 KGf
- 2-2. WITHDRAWAL FORCE : 0.3~2.0 KGf

3. LIFE TEST: 5,000 CYCLES MIN.

4. OTHER GENERAL SPEC. TO REFER "25J2285 SERIES SPEC."

- 5. TO CONFORM TO THE SINGATRON HAZARDOUS SUBSTANCE FREE SPEC.
- 6. HALOGEN FREE PRODUCT IDENTIFICATION MARK ON JACK:
- 7. HALOGEN FREE PRODUCT IDENTIFICATION LABEL ON PACKAGING:
- 8. FOR REFLOW SOLDERING LEAD-FREE PROCESS.
- 9. PACKAGING: TAPE&REEL.



Edge Of PCB
Mating Plug

RECOMMENDED P.C.B. LAYOUT T=1.20
TOP VIEW (TOLERANCE: ±0.05)

STAND OFF

3.5Ø 4 POLE PLUG
TOLERANCE: ±0.05

REV	ECN NO OR DESCRIPTION	REVISED	DATE
A	PRODUCT RELEASE	ZLS	2012.10.13

NO	DESCRIPTION	QTY	MATERIAL	PLATING & COLOR
H	MYLAR	1	THICKNESS 0.075T	YELLOW
G	SHIELD	1	COPPER ALLOY 0.20T	Gold flash on contact area all over Nickel Plated
F	TRANSFER TERMINAL	1	COPPER ALLOY 0.20T	Gold flash on contact area and Solder fill all over Nickel Plated
E	MAKE TERMINAL	1	COPPER ALLOY 0.20T	Gold flash on contact area and Solder fill all over Nickel Plated
D	RING	1	COPPER ALLOY 0.20T	Gold flash on contact area and Solder fill all over Nickel Plated
C	TIP	1	COPPER ALLOY 0.25T	Gold flash on contact area and Solder fill all over Nickel Plated
B	EARTH	1	COPPER ALLOY 0.20T	Gold Flash
A	BODY	1	HIGH TEMP THERMOPLASTIC UL 94V-0	Black

UNLESS OTHERWISE SPECIFIED TOLERANCES

Singatron Enterprise Co., Ltd.
信音企業股份有限公司

TITLE: 3.5Ø PHONE JACK

DWN Zls 12.10.17 PART NO. 25J2326-023111F

CHKD Zls 12.10.17 SCALE 3:1 UNIT: mm

APVD luso 12.10.17 SIZE: A3 SHEET: 10F1 REV: A

CUSTOMER COPY