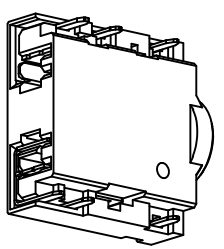
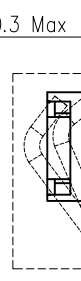


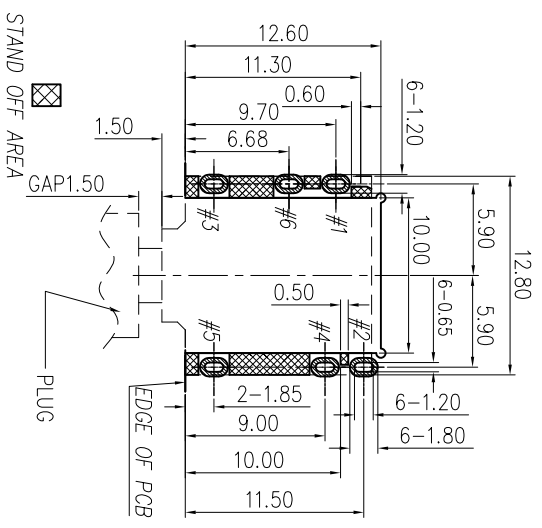
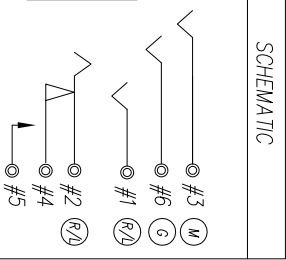
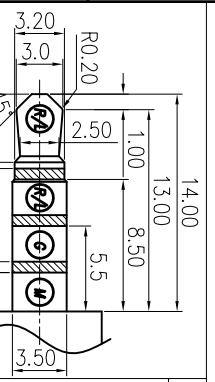
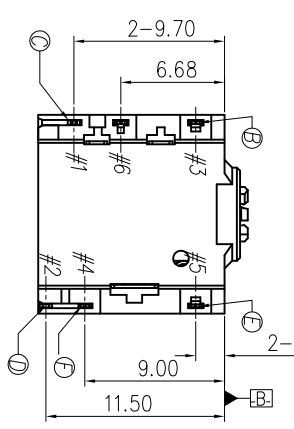
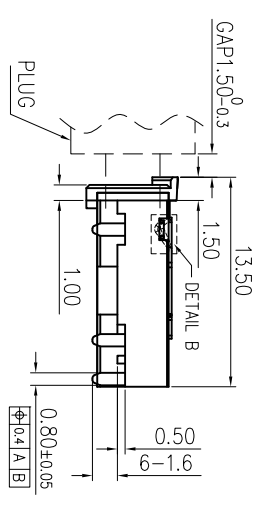
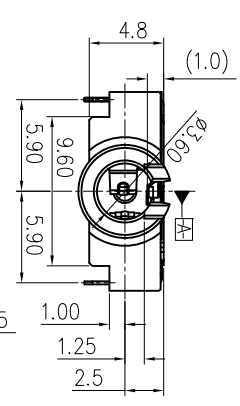
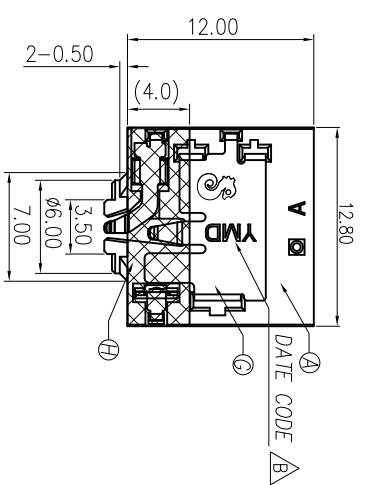
REV	ECN NO OR DESCRIPTION	REVISED	DATE
A	PRODUCT RELEASE	ZLS	2013.02.28
B	ECN NO.: C140032 UPDATE DATE CODE	ZLS	2014.7.14



Product application:
The spring working position when Plug-In.



DETAIL B SCALE 5:1



RECOMMENDED P.C.B. LAYOUT T=1.00
TOP VIEW (TOLERANCE: ±0.05)

- SPECIFICATIONS:
- ELECTRICAL CHARACTERISTICS:
 - RATING: 12V, 1A.
 - CONTACT RESISTANCE: 50mΩ MAX.
 - DIELECTRIC WITHSTANDING VOLTAGE: 500V AC FOR ONE MINUTE.
 - INSULATION RESISTANCE: 100MΩ MIN. MEASURED BY 500 VDC.
 - MECHANICAL CHARACTERISTICS:
 - INSERTION FORCE : 0.4~3.0 KGF
 - WITHDRAWAL FORCE : 0.3~2.0 KGF
 - LIFE TEST: 5,000 CYCLES MIN.
 - OTHER GENERAL SPEC. TO REFER "2SJ2285 SERIES SPEC."
 - TO CONFORM TO THE SINGATRON HAZARDOUS SUBSTANCE FREE SPEC.
 - HALOGEN FREE PRODUCT IDENTIFICATION MARK ON JACK: Ⓢ
 - HALOGEN FREE PRODUCT IDENTIFICATION LABEL ON PACKAGING: Ⓢ
 - FOR REFLOW SOLDERING LEAD-FREE PROCESS.
 - PACKAGING: TAPE&REEL.



H	MYLAR	1	MYLAR 0.075T	YELLOW
G	SHIELD	1	COPPER ALLOY 0.20T	Sr/Au on contact area Ni over Nickel Plated
F	TRANSFER TERMINAL	1	COPPER ALLOY 0.20T	Sr/Au on contact area and G/F on Solder tellall over Nickel Plated
E	MAKE TERMINAL	1	COPPER ALLOY 0.20T	Sr/Au on contact area and G/F on Solder tellall over Nickel Plated
D	RING	1	COPPER ALLOY 0.20T	Sr/Au on contact area and G/F on Solder tellall over Nickel Plated
C	TIP	1	COPPER ALLOY 0.25T	Sr/Au on contact area and G/F on Solder tellall over Nickel Plated
B	EARTH	1	COPPER ALLOY 0.20T	Sr/Au on contact area and G/F on Solder tellall over Nickel Plated
A	BODY	1	HIGH TEMP THERMOPLASTIC UL 94V-0	BLACK

Singatron Enterprise Co., Ltd.
信音企業股份有限公司

NO	DESCRIPTION	QTY	MATERIAL	PLATING & COLOR
UNLESS OTHERWISE SPECIFIED TOLERANCES				
DECIMALS:		ANGLES:		
X	:±0.5	X	:±2°	
X.X	:±0.3	X.X	:±1°	
X.XX	:±0.2			
TITLE	3.50 PHONE JACK			
DWN	ZLS 14/7/21	PART NO.	2SJ2326-025111F	
CHKD	BILLY 14/7/21	SCALE	3:1	
APVD	Liao 14/7/21	SIZE:	A3	SHEET: 10F1
REV: B				

CUSTOMER COPY