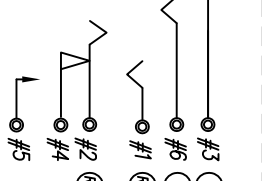
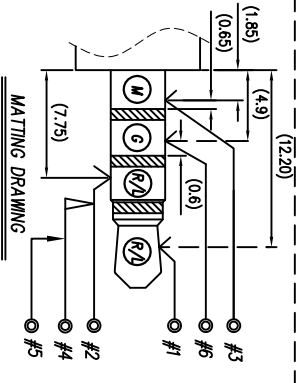


SCHEMATIC



RECOMMENDED P.C.B. LAYOUT T=1.20
TOP VIEW (TOLERANCE: ±0.05)



SPECIFICATIONS:

1. ELECTRICAL CHARACTERISTICS:
 - 1-1. RATING: 12V, 1A.
 - 1-2. CONTACT RESISTANCE: 50mΩ MAX.
 - 1-3. DIELECTRIC WITHSTANDING VOLTAGE: 500V AC FOR ONE MINUTE.
 - 1-4. INSULATION RESISTANCE: 100MΩ MIN. MEASURED BY 500 VDC.
2. MECHANICAL CHARACTERISTICS:
 - 2-1. INSERTION FORCE : 0.4~3.0 KGf
 - 2-2. WITHDRAWAL FORCE : 0.3~2.0 KGf
3. LIFE TEST: 5,000 CYCLES MIN.
4. OTHER GENERAL SPEC. TO REFER "2SJ2285 SERIES SPEC".
5. TO CONFORM TO THE SINGATRON HAZARDOUS SUBSTANCE FREE SPEC.
6. HALOGEN FREE PRODUCT IDENTIFICATION MARK ON JACK:
7. HALOGEN FREE PRODUCT IDENTIFICATION LABEL ON PACKAGING:
8. FOR REFLOW SOLDERING LEAD-FREE PROCESS.
9. PACKAGING: TAPE&REEL.

REV	E/CN NO	OR DESCRIPTION	REVISED	DATE
A		PRODUCT RELEASE	ZLS	2012.10.17
B		E/CN NO.: G120354 MODIFY PIN LENGTH : 2.05±1.40	ZLS	2013.01.16
C		E/CN NO.: G140074 MODIFY LAYOUT	ZLS	2014.7.26

H	MYLAR	0.075T		gold flash on contact area.
G	SHIELD	COPPER ALLOY 0.20T		gold flash on contact area. all over Ni Plated
F	TRANSFER TERMINAL	COPPER ALLOY 0.20T		gold flash on contact area and Solder fill all over Ni Plated
E	MAKE TERMINAL	COPPER ALLOY 0.20T		
D	RING	COPPER ALLOY 0.20T		
C	TIP	COPPER ALLOY 0.25T		
B	EARTH	COPPER ALLOY 0.20T		gold flash on all area all over Ni Plated
A	BODY	HIGH TEMP THERMOPLASTIC UL 94V-0		BLACK
NO	DESCRIPTION	QTY	MATERIAL	PLATING & COLOR
UNLESS OTHERWISE SPECIFIED TOLERANCES				
Singatron Enterprise Co., Ltd. 信登企業股份有限公司				
TITLE: 3.5φ PHONE JACK				
DWG: ZLS 14/8/18 PART NO. 2SJ2326-027111F				
CHKD: BILLY 14/8/18 SCALE 3:1 UNIT: mm				
APVD: ZLZ 14/8/18 SIZE: A3 SHEET: 10F1 REV: C				
CUSTOMER COPY				