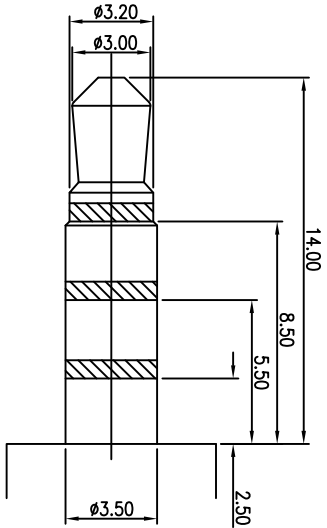
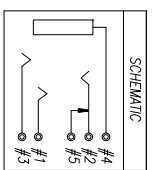
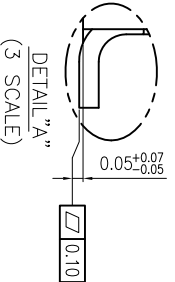
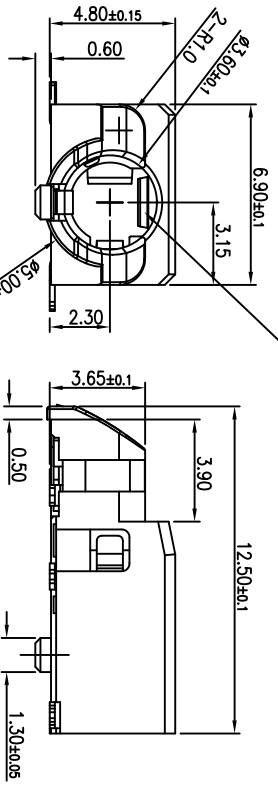
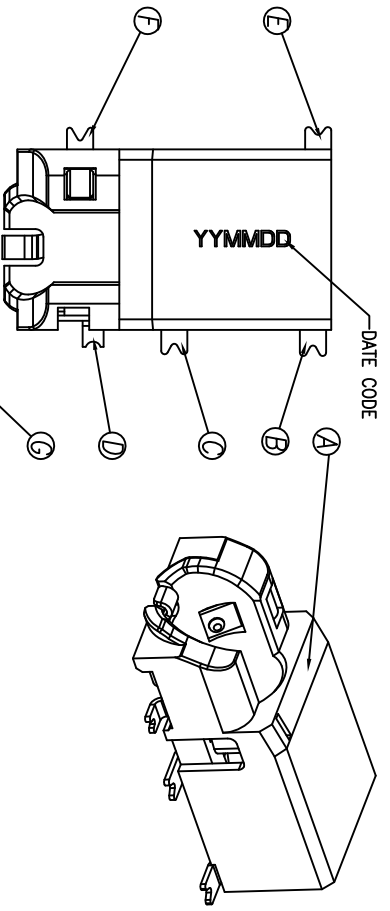
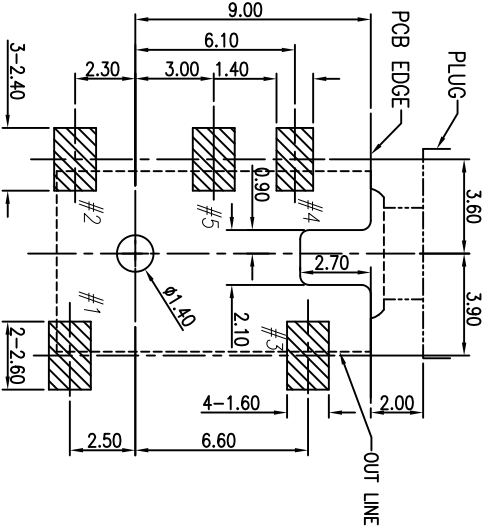
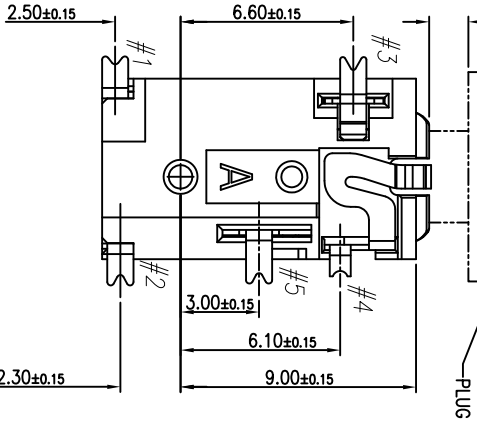


REV/ECN NO OR DESCRIPTION	REVISED	DATE
A PRODUCT RELEASE	Sticky	2011.01.04



Ø3.5 4-POLE STANDARD PLUG (TOLERANCE:±0.05)



RECOMMENDED PCB LAYOUT
TOP VIEW (TOLERANCE: ±0.05)

- SPECIFICATIONS:**
- ELECTRICAL CHARACTERISTICS:**
 - 1-1. RATING: 12V 1A
 - 1-2. CONTACT RESISTANCE: 30mΩ MAX.(INITIAL)
 - 1-3. DIELECTRIC WITHSTANDING VOLTAGE: 500V AC FOR ONE MINUTE.
 - 1-4. INSULATION RESISTANCE: 100MΩ MIN. MEASURED BY 500 VDC
 - MECHANICAL CHARACTERISTICS:**
 - 2-1. INSERTION FORCE : 0.3~3.0 KGf .
 - 2-2. WITHDRAWAL FORCE : 0.3~3.0 KGf.
 - LIFE TEST:** 6,000 CYCLES MIN.
 - OTHER GENERAL SPEC.** TO REFER "2SJ2327 SERIES SPEC".
 - TO CONFORM TO SINGATRON HAZARDOUS SUBSTANCE FREE SPEC.**
 - HALOGEN FREE PRODUCT IDENTIFICATION MARK ON JACK:**
 - HALOGEN FREE PRODUCT IDENTIFICATION LABEL ON PACKAGING:**
 - FOR REFLOW SOLDERING LEAD-FREE PROCESS.**
 - PACKAGING:** TAPE & REEL.

NO	DESCRIPTION	QTY	MATERIAL	PLATING & COLOR
A	BODY	1	HIGH TEMP. THERMOPLASTIC U94-10	BLACK COLOR
B	RING-A	1	COPPER ALLOY 0.2t	GOLD FLASH
C	SHUNT	1	COPPER ALLOY 0.2t	GOLD FLASH
D	EARTH	1	COPPER ALLOY 0.20t	GOLD FLASH
E	TIP SPRING	1	COPPER ALLOY 0.25t	GOLD FLASH
F	RING-B	1	COPPER ALLOY 0.20t	GOLD FLASH
G	TERMINAL	1	SUS 0.3t	N/A

DECIMALS:	ANGLES:
X : ±0.5	X : ±2°
X.X : ±0.3	X.X : ±1'
X.XX : ±0.2	

TITLE	3.5Ø AUDIO JACK(ONLY FOR MindTree)
DWN	Sticky 11.01.06
CHKD	Whitem 11.01.06
APVD	Leo 11.01.06
PART NO.	2SJ2327-000111
SCALE	5:1
UNIT	mm
SIZE	A3
SHEET	1 OF 1
REV	A

Singatron Enterprise Co., Ltd.
信音企業股份有限公司
CUSTOMER COPY