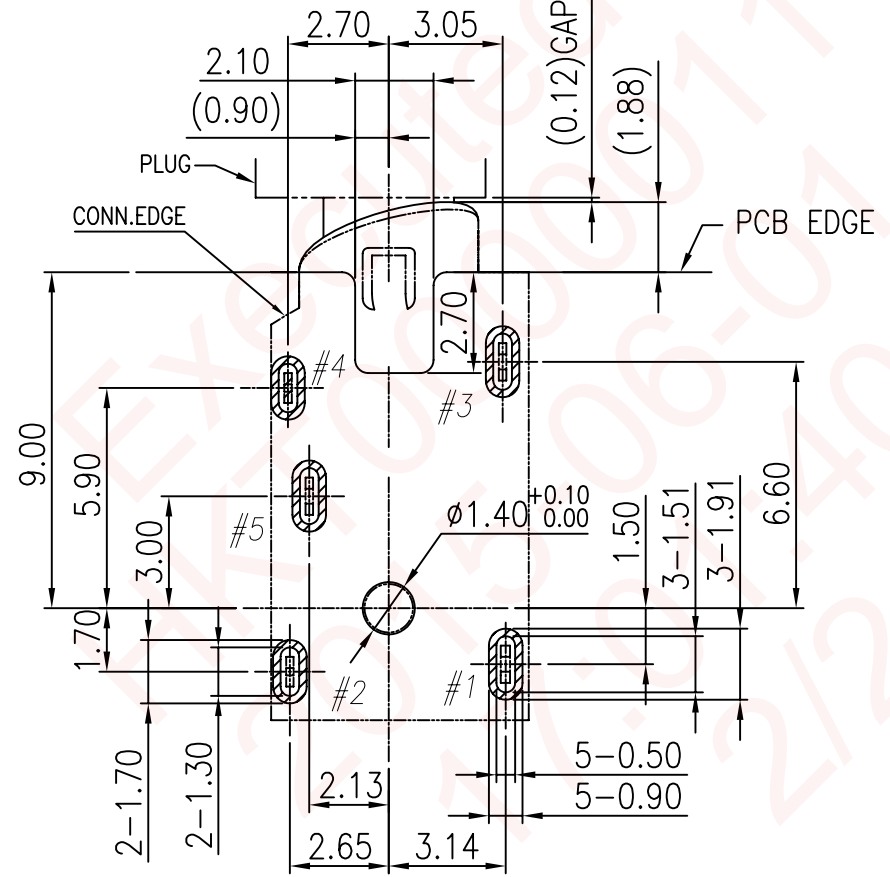
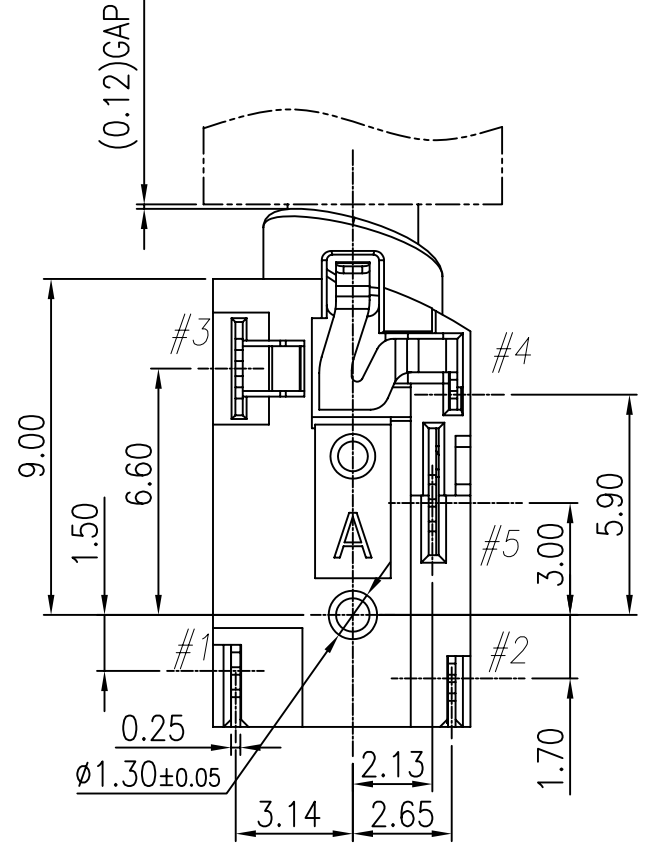
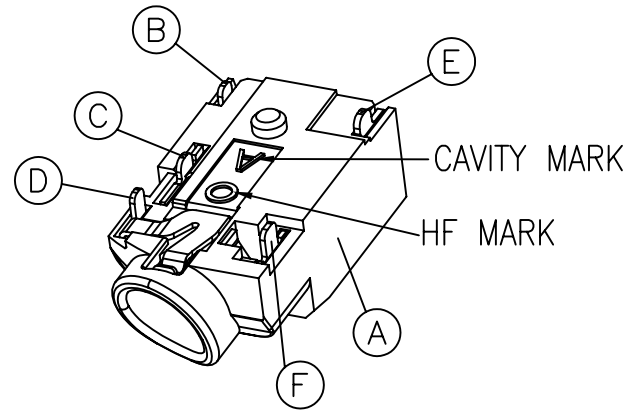
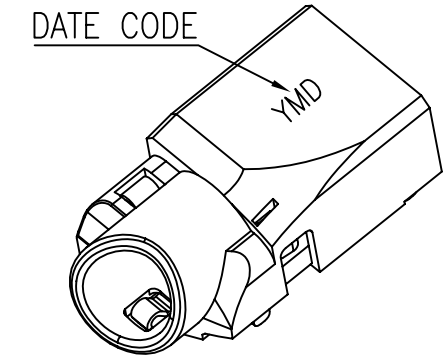
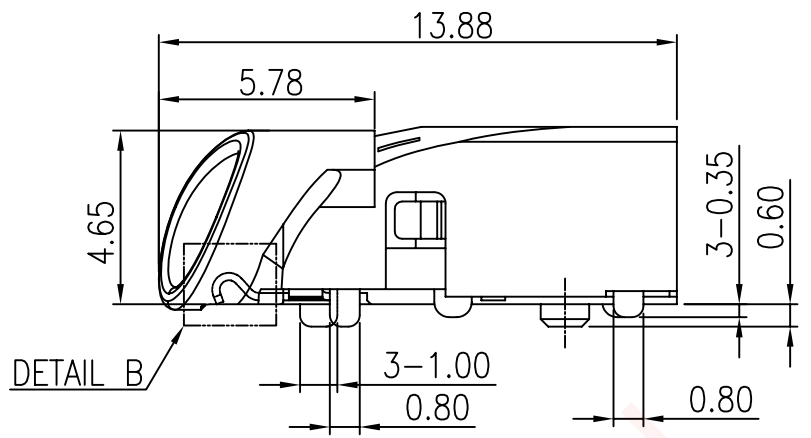
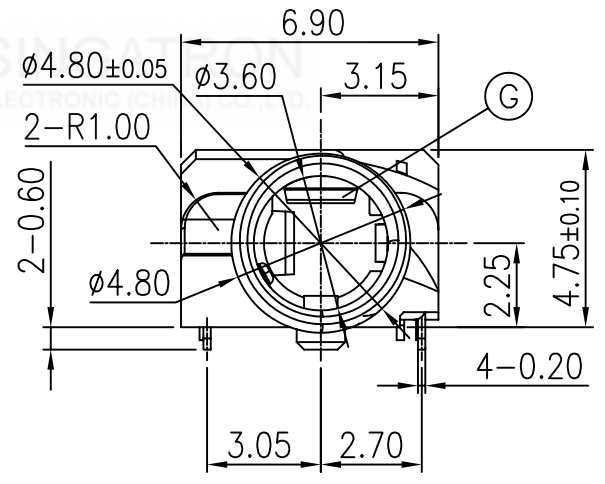


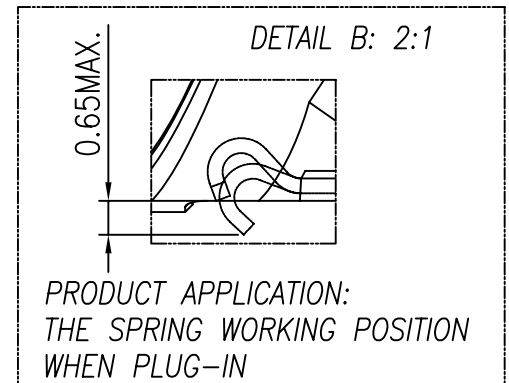
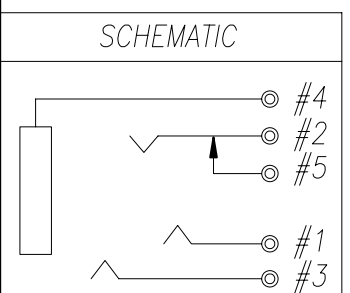
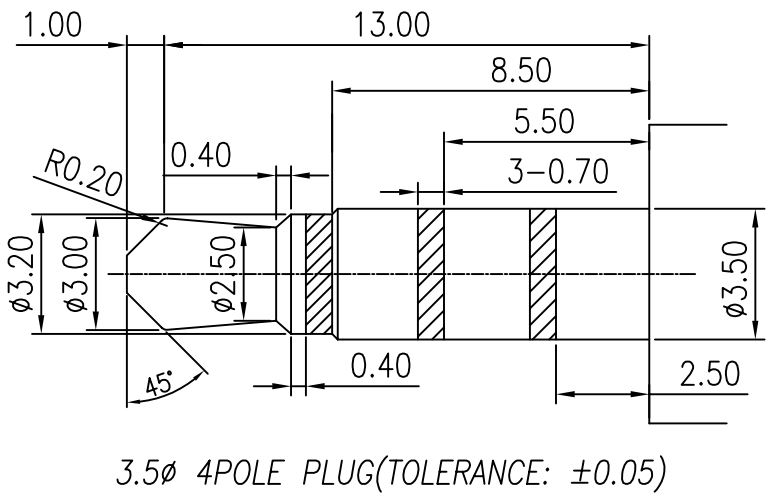
REV.	ECN NO OR DESCRIPTION	REVISED	DATE
A	PRODUCT RELEASE	WZJ	2015.05.19



SPECIFICATIONS:

- ELECTRICAL CHARACTERISTICS:**
 - 1-1. RATING: 12V, 1A
 - 1-2. CONTACT RESISTANCE: 30mΩ MAX.(INITIAL)
 - 1-3. DIELECTRIC WITHSTANDING VOLTAGE: 500V AC FOR ONE MINUTE.
 - 1-4. INSULATION RESISTANCE: 100MΩ MIN. MEASURED BY 500 VDC
- MECHANICAL CHARACTERISTICS:**
 - 2-1. INSERTION FORCE : 0.3~3.0 KGF .
 - 2-2. WITHDRAWAL FORCE : 0.3~3.0 KGF .
- LIFE TEST: 5,000 CYCLES MIN.**
- OTHER GENERAL SPEC. TO REFER "2SJ2327 SERIES SPEC".**
- TO CONFORM TO SINGATRON HAZARDOUS SUBSTANCE FREE SPEC.**
- HALOGEN FREE PRODUCT IDENTIFICATION MARK ON JACK:**
- HALOGEN FREE PRODUCT IDENTIFICATION LABEL ON PACKAGING:**
- FOR REFLOW SOLDERING LEAD-FREE PROCESS.**
- PACKAGING:TAPE & REEL.**

RECOMMENDED PCB LAYOUT
TOP VIEW (TOLERANCE: ±0.10)



G	TERMINAL	1	SUS 0.3T	N/A
F	RING-B	1	COPPER ALLOY 0.20t	GOLD FLASH
E	TIP SPRING	1	COPPER ALLOY 0.25t	GOLD FLASH
D	EARTH	1	COPPER ALLOY 0.20t	GOLD FLASH
C	SHUNT	1	COPPER ALLOY 0.2t	GOLD FLASH
B	RING-A	1	COPPER ALLOY 0.2t	GOLD FLASH
A	BODY	1	PA46+30%GF	WHITE
NO	DESCRIPTION	QTY	MATERIAL	PLATING & COLOR

UNLESS OTHERWISE SPECIFIED TOLERANCES		Singatron Enterprise Co., Ltd. 信音企業股份有限公司	
DECIMALS:	ANGLES:	TITLE	3.5φ AUDIO JACK
X :±0.5	X :±2°	DWN	Zhijun-Wei 15/5/29 PART NO. 2SJ2327-003111F
X.X :±0.3	X.X :±1°	CHKD	Ziz-Zhou 15/5/29 SCALE 5:1 UNIT: mm
X.XX :±0.2		APVD	Max-Mai 15/5/29 SIZE: A3 SHEET:1 OF 1 REV: A
CUSTOMER COPY			