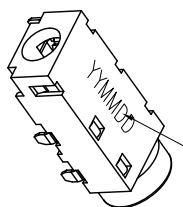
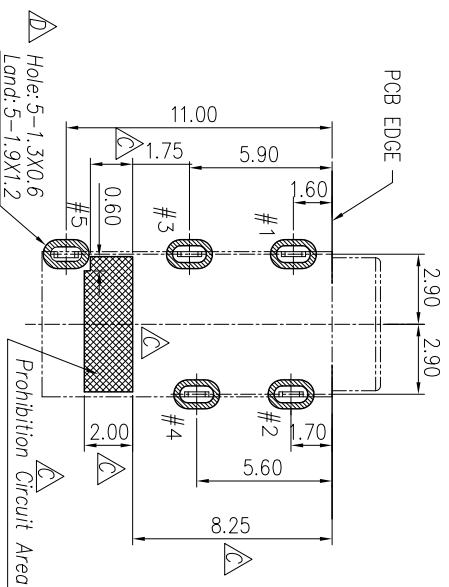
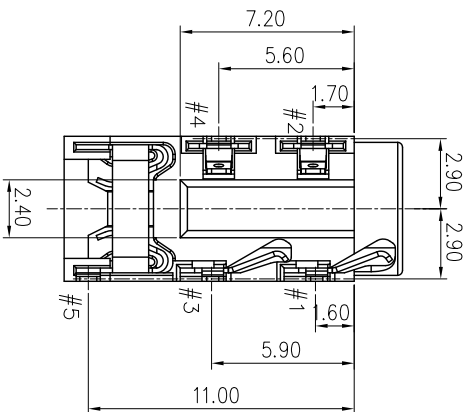
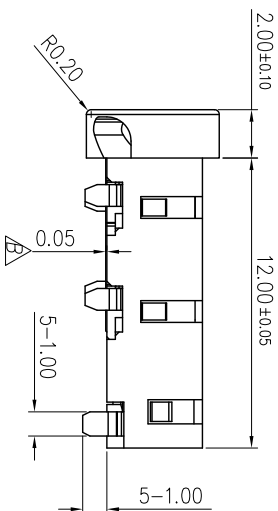
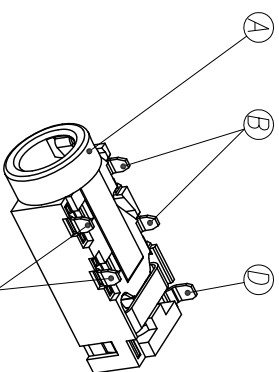


REV	E/CN NO	OR DESCRIPTION	REVISED	DATE
B	E/CN: C11005	Update Drawing	LongJiang	2011.07.19
C	E/CN: C120175	MODIFY LAYOUT	LongJiang	2011.07.19
D	E/CN: C130123	MODIFY LAYOUT	zjk	2013.06.17



DATE CODE

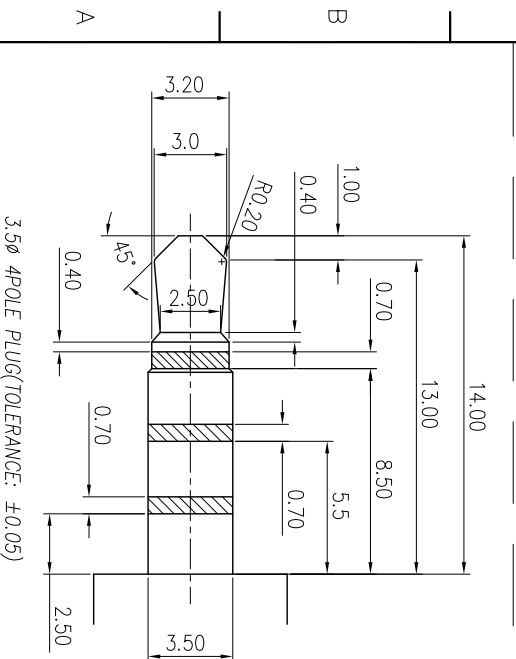


RECOMMENDED P.C.B. LAYOUT  
TOP VIEW (TOLERANCE: ±0.05)

1. ELECTRICAL CHARACTERISTICS:
- 1-1. RATING: 12V 1A
  - 1-2. CONTACT RESISTANCE: 30mΩMAX(BEFORE).
  - 1-3. DIELECTRIC VOLTAGE WITHSTAND: 500V AC FOR ONE MINUTE
  - 1-4. INSULATION RESISTANCE: 100MΩMIN. MEASURED BY 500 VDC
2. MECHANICAL CHARACTERISTICS:
- 2-1. INSERTED FORCE : 3.0 KGF MAX.
  - 2-2. WITHDRAWAL FORCE : 0.3~3.0 KGF
3. LIFE TEST: 5,000 CYCLES MIN.
4. TO CONFORM TO THE SINGATRON HSF SPECIFICATION.
6. HALOGEN FREE PRODUCT IDENTIFICATION MARK
7. HALOGEN FREE PRODUCT IDENTIFICATION LABEL ON PACKAGING
7. FOR LEAD-FREE PROCESS.
8. PACKAGING: TAPE & REEL.

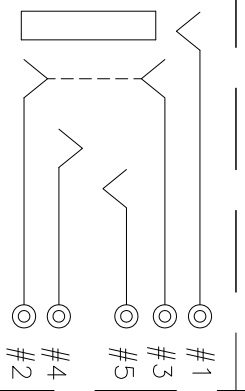
25J2335-000 1 1 1

PACKAGING: 1.TAP&REEL.  
COLOR: 1.BLACK  
PLATING: 1.GOLD FLASH



3.5φ 4POLE PLUG(TOLERANCE: ±0.05)

SCHEMATIC



D	TIP	1	COPPER ALLOY 0.2t	GOLD FLASH
C	RING A	2	COPPER ALLOY 0.2t	GOLD FLASH
B	EARTH	2	COPPER ALLOY 0.2t	GOLD FLASH
A	BODY	1	HI-TEMP THERMOPLASTIC	BLACK
NO	DESCRIPTION			PLATING & COLOR

UNLESS OTHERWISE SPECIFIED TOLERANCES

Singatron Enterprise Co., Ltd.  
信音企業股份有限公司

DECIMALS:	ANGLES:	TITLE
X : ±0.5	X : ±2°	ø3.5 PHONE JACK
X.X : ±0.3	X.X : ±1°	PART NO. 25J2335-000111
X.XX : ±0.2		SCALE 4:1 UNIT: mm
		SIZE: A3 SHEET: 10F1 REV: D

CUSTOMER COPY