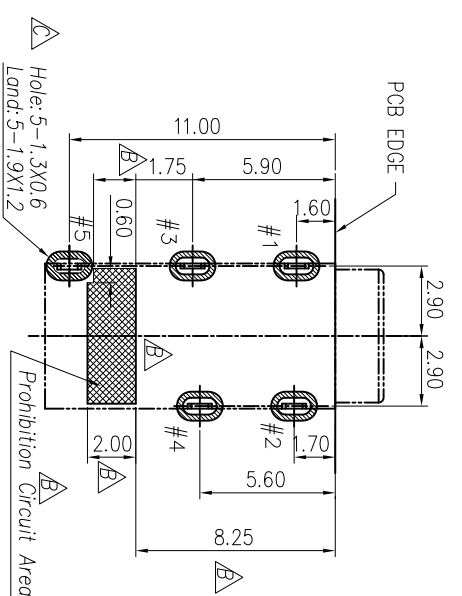
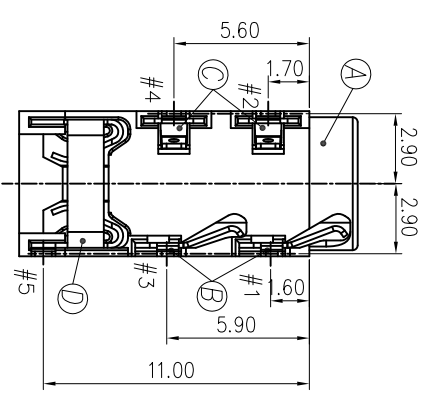


DATE CODE

| REV. | ECON NO | OR DESCRIPTION | REVISED | DATE |
|------|---------------|----------------|---------|------------|
| A | PRODUCT | RELEASE | WBIQG | 2011.09.15 |
| B | ECON: C120175 | MODIFY LAYOUT | DAOWEN | 2012.05.31 |
| C | ECON: C130123 | MODIFY LAYOUT | ZJK | 2013.06.18 |

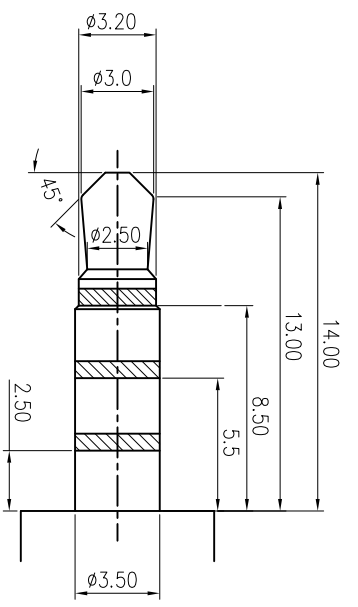


Hole: 5-1.3X0.6
Lond: 5-1.9X1.2

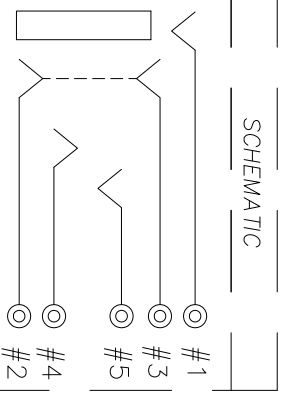
Prohibition Circuit Area

- SPECIFICATIONS:
- ELECTRICAL CHARACTERISTICS:
 - RATING: 12V 1A
 - CONTACT RESISTANCE: 30mΩMAX(BEFORE).
 - DIELECTRIC VOLTAGE WITHSTAND: 500V AC FOR ONE MINUTE
 - INSULATION RESISTANCE: 100MΩMIN. MEASURED BY 500 VDC
 - MECHANICAL CHARACTERISTICS:
 - INSERTED FORCE : 3.0 KGF MAX.
 - WITHDRAWAL FORCE : 0.3~3.0 KGF
 - LIFE TEST: 5,000 CYCLES MIN.
 - TO CONFORM TO THE SINGATRON HSF SPECIFICATION.
 - HALOGEN FREE PRODUCT IDENTIFICATION MARK:
 - HALOGEN FREE PRODUCT IDENTIFICATION LABEL ON PACKAGING:
 - FOR REFLOW SOLDERING LEAD-FREE PROCESS
 - PACKAGING: TAPE & REEL.

RECOMMENDED P.C.B. LAYOUT
TOP VIEW (TOLERANCE: ±0.05)



3.5Ø 4POLE PLUG(TOLERANCE: ±0.05)



| D | TIP | 1 | COPPER ALLOY 0.2t | GOLD FLASH |
|----|-------------|---|-----------------------|-----------------|
| C | RING A | 2 | COPPER ALLOY 0.2t | GOLD FLASH |
| B | EARTH | 2 | COPPER ALLOY 0.2t | GOLD FLASH |
| A | BODY | 1 | HI-TEMP THERMOPLASTIC | 1795G(RED) |
| NO | DESCRIPTION | | MATERIAL | PLATING & COLOR |

UNLESS OTHERWISE SPECIFIED TOLERANCES

Singatron Enterprise Co., Ltd.
信登企業股份有限公司

| DECIMALS: | ANGLES: | TITLE | Ø3.5 PHONE JACK |
|-------------|-----------|-------|-----------------|
| X : ±0.5 | X : ±2° | DWN | ZLS 13/10/8 |
| X.X : ±0.3 | X.X : ±1° | CHKD | ZZL 13/10/8 |
| X.XX : ±0.2 | | APVD | Uuo 13/10/8 |

PART NO. 25J2335-000121F

SCALE 4:1 UNIT: mm

SHEET: 10F1 REV: C

CUSTOMER COPY