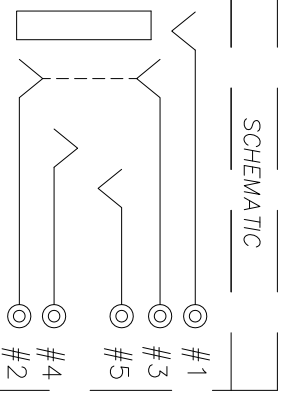
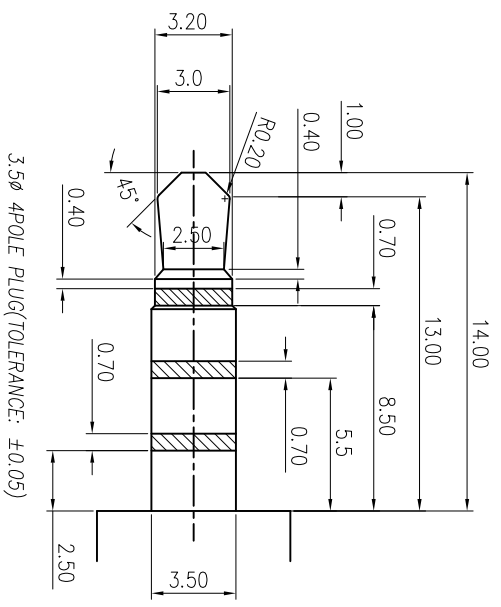


**SPECIFICATIONS:**

1. ELECTRICAL CHARACTERISTICS:
  - 1-1. RATING: 12V/1A
  - 1-2. CONTACT RESISTANCE: 30mΩMAX(BEFORE).
  - 1-3. DIELECTRIC VOLTAGE WITHSTAND: 500V AC FOR ONE MINUTE
  - 1-4. INSULATION RESISTANCE: 100MΩMIN. MEASURED BY 500 VDC
2. MECHANICAL CHARACTERISTICS:
  - 2-1. INSERTED FORCE : 0.3~3.0 KGf  $\phi$
  - 2-2. WITHDRAWAL FORCE : 0.3~3.0 KGf
3. LIFE TEST: 5,000 CYCLES MIN.
4. OTHER GENERAL SPEC TO REFER "3.5 PHONE JACK SPEC"
5. TO CONFORM TO THE SINGATRON HSF SPECIFICATION.
6. HALOGEN FREE PRODUCT IDENTIFICATION MARK:
7. HALOGEN FREE PRODUCT IDENTIFICATION LABEL ON PACKAGING:
8. FOR REFLOW SOLDERING LEAD-FREE PROCESS.
9. PACKAGING: TAPE & REEL.

RECOMMENDED P.C.B. LAYOUT  
TOP VIEW (TOLERANCE: ±0.05)



REV	ECH NO OR DESCRIPTION	REVISED	DATE
A	PRODUCT RELEASE	WBIQG	2012.01.13
B	ECH: C120175 MODIFY LAYOUT	Longjiang	2012.05.31
C	ECH: C130123 MODIFY LAYOUT	ZJK	2013.06.18

E	TIP	1	COPPER ALLOY 0.2t	
D	EARTH-1	1	COPPER ALLOY 0.2t	Gold Flash On Contact Area & Solder tail, All over Nickel Plated.
C	RING A	2	COPPER ALLOY 0.2t	
B	EARTH	1	COPPER ALLOY 0.2t	
A	BODY	1	HI-TEMP THERMOPLASTIC	RED(T795C)
NO	DESCRIPTION	QTY	MATERIAL	PLATING & COLOR

UNLESS OTHERWISE SPECIFIED TOLERANCES

Singatron Enterprise Co., Ltd.  
信音企業股份有限公司

TITLE	Ø3.5 PHONE JACK		
DWG	ZJS 13/10/8	PART NO. 2SJS2335-001121F	
CHKD	ZJR 13/10/8	SCALE 4:1	UNIT: mm
APVD	Luo 13/10/8	SIZE: A3	SHEET: 10F1

**CUSTOMER COPY**