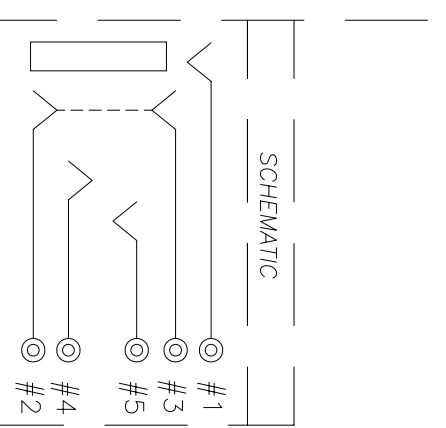
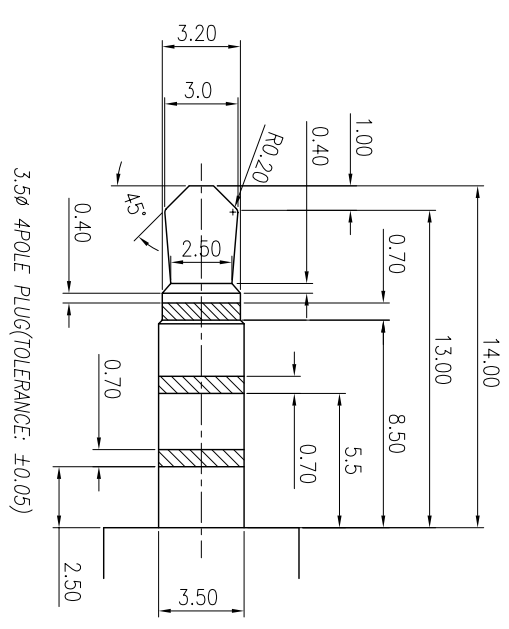


- SPECIFICATIONS:**
- ELECTRICAL CHARACTERISTICS:**
    - 1-1. RATING: 12V/1A
    - 1-2. CONTACT RESISTANCE: 30mΩ(MAX)(BEFORE).
    - 1-3. DIELECTRIC VOLTAGE WITHSTAND: 500V AC FOR ONE MINUTE
    - 1-4. INSULATION RESISTANCE: 100MΩ(MIN. MEASURED BY 500 VDC)
  - MECHANICAL CHARACTERISTICS:**
    - 2-1. INSERTED FORCE : 0.3~3.0 KGF
    - 2-2. WITHDRAWAL FORCE : 0.3~3.0 KGF
  - LIFE TEST:** 5,000 CYCLES MIN.
  - OTHER GENERAL SPEC TO REFERE "3.5Φ PHONE JACK SPEC"**
  - TO CONFORM TO THE SINGATON HSF SPECIFICATION.**
  - HALOGEN FREE PRODUCT IDENTIFICATION MARK:**
  - HALOGEN FREE PRODUCT IDENTIFICATION LABEL ON PACKAGING:**
  - FOR REFLOW SOLDERING LEAD-FREE PROCESS.**
  - PACKAGING: TAPE & REEL.**

RECOMMENDED P.C.B. LAYOUT  
TOP VIEW (TOLERANCE: ±0.05)



NO	DESCRIPTION	QTY	MATERIAL	PLATING & COLOR
A	BODY	1	HI-TEMP THERMOPLASTIC	BLACK
B	EARTH	1	COPPER ALLOY 0.2t	over Nickel Plated.
C	RING A	2	COPPER ALLOY 0.2t	
D	EARTH-1	1	COPPER ALLOY 0.2t	Gold Flash On Contact Area & Solder tail, All
E	TIP	1	COPPER ALLOY 0.2t	

DECIMALS:	ANGLES:
X : ±0.5	X : ±2°
X.X : ±0.3	X.X : ±1'
X.XX : ±0.2	

TITLE	DATE	SCALE	UNIT	SHEET	REV.
Ø3.5 PHONE JACK	2012/05/31	4:1	mm	10F1	B

Singatron Enterprise Co., Ltd.  
信音企業股份有限公司

PART NO. 2SJ2335-002111F  
CUSTOMER COPY