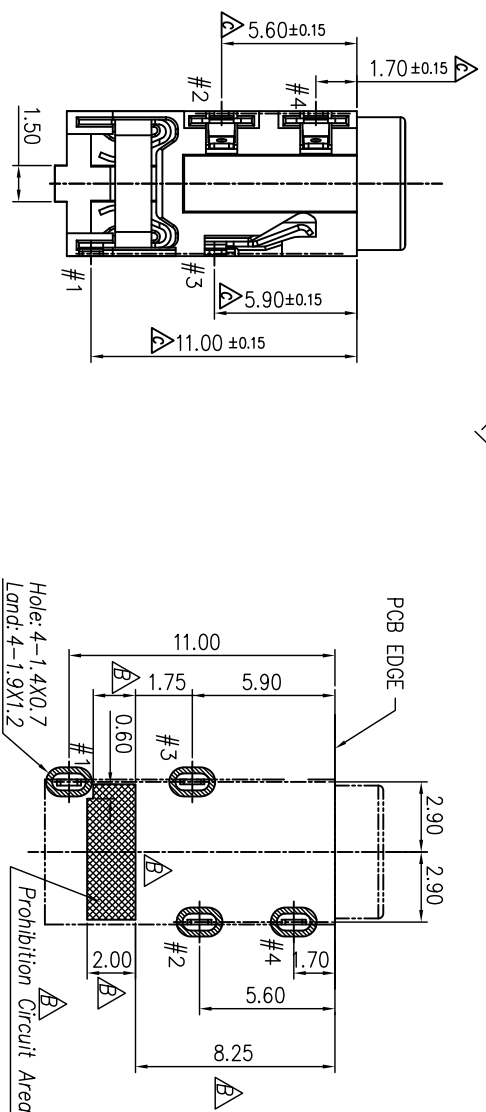
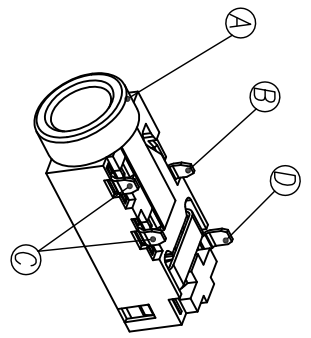
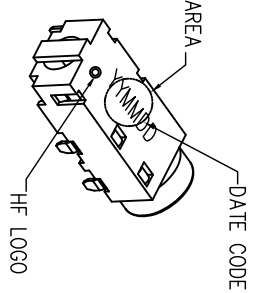
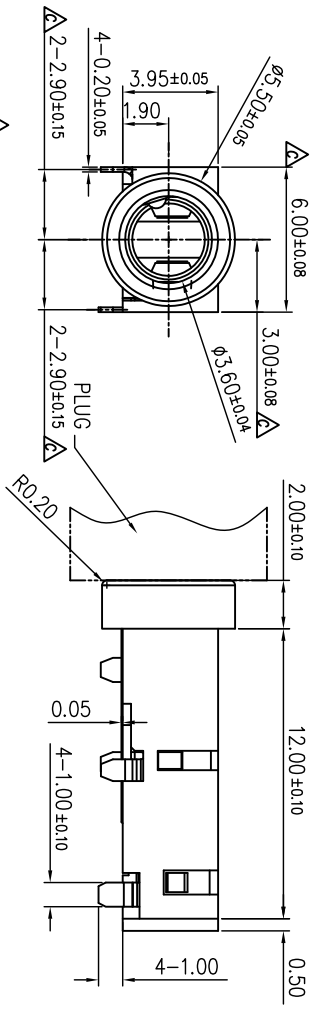
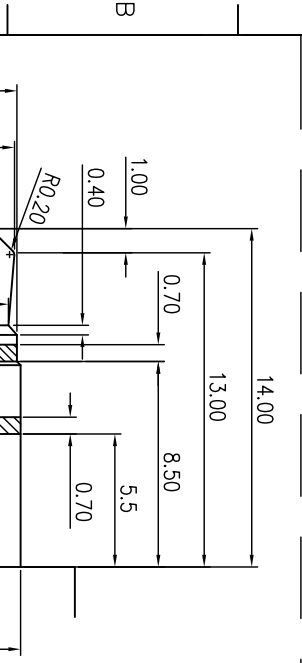


REV	ECN NO	OR DESCRIPTION	REVISED	DATE
A		PRODUCT RELEASE	Long Jiang	2012.04.05
B	ECN: C120175	MODIFY LAYOUT	Long Jiang	2012.05.31
C	ECN NO: C140259	MODIFY TOLERANC	REX	2014.11.27

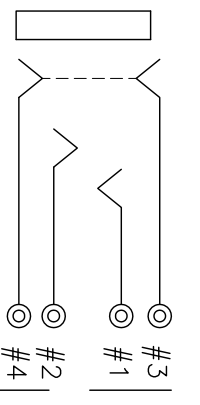


RECOMMENDED P.C.B. LAYOUT
TOP VIEW (TOLERANCE: ±0.05)

- SPECIFICATIONS:**
- 1. ELECTRICAL CHARACTERISTICS:**
- 1-1. RATING: 12V 1A
 - 1-2. CONTACT RESISTANCE: 30mΩ(MAX)(BEFORE)
 - 1-3. DIELECTRIC VOLTAGE WITHSTAND: 500V AC FOR ONE MINUTE
 - 1-4. INSULATION RESISTANCE: 100MΩ(MIN. MEASURED BY 500 VDC)
- 2. MECHANICAL CHARACTERISTICS:**
- 2-1. INSERTED FORCE : 3.0 KGF MAX.
 - 2-2. WITHDRAWAL FORCE : 0.3~3.0 KGF
- 3. LIFE TEST: 5,000 CYCLES MIN.
 - 4. TO CONFORM TO THE SINGATRON HSF SPECIFICATION.
 - 6. HALOGEN FREE PRODUCT IDENTIFICATION MARK:
 - 7. HALOGEN FREE PRODUCT IDENTIFICATION LABEL ON PACKAGING:
 - 7. FOR IR REFLOW SOLDERING PROCESS.
 - 8. PACKAGING IN TAPE & REEL.



SCHEMATIC



3.5φ 3POLE PLUG(TOLERANCE: ±0.05)

D	TYP		
1	COPPER ALLOY 0.2t	Gold Flash On Contact	
2	COPPER ALLOY 0.2t	Area & Solder Tail, All	
3	COPPER ALLOY 0.2t	over Nickel Plated	
4	HI-TEMP THERMOPLASTIC	BLACK	
5	MATERIAL	PLATING & COLOR	

Singatron Enterprise Co., Ltd.
信音企業股份有限公司

UNLESS OTHERWISE SPECIFIED TOLERANCES

DECIMALS:	ANGLES:
X : ±0.5	X : ±2°
X.X : ±0.3	X.X : ±1°
X.XX : ±0.2	

TITLE	Ø3.5 PHONE JACK
DWN	REV: 2014/2/8
CHKD	WZJ
APVD	ZZ
PART NO. 25J2335-003111F	
SCALE 4:1	
UNIT: mm	
SIZE: A3	
SHEET: 10F1	
REV: C	
CUSTOMER COPY	