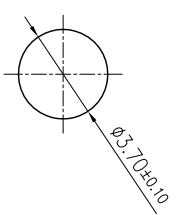
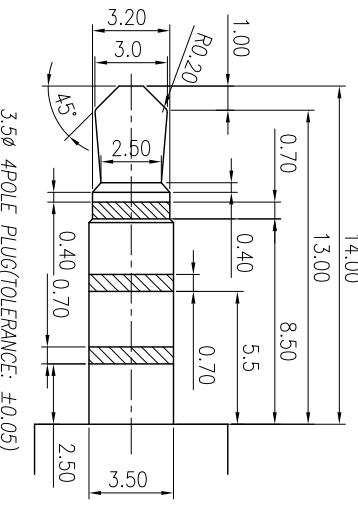
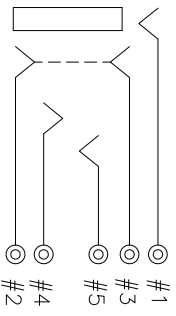


RECOMMENDED P.C.B. LAYOUT
TOP VIEW (TOLERANCE: ±0.05)



RECOMMENDED PANEL CUT OUT DIMENSION

SCHEMATIC



SPECIFICATIONS:

1. ELECTRICAL CHARACTERISTICS:
 - 1-1. RATING: 12V, 1A
 - 1-2. CONTACT RESISTANCE: 30mΩ MAX(BEFORE).
 - 1-3. DIELECTRIC VOLTAGE WITHSTAND: 500V AC FOR ONE MINUTE
 - 1-4. INSULATION RESISTANCE: 100MΩ MIN. MEASURED BY 500 VDC
2. MECHANICAL CHARACTERISTICS:
 - 2-1. INSERTED FORCE: 0.3~3.0 KGF.
 - 2-2. WITHDRAWAL FORCE: 0.3~3.0 KGF.
3. LIFE TEST: 10,000 CYCLES.
4. TO CONFORM TO THE SINGATRON HSF SPECIFICATION.
6. HALOGEN FREE PRODUCT IDENTIFICATION MARK:
7. HALOGEN FREE PRODUCT IDENTIFICATION LABEL ON PACKAGING:
7. FOR LEAD-FREE PROCESS.
8. PACKAGING: TAPE & REEL.
9. REPRESENT CPK DIMENSIONS.

REV	ECN NO	OR DESCRIPTION	REVISED	DATE
A		PRODUCT RELEASE	WZJ	2014.09.10

F	RING B	1	COPPER ALLOY 0.2t	
E	RING A	1	COPPER ALLOY 0.2t	
D	TIP	1	COPPER ALLOY 0.2t	
C	RING B	1	COPPER ALLOY 0.2t	
B	EARTH	1	COPPER ALLOY 0.2t	
A	BODY	1	HI-TEMP THERMOPLASTIC	
NO	DESCRIPTION		MATERIAL	PLATING & COLOR
UNLESS OTHERWISE SPECIFIED TOLERANCES				
Singatron Enterprises Co., Ltd. 信音企業股份有限公司				
TITLE: Ø3.5 PHONE JACK				
DWG: 14/9/12 PART NO. 2SJ2335-008111F				
CHKD: 14/9/12 SCALE 4:1 UNIT: mm				
APVD: 14/9/12 SIZE: A3 SHEET: 10F1 REV: A				

CUSTOMER COPY