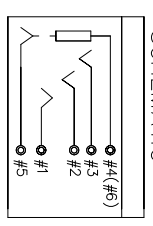


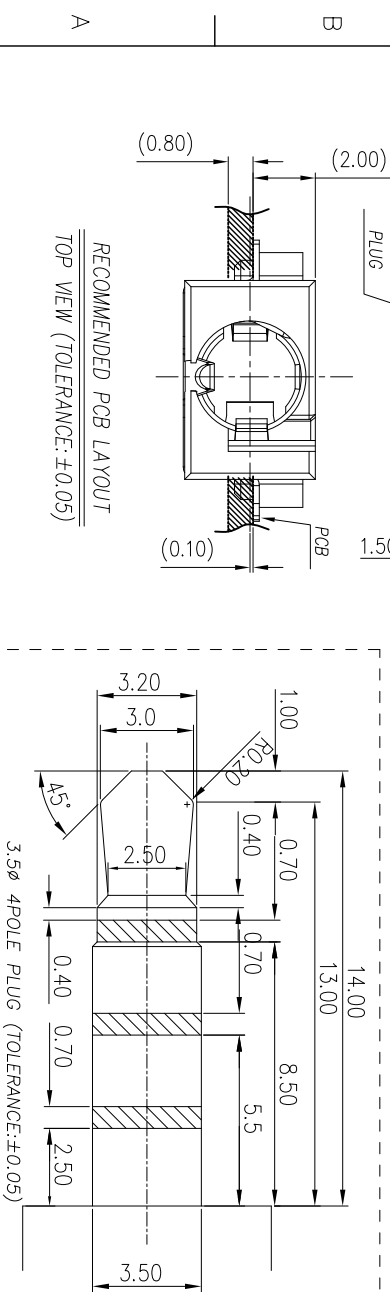
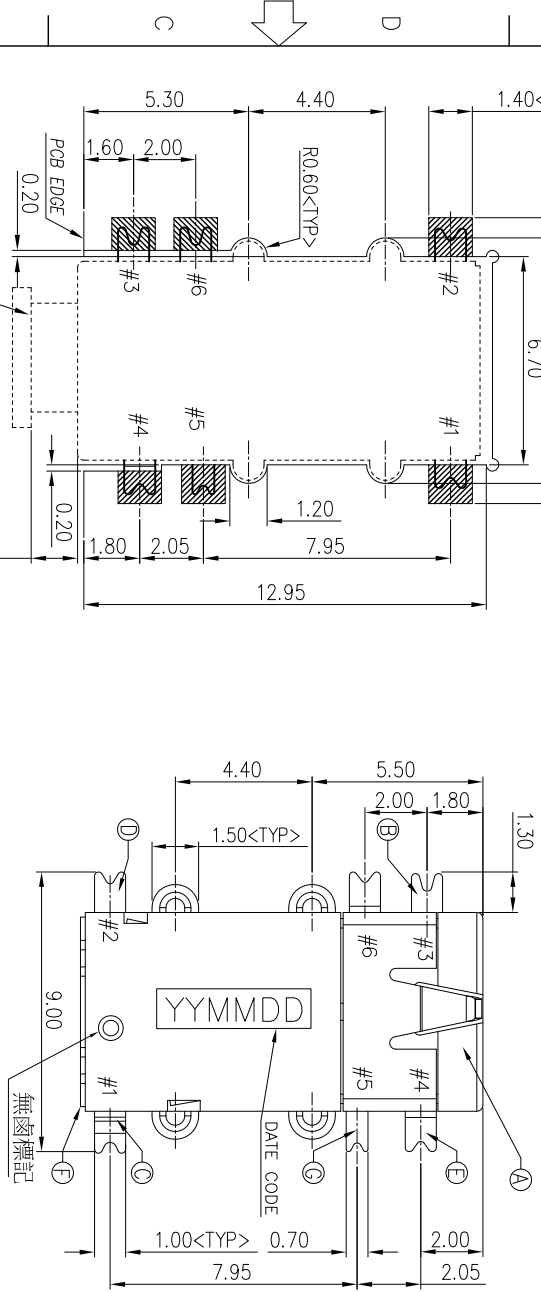
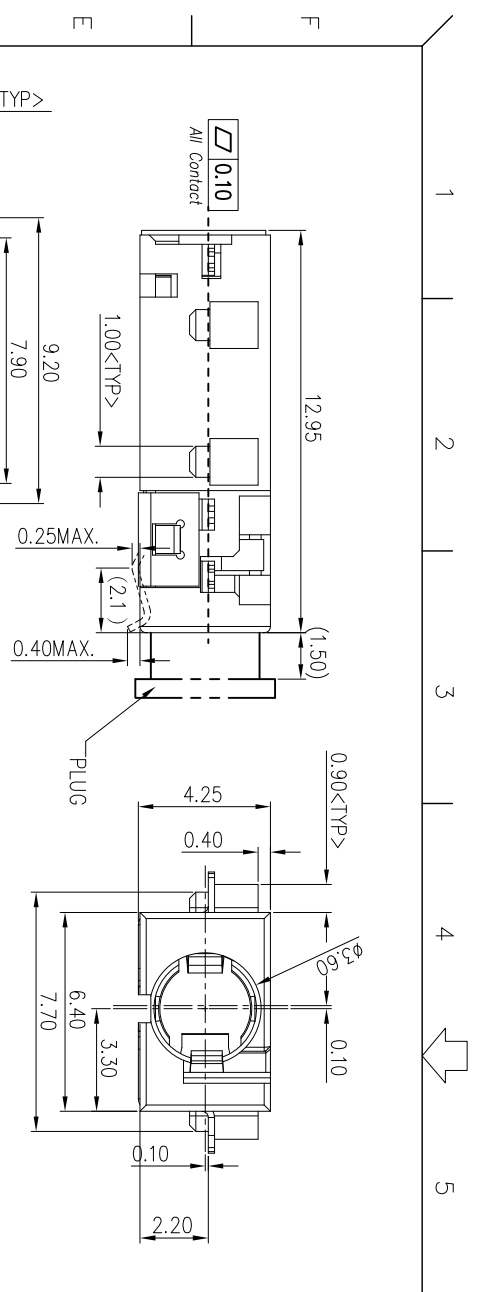
REV.	EGN NO OR DESCRIPTION	REVISED	DATE
A	PRODUCT RELEASE	Sticky	2011.09.07
B	ECN C140043 UPDATE DRAWING	ZLS	2014.7.4

SCHEMATIC



SPECIFICATIONS:

- ELECTRICAL CHARACTERISTICS:
 - RATING: 12V 1A
 - CONTACT RESISTANCE: 30mΩ MAX.(INITIAL)
 - DIELECTRIC WITHSTANDING VOLTAGE: 500V AC FOR ONE MINUTE.
 - INSULATION RESISTANCE: 100MΩ MIN. MEASURED BY 500 VDC
- MECHANICAL CHARACTERISTICS:
 - INSERTION FORCE : 0.4~3.0 KGf(INITIAL)
 - WITHDRAWAL FORCE : 0.4~3.0 KGf(INITIAL)
 - INSERTION FORCE : 0.3~3.0 KGf(AFTER LIFE TEST)
 - WITHDRAWAL FORCE : 0.3~3.0 KGf(AFTER LIFE TEST)
 - LIFE TEST: 5,000 CYCLES MIN.
 - OTHER GENERAL SPEC. TO REFER 3.5Φ PHONE JACK SPEC.
 - TO CONFORM TO THE SINGATRON HSF SPEC.
 - HALOGEN FREE PRODUCT IDENTIFICATION MARK ON PRODUCT.
 - FOR REFLOW SOLDERING LEAD-FREE PROCESS.
 - SOLDER HEAT RESISTANCE REFLOW SOLDERING 260°C 10SECS.
 - PACKAGING: TAPE & REEL.



G	GROUND	1	COPPER ALLOY 0.15T	GOLD FLASH
F	COVER	1	STAINLESS STEEL	N/A
E	EARTH	1	COPPER ALLOY 0.2T	GOLD FLASH
D	RING A	1	COPPER ALLOY 0.2T	GOLD FLASH ON CONTACT AREA WHITE Sn ON SOLDER TAIL OVER Ni PLATED
C	TIP	1	COPPER ALLOY 0.2T	GOLD FLASH
B	RING B	1	COPPER ALLOY 0.2t	GOLD FLASH
A	BODY	1	HIGH TEMP PLASTIC	BLACK
NO	DESCRIPTION		MATERIAL	PLATING & COLOR

UNLESS OTHERWISE SPECIFIED TOLERANCES

DECIMALS:	ANGLES:
X : ±0.5	X : ±2°
X.X : ±0.3	X.X : ±1°
X.XX : ±0.2	

TITLE	3.5Φ PHONE JACK
DWN	ZLS 14/7/14 PART NO. 2SJ2338-000111F
CHKD	BILLY 14/7/14 SCALE 6:1 UNIT: mm
APVD	ZLZ 14/7/14 SIZE: A3 SHEET: 10F1 REV: B

CUSTOMER COPY

Singatron Enterprise Co., Ltd.
信音企業股份有限公司