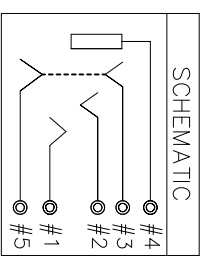
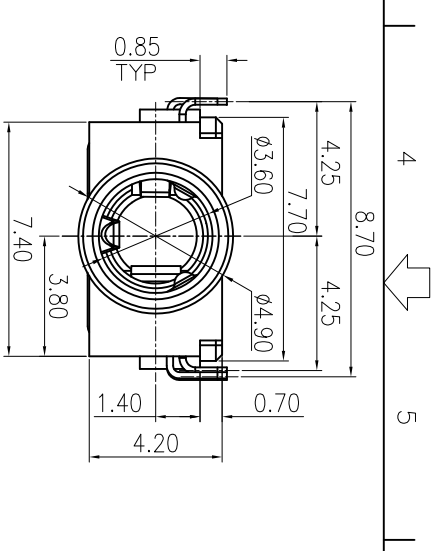
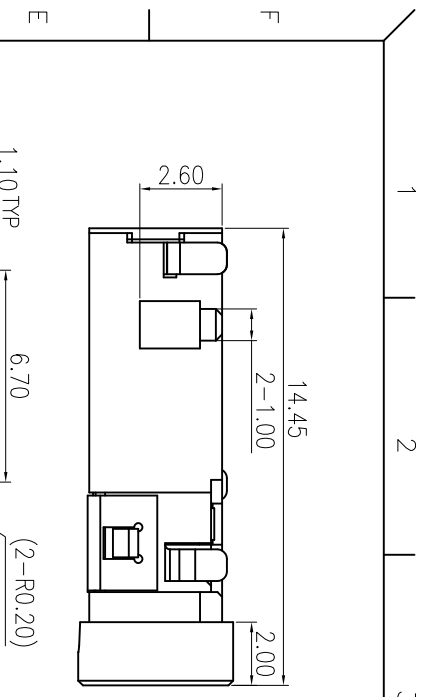
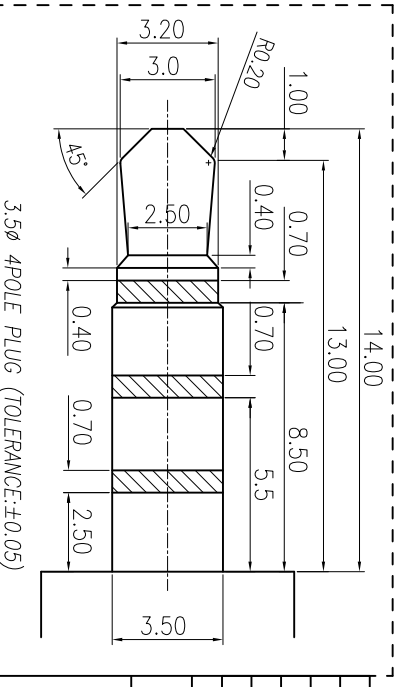
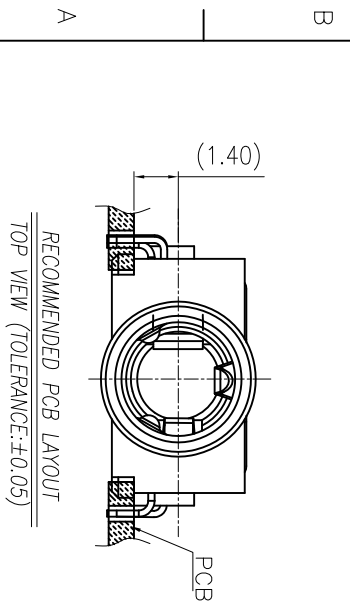
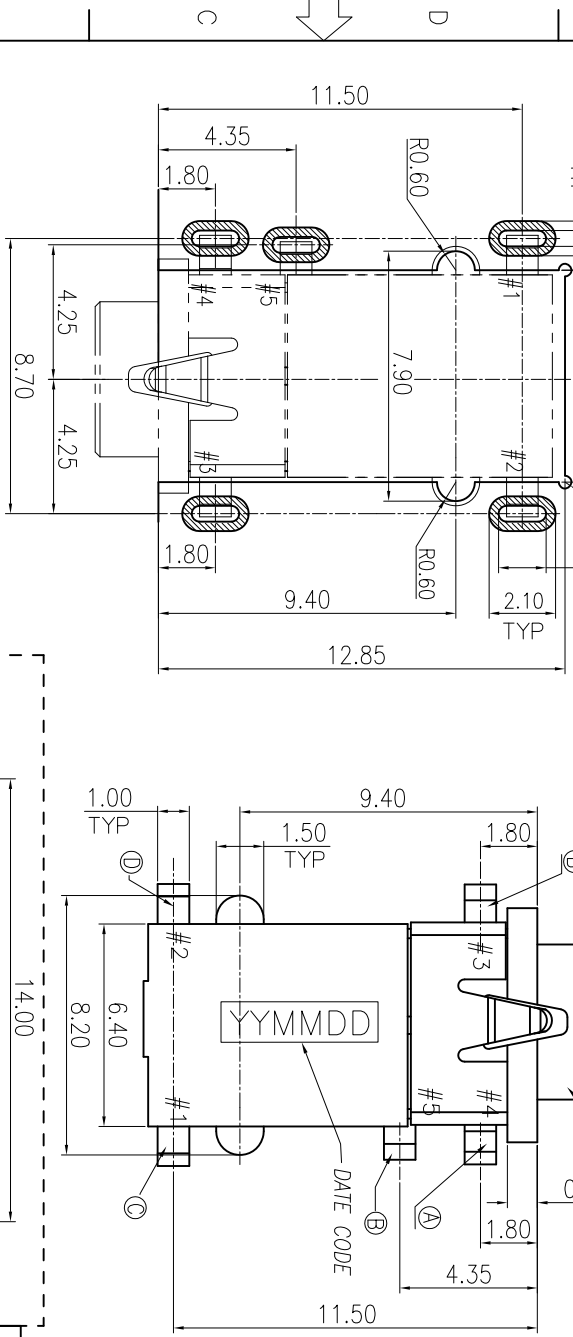


REV.	ECN NO.	OR DESCRIPTION	REVISED	DATE
A		PRODUCT RELEASE	Sticky	2011.05.12



- SPECIFICATIONS:**
- ELECTRICAL CHARACTERISTICS:**
 - 1-1. RATING: 12V 1A
 - 1-2. CONTACT RESISTANCE: 30mΩ_{MAX}(BEFORE).
 - 1-3. WITHSTANDING VOLTAGE: 500V AC FOR ONE MINUTE
 - 1-4. INSULATION RESISTANCE: 100MΩ_{MIN}. MEASURED BY 500 VDC
 - MECHANICAL CHARACTERISTICS:**
 - 2-1. INSERTED FORCE : 3.0 KGF MAX.
 - 2-2. WITHDRAWAL FORCE : 0.3~3.0 KGF
 - LIFE TEST:** 5,000 CYCLES MIN.
 - OTHERS TO CONFORM TO THE SINGATRON Ø3.5 AUDIO JACK SPEC.**
 - HALOGEN FREE PRODUCT IDENTIFICATION MARK:**
 - HALOGEN FREE PRODUCT IDENTIFICATION LABEL ON PACKAGING:**
 - FOR REFLOW SOLDERING LEAD-FREE PROCESS.**
 - PACKAGING:** TAPE & REEL.



E	DESCRIPTION	QTY	MATERIAL	PLATING & COLOR
E	EARTH	1	COPPER ALLOY 0.2t	GOLD FLASH
D	RING SPRING A	1	COPPER ALLOY 0.2t	GOLD FLASH
C	TIP SPRING	1	COPPER ALLOY 0.2t	GOLD FLASH
B	RING SPRING B	2	COPPER ALLOY 0.2t	GOLD FLASH
A	BODY	1	THERMOPLASTIC HIGH TEMP	BLACK
NO	DESCRIPTION	QTY	MATERIAL	PLATING & COLOR

UNLESS OTHERWISE SPECIFIED TOLERANCES

DECIMALS: ANGLES:

X : ±0.5 X : ±2°
X.X : ±0.3 X.X : ±1°
X.XX : ±0.2

Singaton Enterprise Co., Ltd.
信音企業股份有限公司

3.5mm PHONE JACK

PART NO. 2SJ2339-000111F

TITLE	3.5mm PHONE JACK
DWN	SNOC 2011.5.23
CHKD	MMKM 2011.5.23
APVD	UNO 2011.5.23
SCALE	6:1
UNIT	mm
SHEET	10F1
REV	A

CUSTOMER COPY