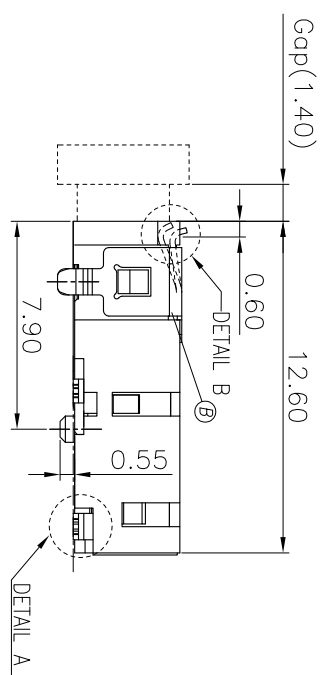
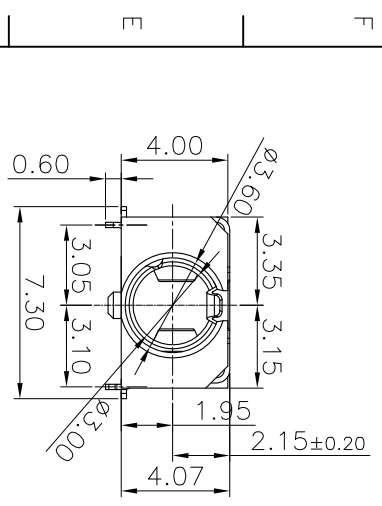
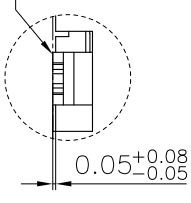


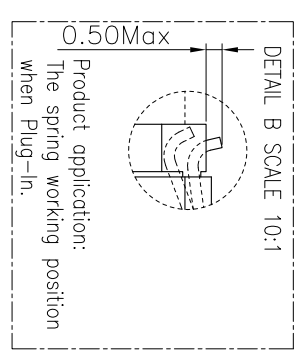
REV.	ECN NO OR DESCRIPTION	REVISED	DATE
A	PRODUCT RELEASE	ARBS	2011.12.27



ALL Contact Plan
Coplanarity 0.1mm Max.



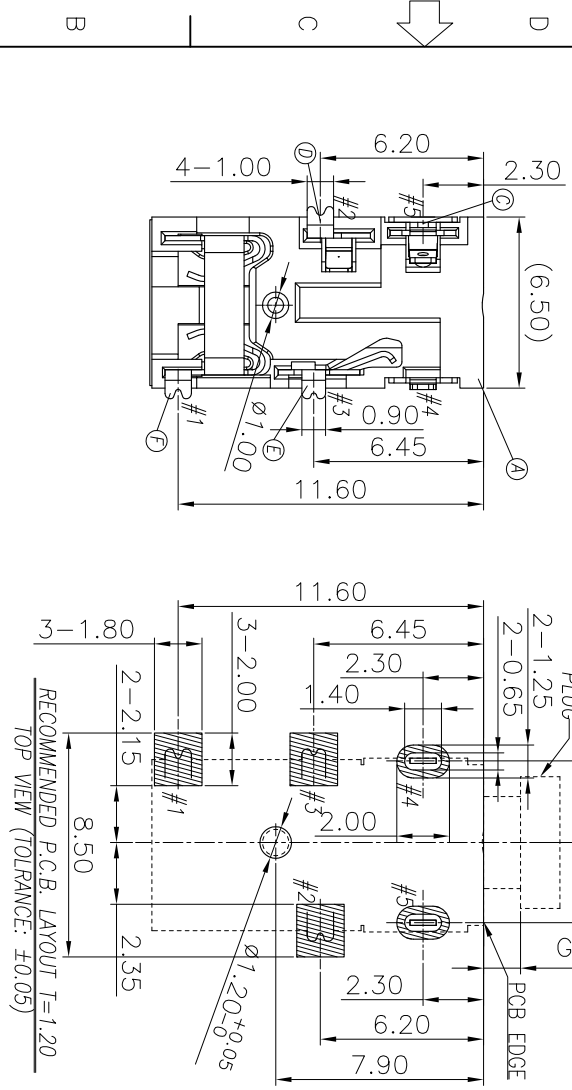
DETAIL A SCALE 10:1



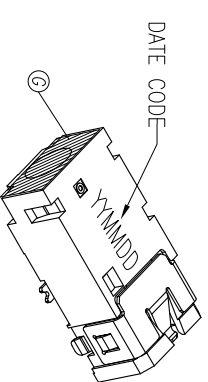
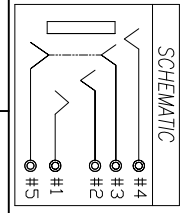
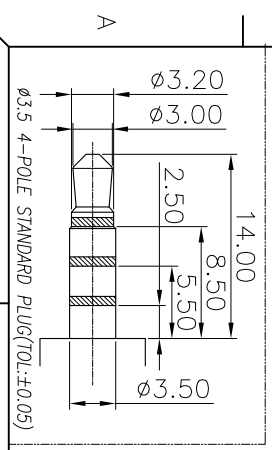
DETAIL B SCALE 10:1

SPECIFICATIONS:

- ELECTRICAL CHARACTERISTICS:
 - RATING: 12V 1A
 - CONTACT RESISTANCE: 30mΩ MAX. (INITIAL)
 - DIELECTRIC WITHSTANDING VOLTAGE: 500V AC FOR ONE MINUTE.
 - INSULATION RESISTANCE: 100MΩ MIN. MEASURED BY 500 VDC
- MECHANICAL CHARACTERISTICS:
 - INSERTION FORCE : 0.3~3.0 Kgf .
 - WITHDRAWAL FORCE : 0.3~3.0 Kgf .
 - LIFE TEST: 5,000 CYCLES .
 - OTHER GENERAL SPEC. TO REFER "GENERAL SPEC."
 - TO CONFORM TO SINGATRON HAZARDOUS SUBSTANCE FREE SPEC.
 - HALOGEN FREE PRODUCT IDENTIFICATION MARK: ◎
 - HALOGEN FREE PRODUCT IDENTIFICATION LABEL ON PACKAGING.
 - FOR REFLOW SOLDERING LEAD-FREE PROCESS.
 - PACKAGING: TAPE & REEL.



RECOMMENDED P.C.B. LAYOUT T=1.20
TOP VIEW (TOLERANCE: ±0.05)



DATE CODE

G	MYLAR	1	Mylar 0.06T	BLACK
F	TIP SPRING	1	COPPER ALLOY 0.20T	
E	RING-B1	1	COPPER ALLOY 0.2T	Gold Flash On Contact Area & Solder toll, All over Nickel Plated
D	RING-A	1	COPPER ALLOY 0.2T	
C	RING-B	1	COPPER ALLOY 0.2T	
B	EARTH	1	COPPER ALLOY 0.20T	
A	BODY	1	HIGH TEMP. THERMOPLASTIC UL94-V0	BLACK

UNLESS OTHERWISE SPECIFIED TOLERANCES

DECIMALS: ANGLES: TITLE
X : ±0.5 X : ±2°
XX : ±0.3 XX : ±1°
XXX : ±0.2

Singatron Enterprise Co., Ltd.
信亨企業股份有限公司

Ø3.5 PHONE JACK
PART NO. 25J2342-000111P
SCALE 5:1 UNIT: mm

APVD SIZE: A3 SHEET: 10F1 REV: A
CUSTOMER COPY