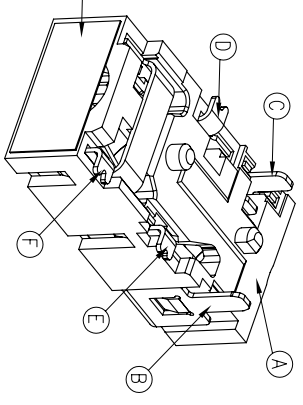
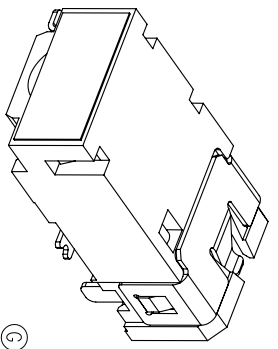
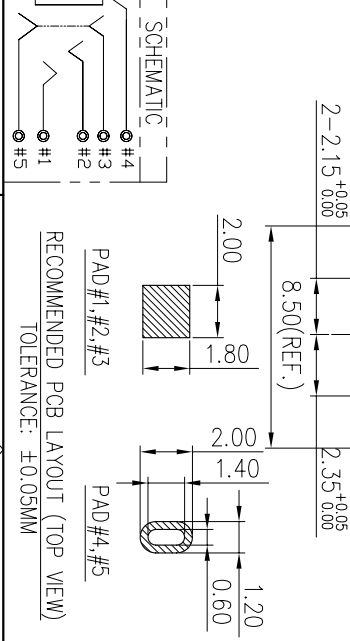
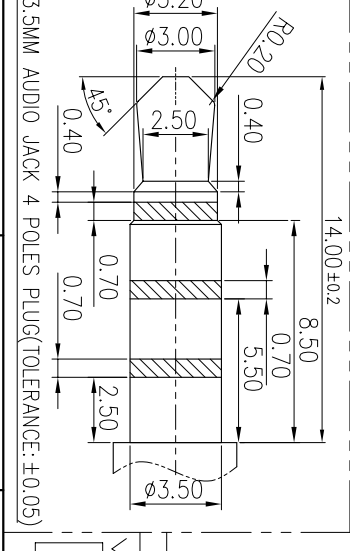
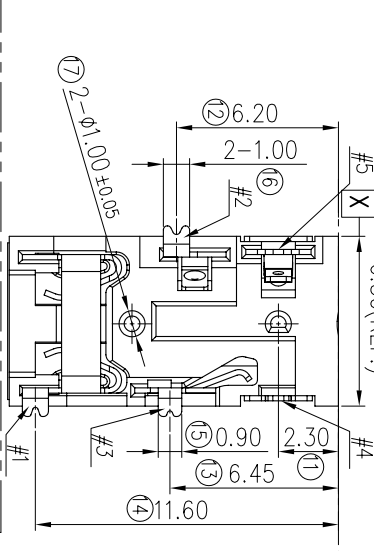
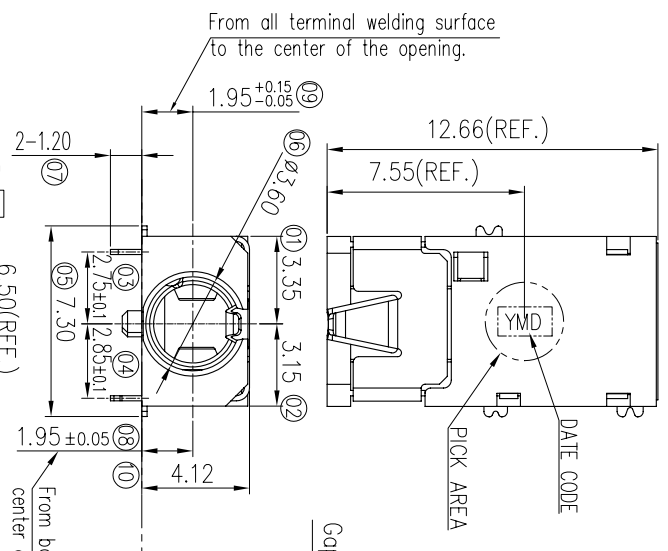
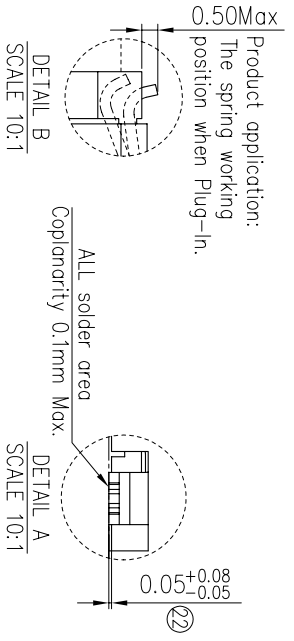


REV.	ECN NO OR DESCRIPTION	REVISED	DATE
A	PRODUCT RELEASE	Junkqng	2019.03.26



- SPECIFICATIONS:**
- 1. ELECTRICAL CHARACTERISTICS:**
- 1-1. RATING CURRENT: 1A
 - 1-2. RATING VOLTAGE: 12V
 - 1-3. CONTACT RESISTANCE: 30mΩ(INITIAL), 50mΩ(AFTER LIFE TEST)
 - 1-4. DIELECTRIC WITHSTANDING VOLTAGE: 500V AC FOR ONE MINUTE.
 - 1-5. INSULATION RESISTANCE: 100MΩ MIN. BY 500V DC.
- 2. MECHANICAL CHARACTERISTICS:**
- 2-1. INSERTION FORCE: 0.3~3.0KGF.
 - 2-2. WITHDRAWAL FORCE: 0.3~3.0KGF.
 - 2-3. LIFE TEST: 5,000 CYCLES
- 3. ENVIRONMENTAL CHARACTERISTICS:**
- 3-1. OPERATING TEMPERATURE: -30~+80°C
 - 3-2. TO CONFORM TO SINGATRON HAZARDOUS SUBSTANCE FREE SPEC.
 - 3-3. ROHS COMPLIANT PRODUCT.
 - 3-4. HALOGEN FREE PRODUCT IDENTIFICATION MARK: Ⓞ
 - 3-5. HALOGEN FREE PRODUCT IDENTIFICATION LABEL ON PACKAGING: "SINGATRON HAZARDOUS SUBSTANCE FREE SPEC."
- 4. OTHER GENERAL SPEC. TO REFER "2S12342-002111F SPEC."**
- 5. FOR REFLOW SOLDERING LEAD-FREE PROCESS.**
- 6. PACKAGING: TAPE & REEL.**



NO.	DESCRIPTION	QTY.	MATERIAL	PLATING & COLOR
A	BODY	1	PA-101+30%GF,UL94 V-0	BLACK

NO.	DESCRIPTION	QTY.	MATERIAL	PLATING & COLOR
B	RING-A	1	C5210-EH T=0.20	GOLD FLASH ON CONTACT AREA ALL OVER NICKEL PLATED.
C	RING-B	1	C5210-EH T=0.20	GOLD FLASH ON CONTACT AREA ALL OVER NICKEL PLATED.
D	RING-A	1	C5210-EH T=0.20	GOLD FLASH ON CONTACT AREA ALL OVER NICKEL PLATED.
E	RING-B	1	C5210-EH T=0.20	GOLD FLASH ON CONTACT AREA ALL OVER NICKEL PLATED.
F	TIP SPRING	1	YOUJM-FX-H T=0.20	BLACK
G	MYLAR	1	T=0.06	BLACK

DECIMALS:	ANGLES:
X : ±0.5	X : ±2°
X.X : ±0.3	X.X : ±1°
X.XX : ±0.2	

TITLE	Ø3.5mm AUDIO CONNECTOR
DWN	Junkqng-zhong
CHKD	Junkqng-ho
APVD	Junkqng-pre-deng
PART NO.	2S12342-002111F
SCALE	1:1
UNIT	mm
SIZE	A3
SHEET	10F1
REV.	A
CUSTOMER COPY	