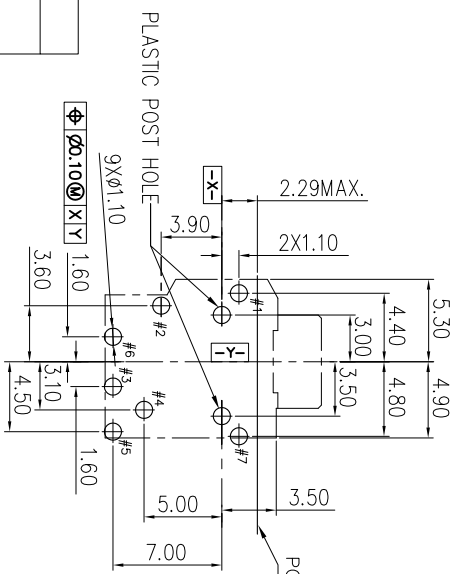
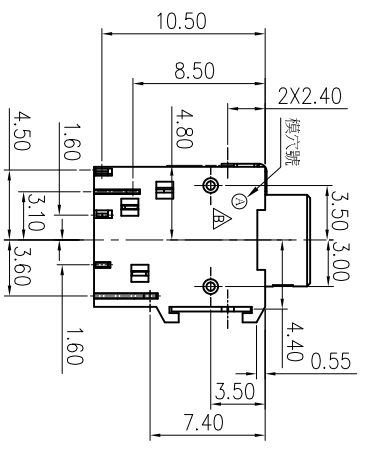
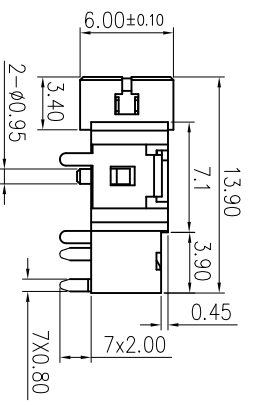
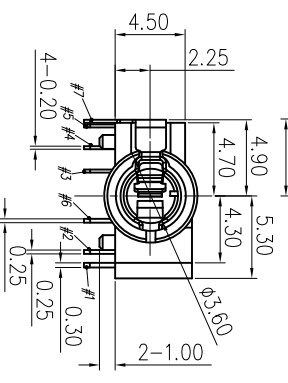
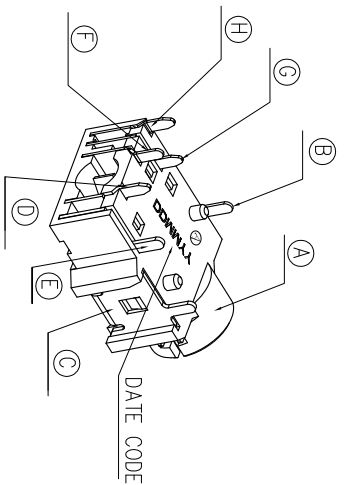
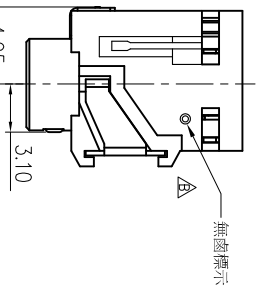
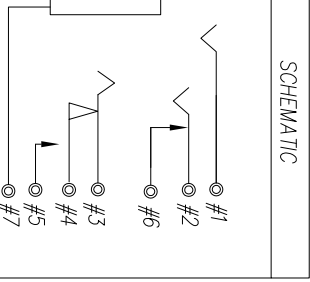
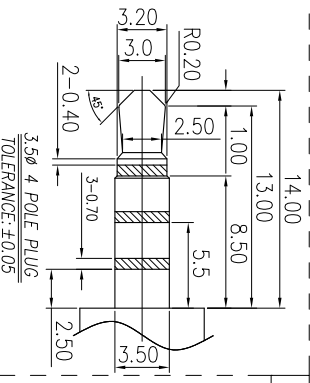


REV.	ECN NO OR DESCRIPTION	REVISED	DATE
A	PRODUCT RELEASE	BILLY	2011.12.12
B	ECN C130269 UPDATE DRAWING	TFY	2014.4.21



RECOMMENDED P.C.B. LAYOUT T=1.20
TOP VIEW (TOLERANCE: ±0.05)



- SPECIFICATIONS:
- ELECTRICAL CHARACTERISTICS:
 - RATING: 150V MAXIMUM/1A MAXIMUM.
 - CONTACT RESISTANCE: 50mΩ MAX.
 - DIELECTRIC WITHSTANDING VOLTAGE: 500V AC FOR ONE MINUTE.
 - INSULATION RESISTANCE: 100MΩ MIN. MEASURED BY 500 VDC.
 - MECHANICAL CHARACTERISTICS:
 - INSERTION FORCE : 0.3~4.0 KGF
 - WITHDRAWAL FORCE : 0.3~4.0 KGF
 - LIFE TEST: 5,000 CYCLES MIN.
 - TO CONFORM TO THE SINGATRON HAZARDOUS SUBSTANCE FREE SPEC.
 - HALOGEN FREE PRODUCT IDENTIFICATION MARK ON JACK: ◎
 - HALOGEN FREE PRODUCT IDENTIFICATION LABEL ON PACKAGING.
 - FOR REFLOW SOLDERING LEAD-FREE PROCESS.
 - PACKAGING: TAPE&REEL.



NO	DESCRIPTION	QTY	MATERIAL	PLATING & COLOR
H	BREAK TERMINAL	1	COPPER ALLOY 0.201	
G	TRANSFER TERMINAL	1	COPPER ALLOY 0.201	Gold flash on contact area and Solder tid,all over Nickel Plated
F	RING A	1	COPPER ALLOY 0.201	
E	TIP	1	COPPER ALLOY 0.251	
D	SHUNT	1	COPPER ALLOY 0.251	Gold flash
C	RING B	1	COPPER ALLOY 0.301	Gold flash
B	EARTH	1	COPPER ALLOY 0.201	Gold flash
A	BODY	1	HIGH TEMP.THERMOPLASTIC UL 94V-0	BLACK

UNLESS OTHERWISE SPECIFIED TOLERANCES

DECIMALS:	ANGLES:	TITLE
X : ±0.5	X : ±2°	3.5∅ PHONE JACK
X.X : ±0.3	X.X : ±1°	
X.XX : ±0.2		

Singatron Enterprise Co., Ltd.
信登企業股份有限公司

CHKD	DATE	SCALE	UNIT	REV.
DWN	14/4/29	3:1	mm	B
APVD	14/4/29	A3		

CUSTOMER COPY