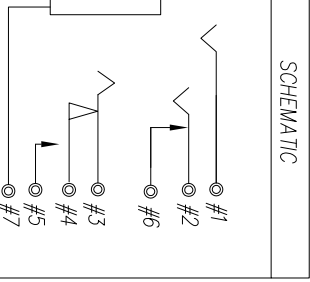
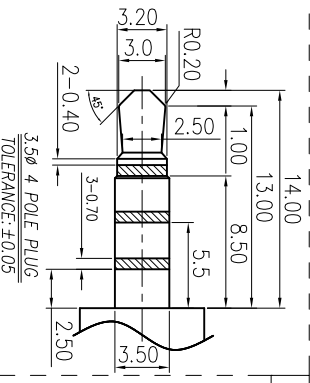


RECOMMENDED P.C.B. LAYOUT T=1.20
TOP VIEW (TOLERANCE: ±0.05)



SPECIFICATIONS:

1. ELECTRICAL CHARACTERISTICS:
 - 1-1. RATING: 150V MAXIMUM/1A MAXIMUM.
 - 1-2. CONTACT RESISTANCE: 50mΩ MAX.
 - 1-3. DIELECTRIC WITHSTANDING VOLTAGE: 500V AC FOR ONE MINUTE.
 - 1-4. INSULATION RESISTANCE: 100MΩ MIN. MEASURED BY 500 VDC.
2. MECHANICAL CHARACTERISTICS:
 - 2-1. INSERTION FORCE : 0.3~4.0 KGF
 - 2-2. WITHDRAWAL FORCE : 0.3~4.0 KGF
3. LIFE TEST: 5,000 CYCLES MIN.
4. TO CONFORM TO THE SINGATRON HAZARDOUS SUBSTANCE FREE SPEC.
5. HALOGEN FREE PRODUCT IDENTIFICATION MARK ON JACK: ©
6. HALOGEN FREE PRODUCT IDENTIFICATION LABEL ON PACKAGING:
7. FOR REFLOW SOLDERING LEAD-FREE PROCESS.
8. PACKAGING: TAPE&REEL.



REV.	ECN NO OR DESCRIPTION	REVISED	DATE
A	PRODUCT RELEASE	BILLY	2012.12.11

NO	DESCRIPTION	QTY	MATERIAL	PLATING & COLOR
H	BREAK TERMINAL	1	COPPER ALLOY 0.201	
G	TRANSFER TERMINAL	1	COPPER ALLOY 0.201	Gold flash on contact area and Solder tid,all over Nickel Plated
F	RING A	1	COPPER ALLOY 0.201	
E	TIP	1	COPPER ALLOY 0.251	
D	SHUNT	1	COPPER ALLOY 0.251	Gold flash
C	RING B	1	COPPER ALLOY 0.301	Gold flash
B	EARTH	1	COPPER ALLOY 0.201	Gold flash
A	BODY	1	HIGH TEMP.THERMOPLASTIC UL 94V-0	BLACK

Singatron Enterprise Co., Ltd.
信登企業股份有限公司

DECIMALS:	ANGLES:	TITLE	3.50 PHONE JACK
X : ±0.5	X : ±2°	DWN	BILLY 20121211
X.X : ±0.3	X.X : ±1°	CHKD	ZZY 20121212
X.XX : ±0.2		APVD	LMO 20121212

CUSTOMER COPY