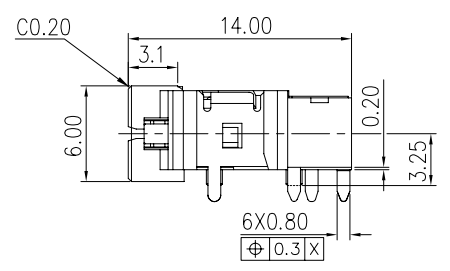
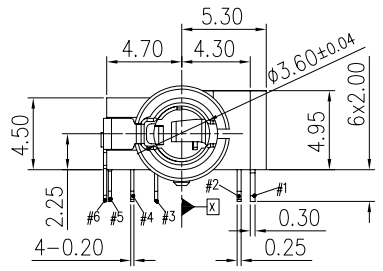
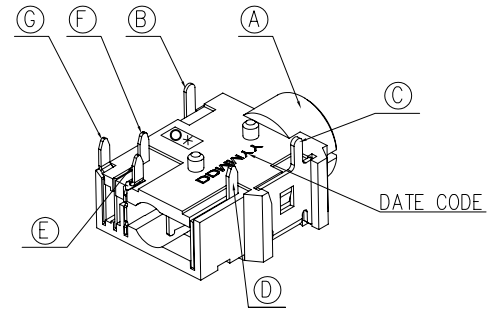
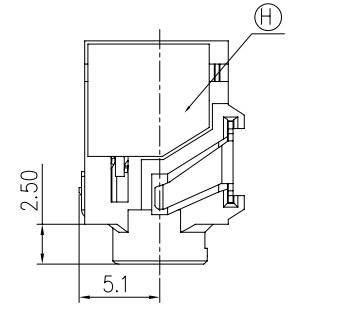


REV.	ECN NO OR DESCRIPTION	REVISED	DATE
A	PRODUCT RELEASE	Junkang	2018.09.06



SPECIFICATIONS:

1. ELECTRICAL CHARACTERISTICS:

- 1-1. CURRENT RATING: 1.0A MAX.
- 1-2. CONTACT RESISTANCE: 50mΩ MAX.
- 1-3. DIELECTRIC WITHSTANDING VOLTAGE: 500V AC FOR ONE MINUTE.
- 1-4. INSULATION RESISTANCE: 100MΩ MIN. BY 500V DC.

2. MECHANICAL CHARACTERISTICS:

- 2-1. INSERTION FORCE : 0.3~4.0 Kgf
- 2-2. WITHDRAWAL FORCE : 0.3~4.0 Kgf
- 2-3. LIFE TEST: 5,000 CYCLES MIN.

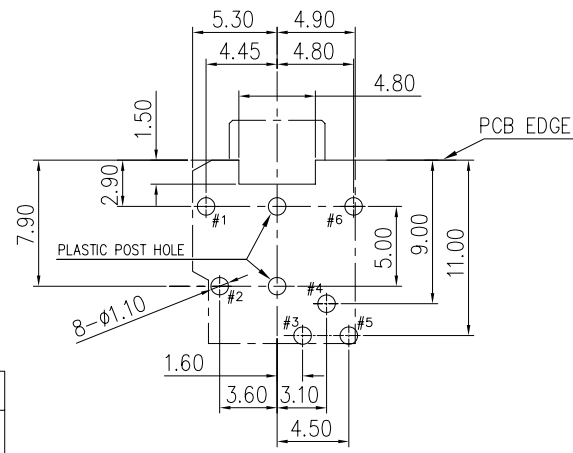
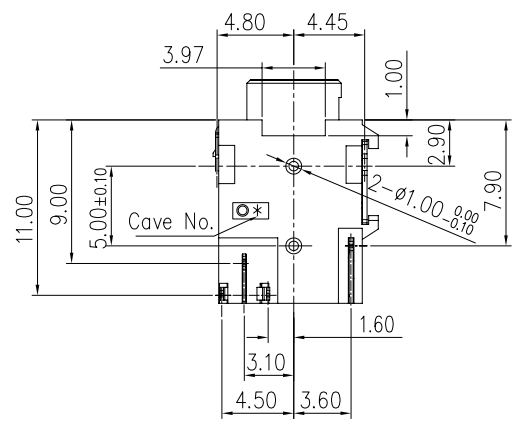
3. ENVIRONMENTAL CHARACTERISTICS:

- 3-1. TO CONFORM TO SINGATRON HAZARDOUS SUBSTANCE FREE SPEC.
- 3-2. RoHS COMPLIANT PRODUCT.
- 3-3. HALOGEN FREE PRODUCT IDENTIFICATION MARK:
- 3-4. HALOGEN FREE PRODUCT IDENTIFICATION LABEL ON PACKAGING:

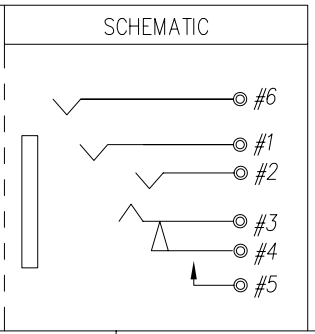
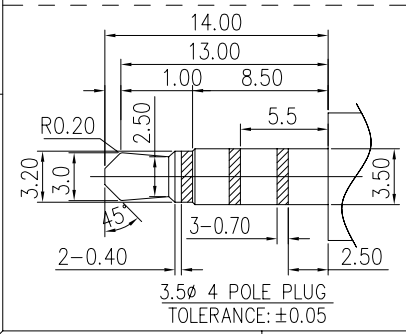
4. OTHER GENERAL SPEC. TO REFER "ø2.5 ø3.5 PHONE JACK SPEC."

5. FOR REFLOW SOLDERING LEAD-FREE PROCESS.

6. PACKAGING: TAPE & REEL.



RECOMMENDED P.C.B. LAYOUT T=1.20
TOP VIEW (TOLERANCE: ±0.05)



H	MYLAR	1	0.10T	YELLOW TRANSPARENT
G	BREAK TERMINAL	1	COPPER ALLOY 0.20T	GOLD FLASH ON CONTACT AREA TIN PLATED ON SOLDER TAIL, ALL OVER NICKEL PLATED.
F	TRANSFER TERMINAL	1	COPPER ALLOY 0.20T	
E	RING A	1	COPPER ALLOY 0.20T	
D	TIP	1	COPPER ALLOY 0.25T	
C	RING B	1	COPPER ALLOY 0.30T	PLATING TIN
B	EARTH	1	COPPER ALLOY 0.20T	GOLD FLASH
A	BODY	1	HIGH TEMP.THERMOPLASTIC UL 94V-0	BLACK
NO.	DESCRIPTION	QTY.	MATERIAL	PLATING & COLOR

UNLESS OTHERWISE SPECIFIED TOLERANCES		Singatron Enterprise Co., Ltd. 信音企業股份有限公司		
DECIMALS:	ANGLES:	TITLE	ø3.5 PHONE JACK	
X : ±0.5	X : ±2°	DWN	Junkang-Zhong	PART NO.: 2SJ2349-004111F
X.X : ±0.3	X.X : ±1°	CHKD	Qicai-Hu	SCALE 1:1 UNIT: mm
X.XX : ±0.2		APVD	Jin-dang	SIZE: A3 SHEET: 10F1 REV: A
CUSTOMER COPY				