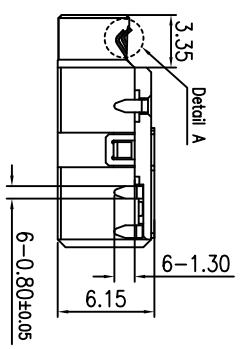
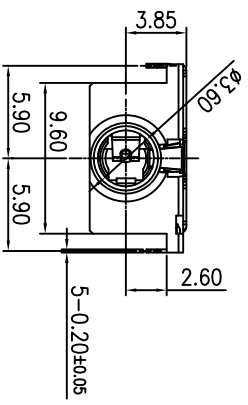
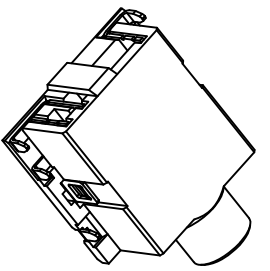
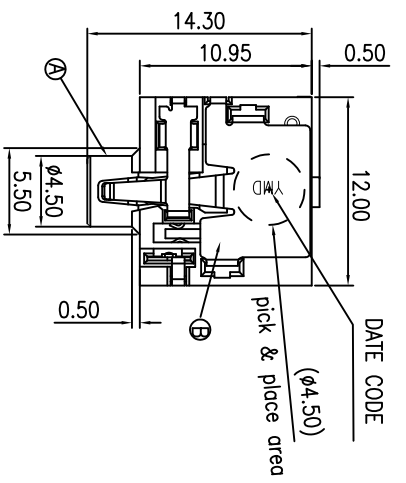
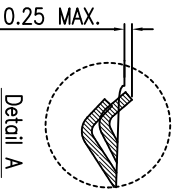


REV/ECN	NO OR DESCRIPTION	REVISED	DATE
A	PRODUCT RELEASE	CHEN	2015/07/14

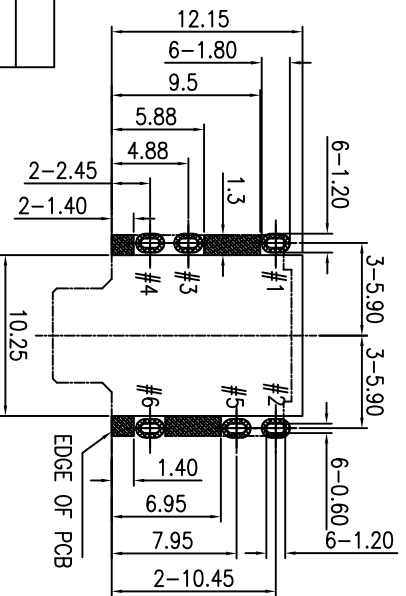
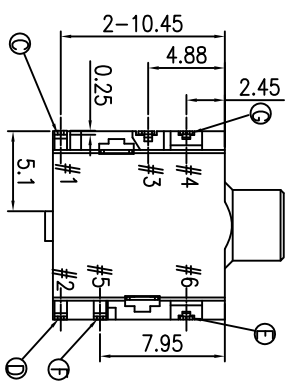


SPECIFICATIONS:

- ELECTRICAL CHARACTERISTICS:
 - RATING: 36V, 1A.
 - CONTACT RESISTANCE: 50m Ω MAX.
 - DIELECTRIC WITHSTANDING VOLTAGE: 500V AC FOR ONE MINUTE.
 - INSULATION RESISTANCE: 100MΩ MIN. MEASURED BY 500V DC
- MECHANICAL CHARACTERISTICS:
 - INSERTION FORCE: 0.4~3.0 KGf
 - WITHDRAWAL FORCE: 0.4~3.0 KGf
 - LIFE TEST: 5,000 CYCLES MIN.
 - OVERLOAD FORCE: 4 KGf.
- OTHER GENERAL SPEC. TO REFER "2SJ2311 SERIES SPEC".
- TO CONFORM TO THE SINGATRON HAZARDOUS SUBSTANCE FREE SPEC.
- HALOGEN FREE PRODUCT IDENTIFICATION MARK ON JACK: ○
- HALOGEN FREE PRODUCT IDENTIFICATION LABEL ON PACKAGING: ○
- FOR REFLOW SOLDERING LEAD-FREE PROCESS.
- PACKAGING: TAPE & REEL.

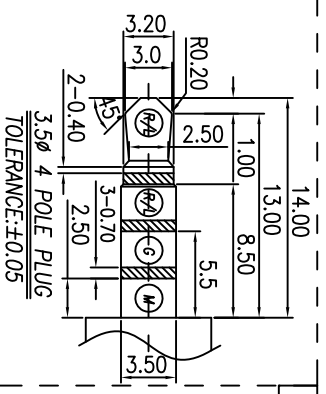
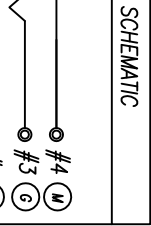


Product application:
The spring working position when Plug-In.



RECOMMENDED P.C.B. LAYOUT T=1.00
TOP VIEW (TOLERANCE: ±0.05)
STAND OFF AREA

NO	DESCRIPTION	QTY	MATERIAL	PLATING & COLOR
G	EARTH	1	PHOSPHOR BRONZE 0.20T	
F	TRANSFER TERMINAL	1	PHOSPHOR BRONZE 0.20T	
E	MAKE TERMINAL	1	PHOSPHOR BRONZE 0.20T	Au 1~3μ" ON CONTACT AND SOLDER TML ALL OVER IN 40~80μ" PLATED
D	RING	1	PHOSPHOR BRONZE 0.20T	
C	TIP	1	PHOSPHOR BRONZE 0.25T	
B	SHIELD	1	PHOSPHOR BRONZE 0.20T	SOLDERABLE IN 60μ" Min.
A	BODY	1	PA-4T+30%GF UL 94V-0	BLACK



DECIMALS:	ANGLES:	TITLE
X : ±0.5	X : ±2°	DWN
X.X : ±0.3	X.X : ±1'	CHKD
X.XX : ±0.2		APVD

UNLESS OTHERWISE SPECIFIED TOLERANCES		SINGATRON ENTERPRISE CO., LTD.	
DECIMALS: ANGLES:		信音企業股份有限公司	
TITLE		3.50 PHONE JACK	
DWN	DATE: 10/17/2014	PART NO.	2SJ2352-001111F
CHKD	SCALE: 1:1	UNIT:	mm
APVD	DATE: 10/17/2014	SHEET:	10F1
SIZE: A3		REV: A	
CUSTOMER COPY			