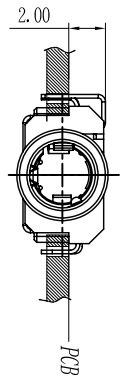
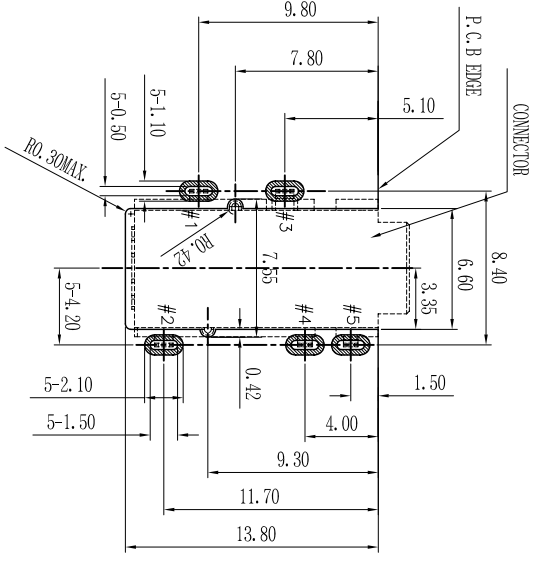
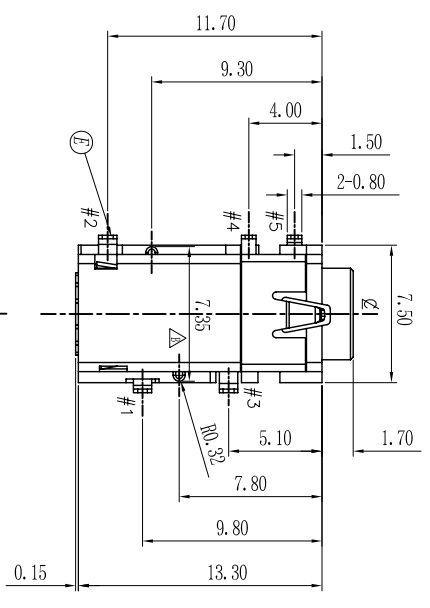
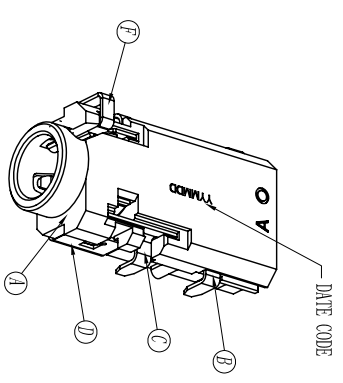
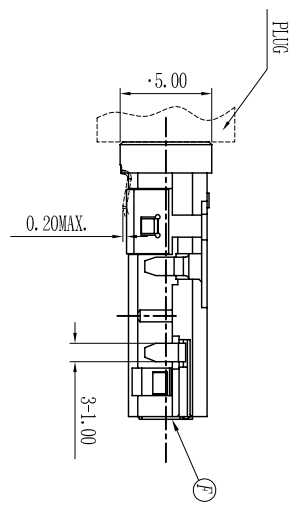
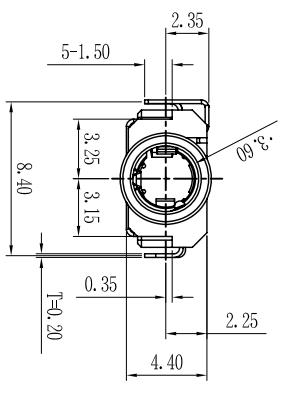
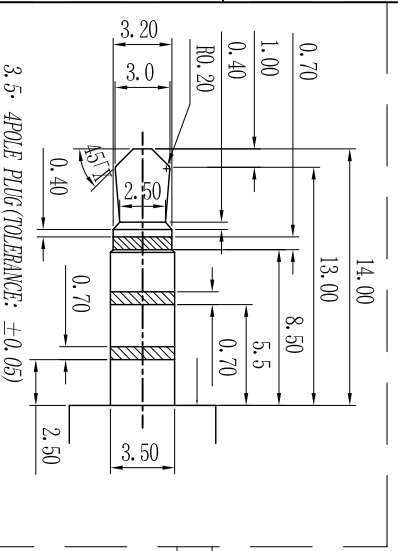
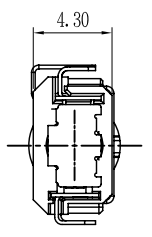


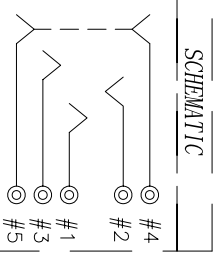
REV.	ECN NO OR DESCRIPTION	REVISED	DATE
A	PRODUCT RELEASE	Sticky	2012.04.09
B	ENC120123 UPRATE DRAWING	DAOWEN	2012.05.30



RECOMMENDED P.C.B. LAYOUT  
TOP VIEW (TOLERANCE: ±0.05)



3.5-4POLE PLUG (TOLERANCE: ±0.05)



- SPECIFICATIONS:
- ELECTRICAL CHARACTERISTICS:
    - 1-1. RATING: 12V 1A
    - 1-2. CONTACT RESISTANCE: 30 MILLIOMHS MAX. FOR INITIAL, 50 MILLIOMHS MAX. AFTER 5000 CYCLES.
    - 1-3. INSULATION RESISTANCE: 100 MEGOHMS MIN. BY 500V DC AFTER 1 MINUTE.
    - 1-4. DIELECTRIC WITHSTANDING VOLTAGE: 500V RMS AFTER 1 MINUTE.
  - MECHANICAL CHARACTERISTICS:
    - 2-1. INSERTED FORCE: 0.3-3.0 kgf
    - 2-2. WITHDRAWAL FORCE: 0.3-3.0 kgf
  - LIFE TEST: 5,000 CYCLES MIN.
  - OTHERS TO CONFORM TO THE "3.5-AUDIO JACK SPEC".
  - HALOGEN FREE PRODUCT IDENTIFICATION MARK:
  - HALOGEN FREE PRODUCT IDENTIFICATION LABEL ON PACKAGING:
  - FOR REFLOW SOLDERING LEAD-FREE PROCESS.
  - PACKAGING: TAPE & REEL.

NO	DESCRIPTION	QTY	MATERIAL	PLATING & COLOR
A	BODY	1	HI-TEMP THERMOPLASTIC	BLACK
B	TIP	1	COPPER ALLOY 0.2t	
C	RING B	1	COPPER ALLOY 0.2t	
D	EARTH	1	COPPER ALLOY 0.2t	Gold Flash on contact area and solder tail, All over Nickel Plated.
E	RING A	1	COPPER ALLOY 0.2t	
F	GROUND	1	COPPER ALLOY 0.2t	
G	COVER	1	SUS 0.15t	

UNLESS OTHERWISE SPECIFIED TOLERANCES

DECIMALS: ANGLES: X: ±0.5 X: ±2° X.X: ±0.3 X.X: ±1° X.XX: ±0.2

TITLE		.3.5 PHONE JACK	
DWG	DAOWEN, 2012.05.30	PART NO.	25J2361-000111F
CHKD	ZHANG, 2012.05.30	SCALE	3:1
APVD	LIANG, 2012.05.30	UNIT	MM
		SIZE	A3
		SHEET	10/1
		REV.	B

CUSTOMER COPY

信音企業股份有限公司  
Singatton Enterprise Co., Ltd.