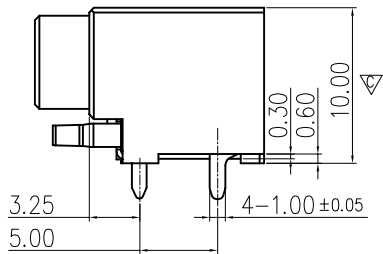
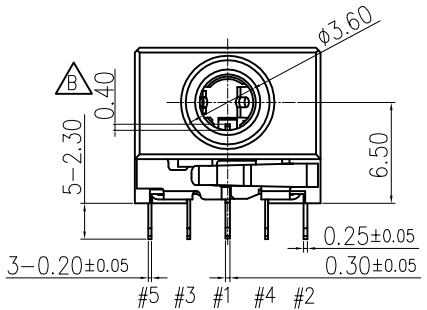
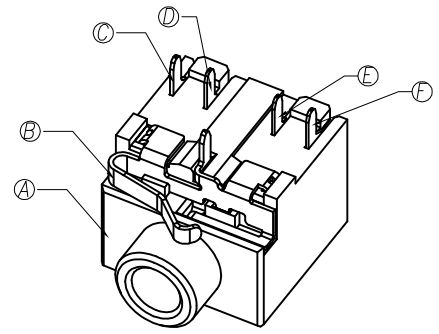
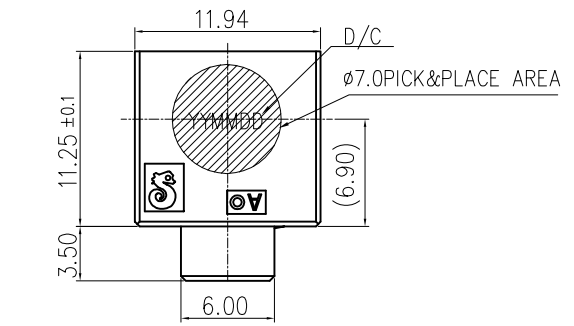
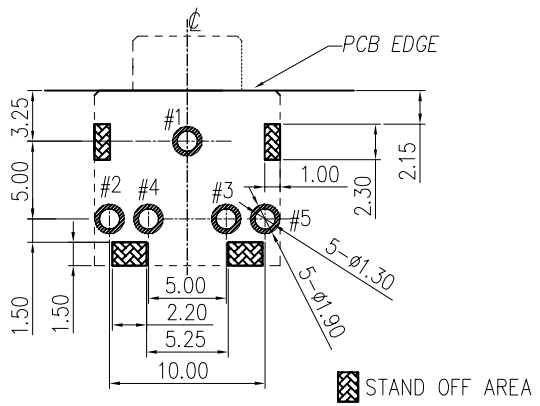
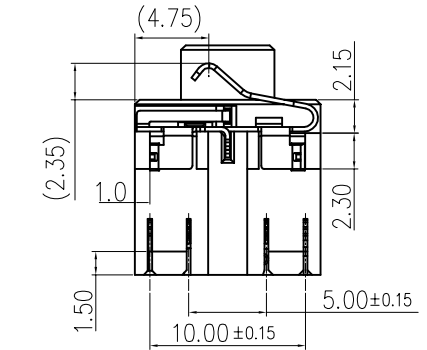


REV.	ECN NO OR DESCRIPTION	REVISED	DATE
A	PRODUCT RELEASE	WZJ_WEI	2016.10.19
B	ECN C201912-C03	CHENEY	2020.03.30
C	ECN: C202210-007 產品瘦身	Ziwei-Wu	2023.01.06



- ELECTRICAL CHARACTERISTICS:
 - CURRENT RATING: 1A.
 - CONTACT RESISTANCE: 50mΩ MAX.
 - DIELECTRIC WITHSTANDING VOLTAGE: 500V AC FOR ONE MINUTE.
 - INSULATION RESISTANCE: 100MΩ MIN. MEASURED BY 500 VDC
- MECHANICAL CHARACTERISTICS:
 - INSERTION FORCE : 0.4~3.0 KGF
 - WITHDRAWAL FORCE : 0.3~3.0 KGF
- LIFE TEST: 5,000 CYCLES.
- OTHER GENERAL SPEC. TO REFER "2SJ2364 SERIES SPEC".
- TO CONFORM TO THE SINGATRON HAZARDOUS SUBSTANCE FREE SPEC.
- HALOGEN FREE PRODUCT IDENTIFICATION MARK ON JACK:
- HALOGEN FREE PRODUCT IDENTIFICATION LABEL ON PACKAGING:
- FOR REFLOW SOLDERING LEAD-FREE PROCESS.
- PACKAGING: TAPE & REEL.



RECOMMENDED P.C.B. LAYOUT
TOP VIEW (TOLRANCE: ±0.05)

TABLE:

P/N	COLOR
2SJ2364-000121F	LIME 577C
2SJ2364-000131F	PINK 701C

F	RING	1	COPPER ALLOY 0.2T	Au 30u" ON CONTACT AREA AND GOLD FLASH
E	MAKE TERMINAL	1	COPPER ALLOY 0.2T	ON SOLDER TAIL AREA, Ni
D	TRANSFER	1	COPPER ALLOY 0.2T	ALL OVER PLATING
C	TIP	1	COPPER ALLOY 0.25T	
B	EARTH	1	COPPER ALLOY 0.3T	GOLD FLASH OVER Ni PLATING
A	BODY	1	HIGH TEMP. THEROPLASTIC UL 94V-0	SEE TABLE
NO	DESCRIPTION	QTY	MATERIAL	PLATING & COLOR
UNLESS OTHERWISE SPECIFIED TOLERANCES				
Singatron Enterprise Co., Ltd. 				
DECIMALS: ANGLES: TITLE: 3.5Ø PHONE JACK				
X	: ±0.5	X	: ±2°	DWN Ziwei-Wu PART NO. 2SJ2364-0001X1F
XX	: ±0.3	XX	: ±1°	CHKD Qicai-Hu SCALE 1:1 UNIT: mm
XXX	: ±0.2			APVD Jim-deng SIZE: A3 SHEET: 10F1 REV: C
CUSTOMER COPY				

