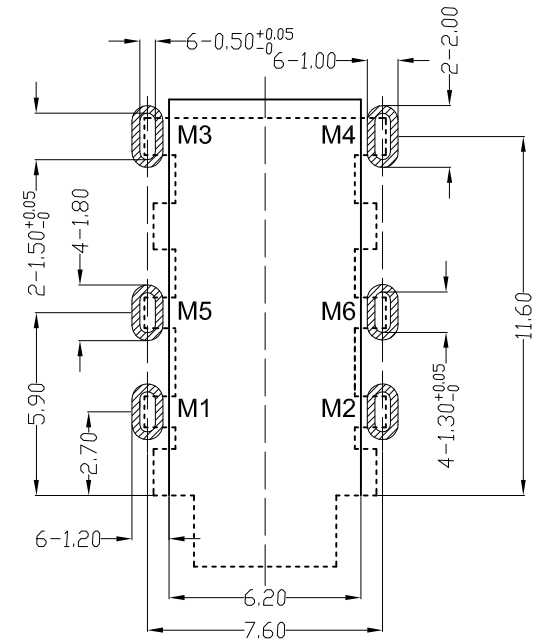
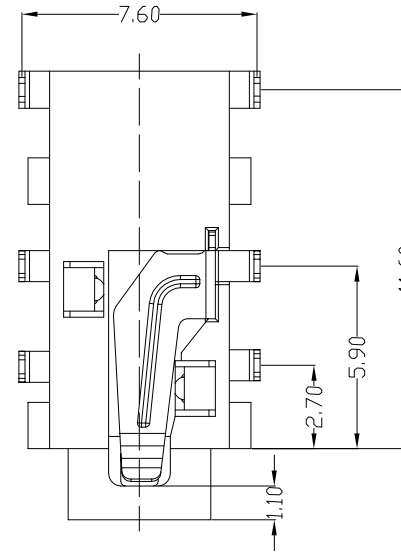
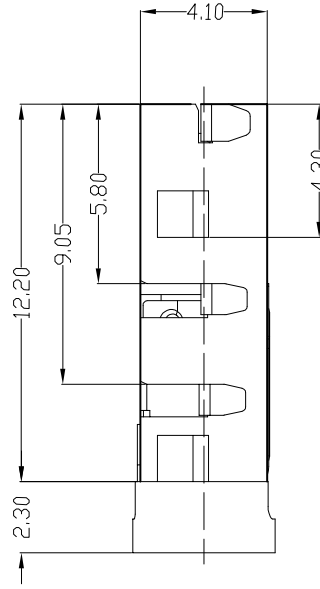
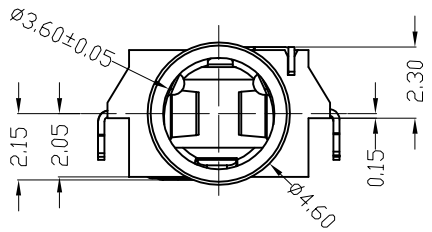
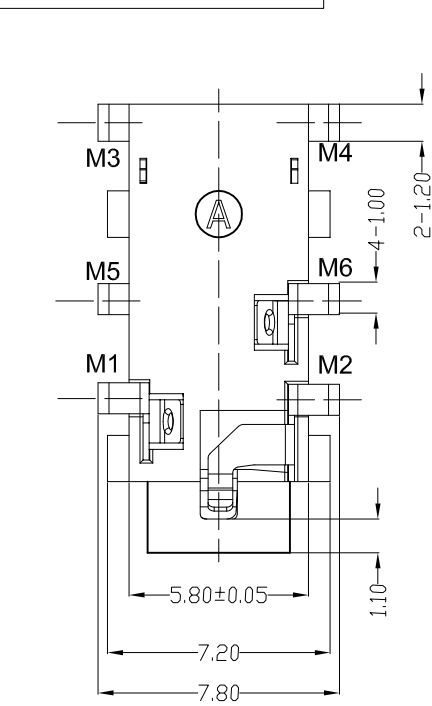
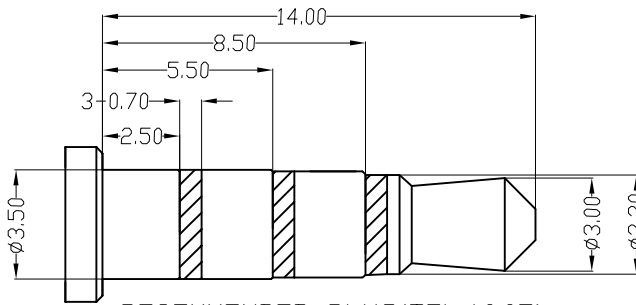


RoHS Compliant

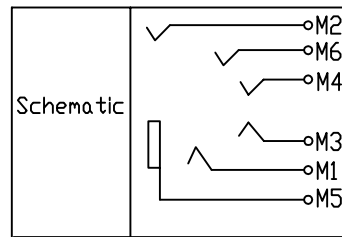


P.C.B LAYOUT
TOP VIEW
tolerance for pcb layout is ± 0.05



RECOMMENDED PLUG(TOL:±0.05)

- SPECIFICATIONS:
- 1.CURRENT RATING:1A,12V DC.
 - 2.CONTACT RESISTANCE:30mΩ MAX.
 - 3.INSULATION RESISTANCE:100MΩ MIN AT 500V DC.
 - 4.WITHSTAND VOLTAGE:AC 500V/1 MINUTE.
 5. OPERATING TEMPERATURE RANGE:-25°C TO +85°C.
 6. INSERTION FORCE: 0.3~3.0Kgf.
 6. EXTRACTION FORCE:0.3~3.0Kgf.



UNLESS OTHERWISE SPECIFIED
DIMENSION ARE IN MILLIMETER
TOLERANCE ARE :
FRACTION DECIMAL ANGLE

.X ± 0.3	X* ± 5°
.XX ± 0.2	.X* ± 3°

No.	TITLE	MATERIAL	FINISH(OR COLOR)	QTY
1	HOUSING	PA9T GN2330, UL94 V-0	BLACK	1
2	Terminal M1	PHOSPHOR BRONZE (C5210R-H),T=0.20mm	GOLD FLASH	1
3	Terminal M2	PHOSPHOR BRONZE (C5210R-H),T=0.20mm	GOLD FLASH	1
4	Terminal M3	PHOSPHOR BRONZE (C5210R-H),T=0.20mm	GOLD FLASH	1
5	Terminal M4	PHOSPHOR BRONZE (C5210R-H),T=0.20mm	GOLD FLASH	1
6	Terminal M5	PHOSPHOR BRONZE (C5210R-H),T=0.20mm	GOLD FLASH	1
7	Terminal M6	PHOSPHOR BRONZE (C5210R-H),T=0.20mm	GOLD FLASH	1

Singatron Enterprise Co., Ltd.

TITLE	ø3.5mm AUDIO JACK		
DWN	Chilles Liu	PART NO. 2SJ2371-06DBG-R00	
CHKD	2015/11/20	SCALE 1:1	UNIT: mm
APVD	Dalven He	SIZE: A3	SHEET:1 OF 1 REV: A

CUSTOMER COPY