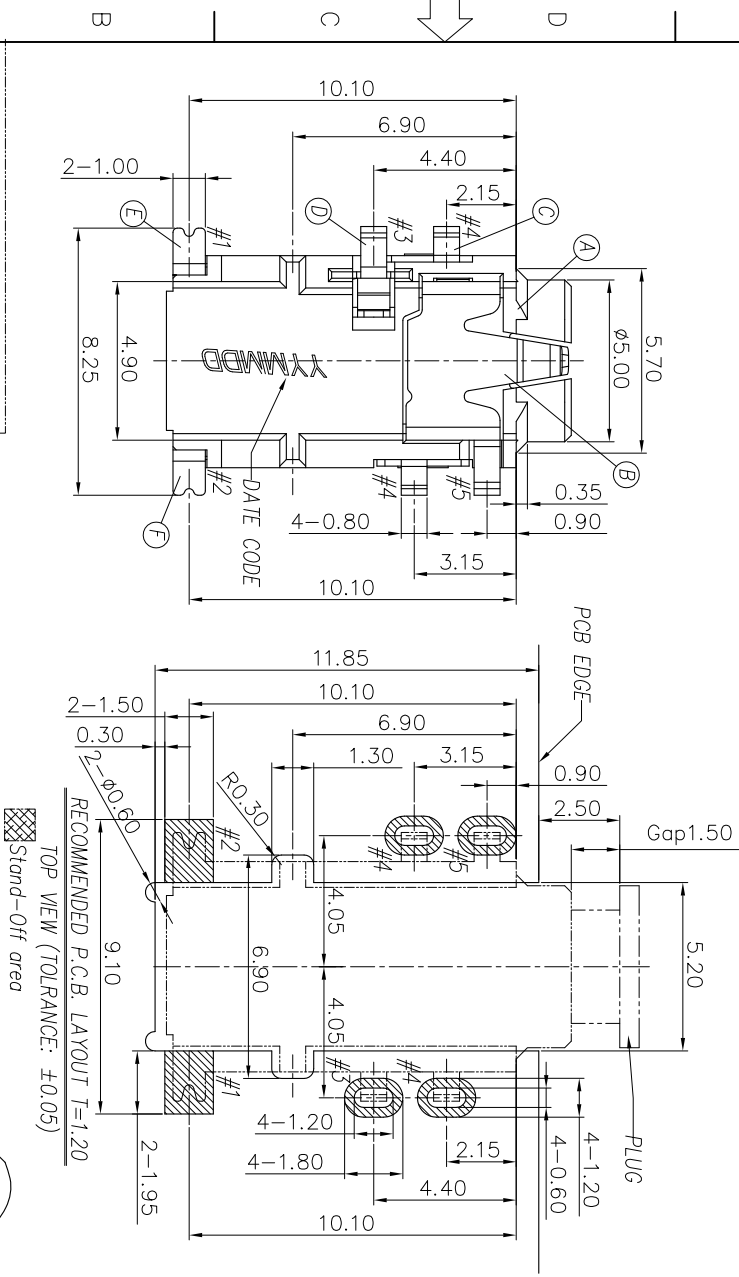
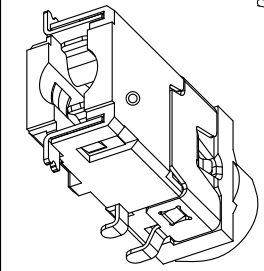
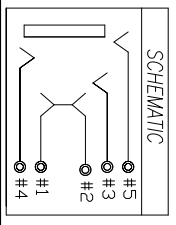
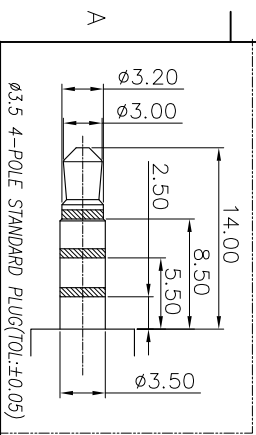


**SPECIFICATIONS:**

1. ELECTRICAL CHARACTERISTICS:
  - 1-1. RATING: 12V/1A
  - 1-2. CONTACT RESISTANCE: 30mΩ(MAX)(INITIAL)
  - 1-3. DIELECTRIC WITHSTANDING VOLTAGE: 500V AC FOR ONE MINUTE.
  - 1-4. INSULATION RESISTANCE: 100MΩ(MIN. MEASURED BY 500 VDC)
2. MECHANICAL CHARACTERISTICS:
  - 2-1. INSERTION FORCE : 0.3~3.0 Kgf .
  - 2-2. WITHDRAWAL FORCE : 0.3~3.0 Kgf .
3. LIFE TEST: 5,000 CYCLES .
4. OTHER GENERAL SPEC. TO REFER "2SJ2400-000111F SPEC".
5. TO CONFORM TO SINGATRON HAZARDOUS SUBSTANCE FREE SPEC.
6. HALOGEN FREE PRODUCT IDENTIFICATION MARK: ©
7. HALOGEN FREE PRODUCT IDENTIFICATION LABEL ON PACKAGING.
8. FOR REFLOW SOLDERING LEAD-FREE PROCESS.
9. PACKAGING: TAPE & REEL.



TOP VIEW (TOLERANCE: ±0.05)  
RECOMMENDED P.C.B. LAYOUT T=1.20  
Stand-Off area



REV.	EGN NO.	OR DESCRIPTION	REVISED	DATE
A	PRODUCT	RELEASE	WEIQQ	2012.10.25
B	EON-C130124	DELETE MYLAR	JUNKANG	2013.08.01

NO	DESCRIPTION	QTY	MATERIAL	PLATING & COLOR
F	TIP-B SPRING	1	COPPER ALLOY 0.25t	
E	RING-A SPRING	1	COPPER ALLOY 0.2t	GOLD FLASH ON CONTACT
D	RING-A	1	COPPER ALLOY 0.2t	AREA & SOLDER TAIL, ALL
C	RING-B	1	COPPER ALLOY 0.2t	OVER NICKEL PLATED
B	EARTH	1	COPPER ALLOY 0.20t	
A	BODY	1	HIGH TEMP. THERMOPLASTIC U94-10	BLACK

UNLESS OTHERWISE SPECIFIED TOLERANCES

DECIMALS: ANGLES:

X : ±0.5 X : ±2°  
 X.X : ±0.3 X.X : ±1°  
 X.XX : ±0.2

TITLE: Ø3.5 PHONE JACK

DWN: 2k 13/8/6 PART NO. 2SJ2400-003111F  
 CHKD: 2z 13/8/6 SCALE 5:1 UNIT: mm  
 APVD: Liao 13/8/6 SIZE: A3 SHEET: 10F1 REV: B

Singatron Enterprise Co., Ltd.  
 信音企業股份有限公司

CUSTOMER COPY