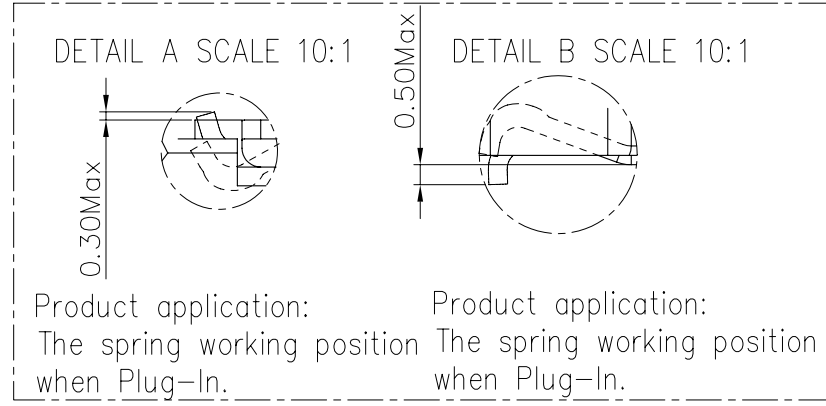
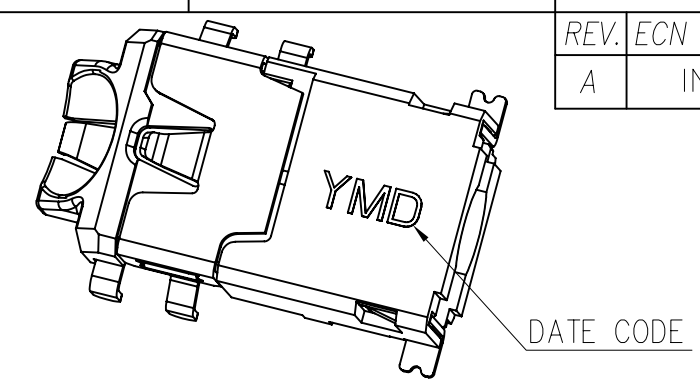
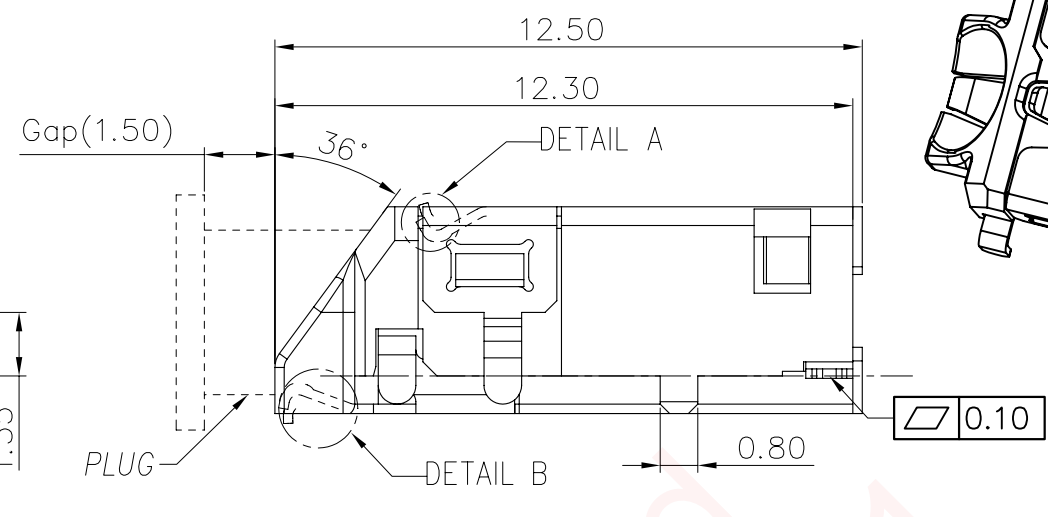
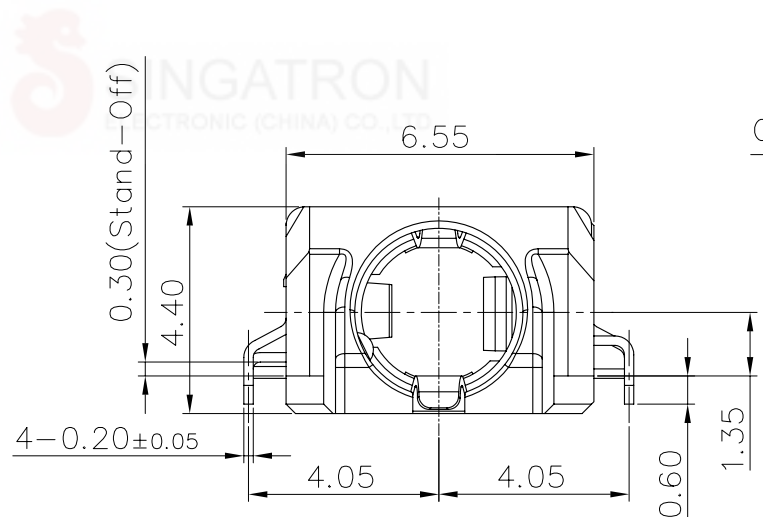
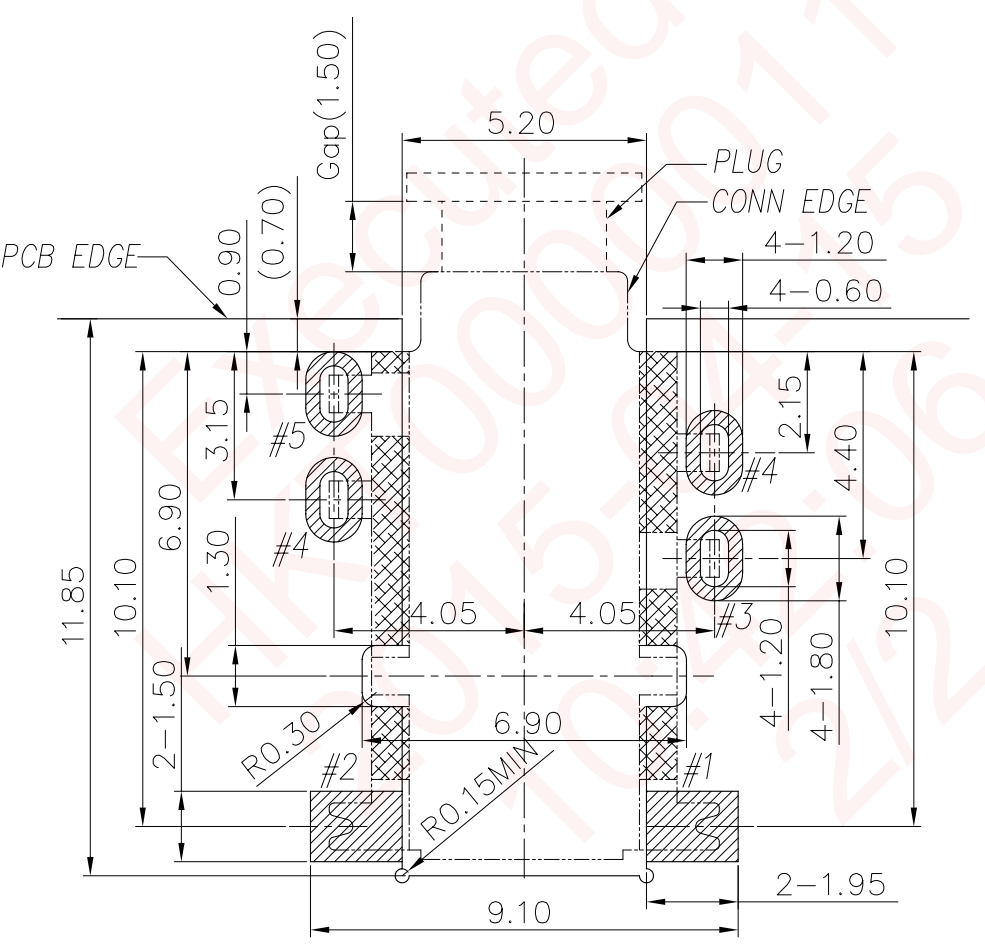
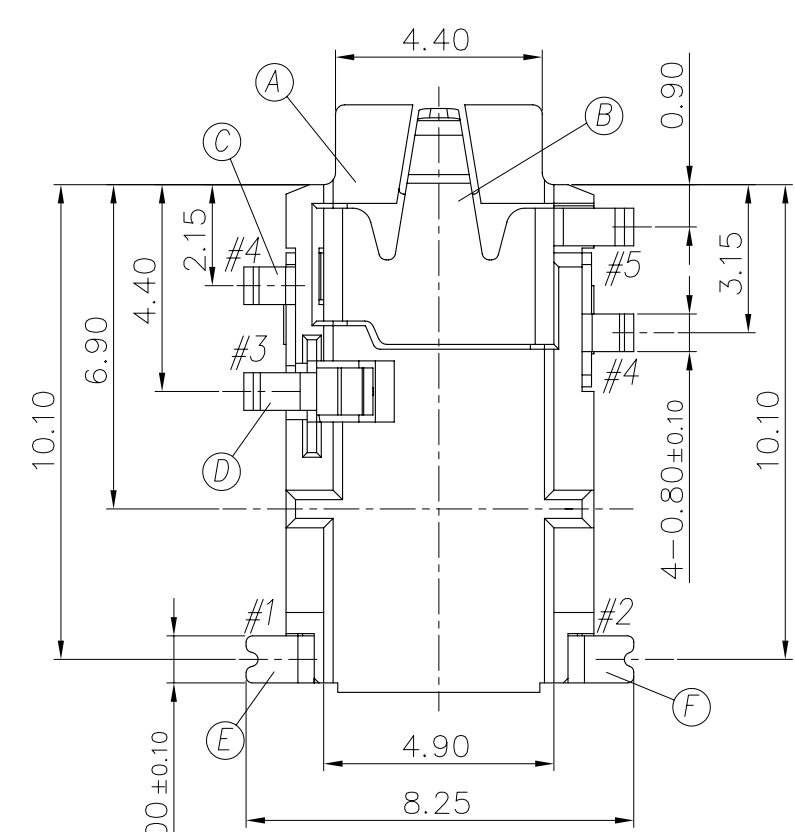


REV.	ECN NO OR DESCRIPTION	REVISED	DATE
A	INITIAL RELEASE	REX	2015.04.07



Product application:
The spring working position when Plug-In.

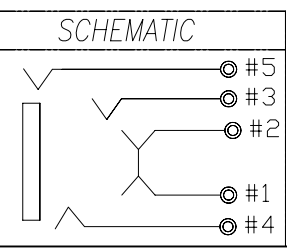
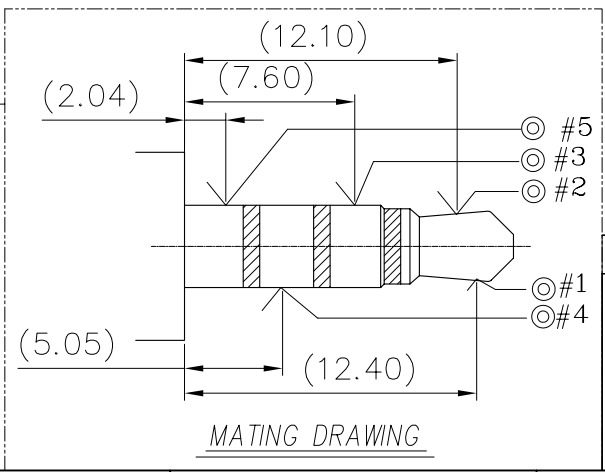
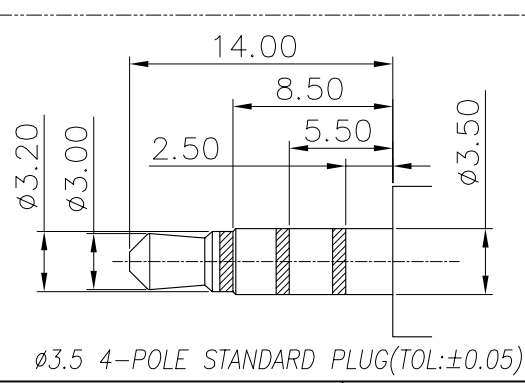
- SPECIFICATIONS:
- ELECTRICAL CHARACTERISTICS:
 - RATING: 12V/1A
 - CONTACT RESISTANCE: 30mΩ MAX.(INITIAL)
 - DIELECTRIC WITHSTANDING VOLTAGE: 500V AC FOR ONE MINUTE.
 - INSULATION RESISTANCE: 100MΩ MIN. MEASURED BY 500 VDC
 - MECHANICAL CHARACTERISTICS:
 - INSERTION FORCE : 0.3~3.0 Kgf .
 - WITHDRAWAL FORCE : 0.3~3.0 Kgf .
 - LIFE TEST: 5,000 CYCLES .
 - OTHER GENERAL SPEC. TO REFER "2SJ2400 SERIES SPEC".
 - TO CONFORM TO SINGATRON HAZARDOUS SUBSTANCE FREE SPEC.
 - HALOGEN FREE PRODUCT IDENTIFICATION MARK: Ⓞ
 - HALOGEN FREE PRODUCT IDENTIFICATION LABEL ON PACKAGING:
 - FOR REFLOW SOLDERING LEAD-FREE PROCESS.
 - PACKAGING: TAPE & REEL.



RECOMMENDED P.C.B. LAYOUT T=1.20

TOP VIEW (TOLRANCE: ±0.05)

Stand-Off area



F	TIP-B SPRING	1	C5210-EH 0.20T	Gold Flash On Contact Area & Solder tail, All over Nickel Plated
E	TIP-A SPRING	1	C5210-EH 0.25T	
D	RING-A	1	C5210-EH 0.20T	
C	RING-B	1	C5210-EH 0.20T	
B	EARTH	1	C5210-EH 0.20T	
A	BODY	1	PA-10T UL94-V0	BLACK

NO	DESCRIPTION	QTY	MATERIAL	PLATING & COLOR
UNLESS OTHERWISE SPECIFIED TOLERANCES				
DECIMALS:			ANGLES:	
X	:±0.5	X	:±2°	
X.X	:±0.3	X.X	:±1°	
X.XX	:±0.2			
TITLE			Singatron Enterprise Co., Ltd. 信音企業股份有限公司	
DWN			Xinrong-Tan 15/4/13	
CHKD			ZhiJun-Wei 15/4/13	
APVD			Zij-Zhou 15/4/13	
PART NO. 2SJ2400-006111F			SCALE 5:1 UNIT: mm	
SIZE: A3			SHEET: 10F1	
REV: A			CUSTOMER COPY	