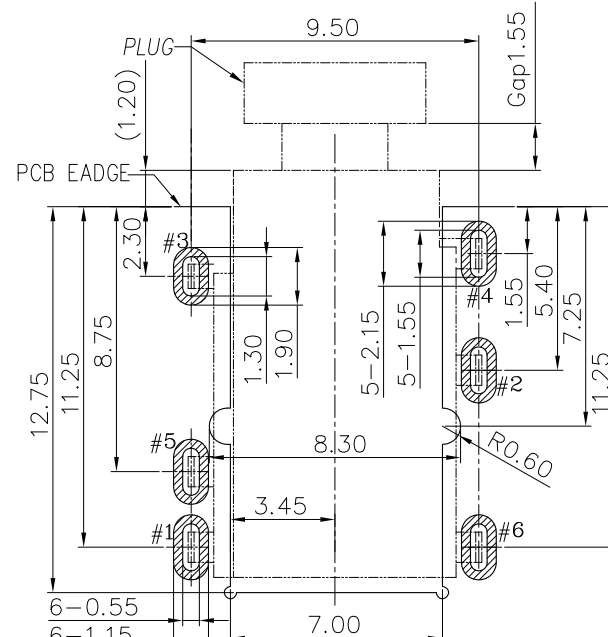
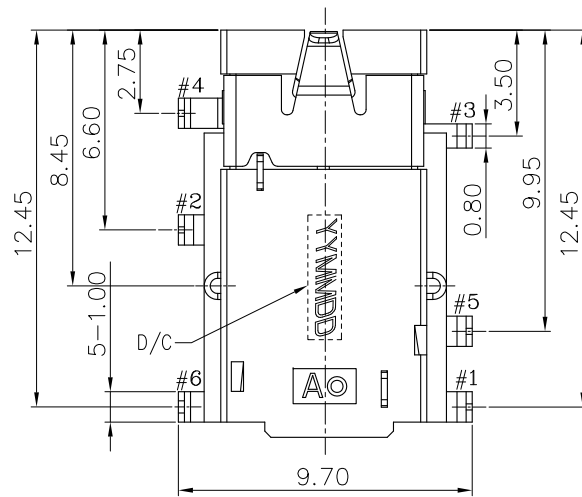
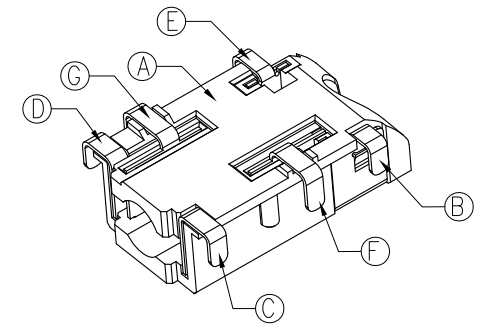
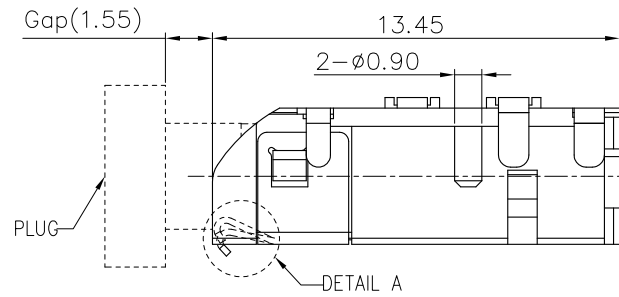
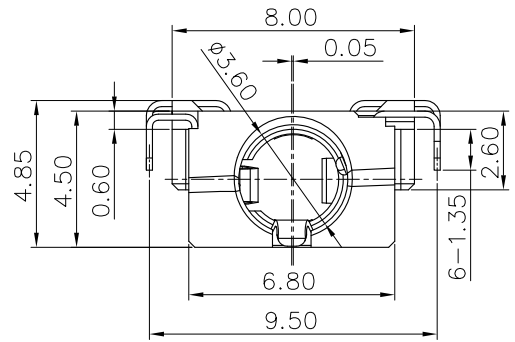


REV.	ECN NO OR DESCRIPTION	REVISED	DATE
A	PRODUCT RELEASE	ARES	2012.11.29



SPECIFICATIONS:

- ELECTRICAL CHARACTERISTICS:
 - RATING: 12V 1A
 - CONTACT RESISTANCE: 30mΩ MAX.(INITIAL)
 - DIELECTRIC WITHSTANDING VOLTAGE: 500V AC FOR ONE MINUTE.
 - INSULATION RESISTANCE: 100M Ω MIN. MEASURED BY 500 VDC
- MECHANICAL CHARACTERISTICS:
 - Initial:
 - INSERTION FORCE : 0.7~2.7kgf.
 - WITHDRAWAL FORCE : 0.7~2.7kgf.
 - After durability test:
 - INSERTION FORCE : 0.35kgf Min
 - WITHDRAWAL FORCE : 0.35kgf Min
- LIFE TEST: 5,000 CYCLES .
- OTHER GENERAL SPEC. TO REFER "GENERAL SPEC".
- TO CONFORM TO SINGATRON HAZARDOUS SUBSTANCE FREE SPEC.
- HALOGEN FREE PRODUCT IDENTIFICATION MARK:
- HALOGEN FREE PRODUCT IDENTIFICATION LABEL ON PACKAGING:
- FOR REFLOW SOLDERING LEAD-FREE PROCESS.
- PACKAGING: TAPE & REEL.

G	SHUNT-B	1	COPPER ALLOY 0.20t	
F	SHUNT-A	1	COPPER ALLOY 0.20t	
E	RING-B	1	COPPER ALLOY 0.20t	Gold Flash On Contact Area & Solder tail, All over Nickel Plated .
D	TIP SPRING	1	COPPER ALLOY 0.20t	
C	RING-A	1	COPPER ALLOY 0.20t	
B	EARTH	1	COPPER ALLOY 0.20t	
A	BODY	1	HIGH TEMP. THERMOPLASTIC UL94-V0	BLACK
NO	DESCRIPTION	QTY	MATERIAL	PLATING & COLOR

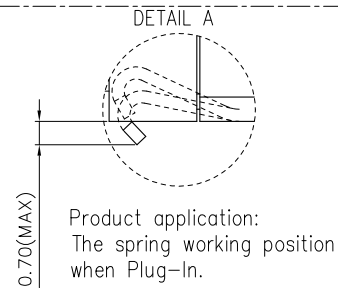
UNLESS OTHERWISE SPECIFIED TOLERANCES

DECIMALS: ANGLES:
 X :±0.5 X :±2°
 X.X :±0.3 X.X :±1°
 X.XX :±0.2

Singatron Enterprise Co., Ltd.
 信音企業股份有限公司

TITLE	ø3.5 PHONE JACK		
DWN	ARES	2012.11.29	PART NO. 2SJ2401-000111F
CHKD	WINKAN	2012.11.30	SCALE 5:1 UNIT: mm
APVD	LMO	2012.11.30	SIZE: A3 SHEET: 10F1 REV: A

CUSTOMER COPY



MATING PLUG SCHEMATIC

