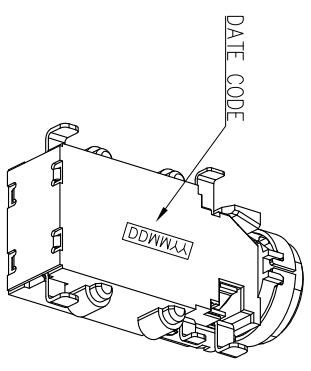
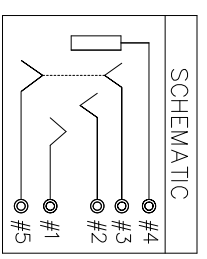


REV: A	ECN NO. OR DESCRIPTION: PRODUCT RELEASE	REVISED: HATOUT	DATE: 2012.12.21
--------	---	-----------------	------------------



**SPECIFICATIONS:**

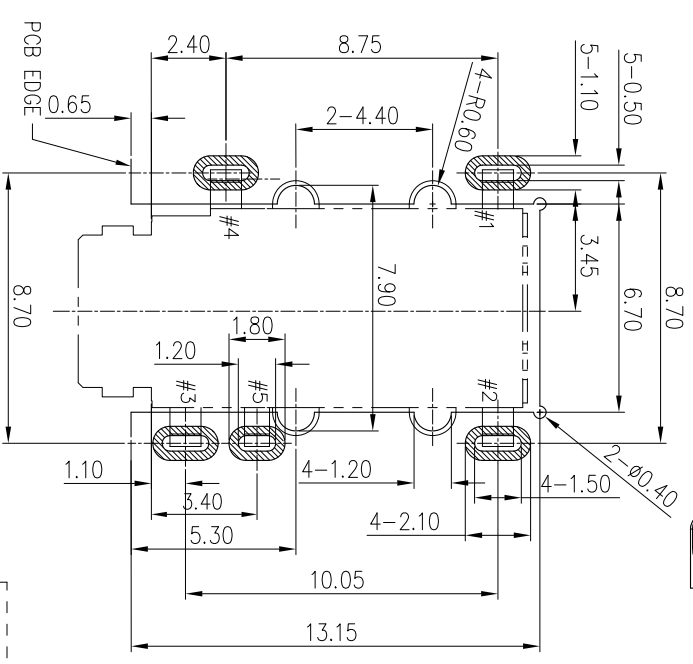
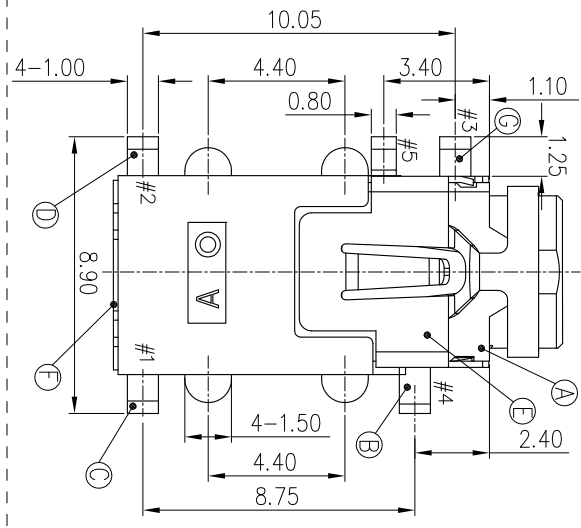
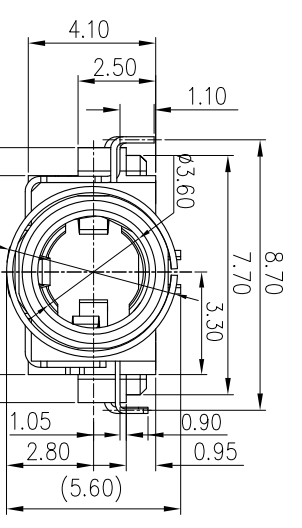
- 1. ELECTRICAL CHARACTERISTICS:**  
 1-1. RATING: 12V 1A  
 1-2. CONTACT RESISTANCE: 30mΩ MAX. (INITIAL)  
 1-3. DIELECTRIC WITHSTANDING VOLTAGE: 500V AC FOR ONE MINUTE.  
 1-4. INSULATION RESISTANCE: 100MΩ MIN. MEASURED BY 500 VDC
- 2. MECHANICAL CHARACTERISTICS:**  
 2-1. INSERTION FORCE : 0.3~3.0 KGF  
 2-2. WITHDRAWAL FORCE : 0.3~3.0 KGF
- 3. LIFE TEST: 5,000 CYCLES.**
- 4. OTHER GENERAL SPEC. TO REFER "3.5ΦPHONE JACK SPEC".**
- 5. TO CONFORM TO THE SINGATRON HSF SPEC.**
- 6. HALOGEN FREE PRODUCT IDENTIFICATION MARK ON PRODUCT:**
- 7. HALOGEN FREE PRODUCT IDENTIFICATION LABEL ON PACKAGING:**
- 8. FOR REFLOW SOLDERING LEAD-FREE PROCESS.**
- 9. PACKAGING: TAPE & REEL.**

G	RING SPRING B	1	COPPER ALLOY 0.2T	GOLD FLASH
F	COVER	1	STAINLESS STEEL	N/A
E	RING SPRING B1	1	COPPER ALLOY 0.2T	TIN
D	RING SPRING A	1	COPPER ALLOY 0.2T	GOLD FLASH ON CONTACT AREA & SOLDER TAIL. ALL OVER NICKEL PLATED
C	TIP SPRING	1	COPPER ALLOY 0.2T	
B	EARTH	1	COPPER ALLOY 0.15T	
A	BODY	1	HIGH TEMP. THERMOPLASTIC U94-V0	BLACK
NO	DESCRIPTION	QTY	MATERIAL	PLATING & COLOR

UNLESS OTHERWISE SPECIFIED TOLERANCES

DECIMALS:	ANGLES:
X : ±0.5	X : ±2°
XX : ±0.3	XX : ±1°
XXX : ±0.2	

UNLESS OTHERWISE SPECIFIED TOLERANCES: ±0.05



RECOMMENDED PCB LAYOUT  
 TOP VIEW (TOLERANCE: ±0.05)

