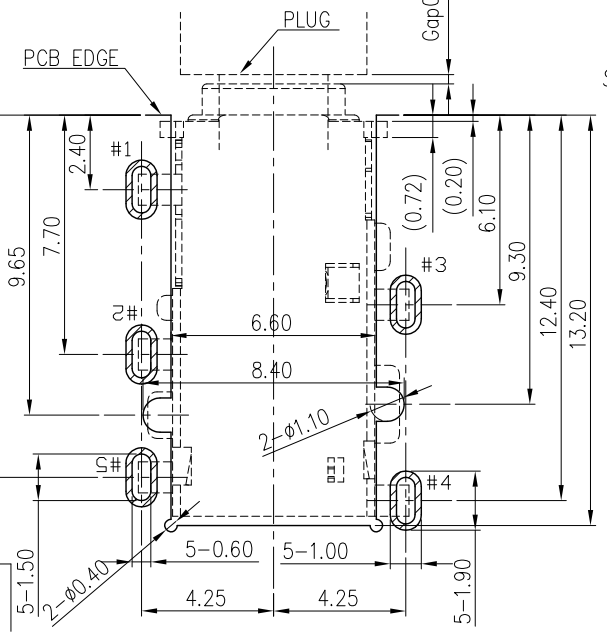
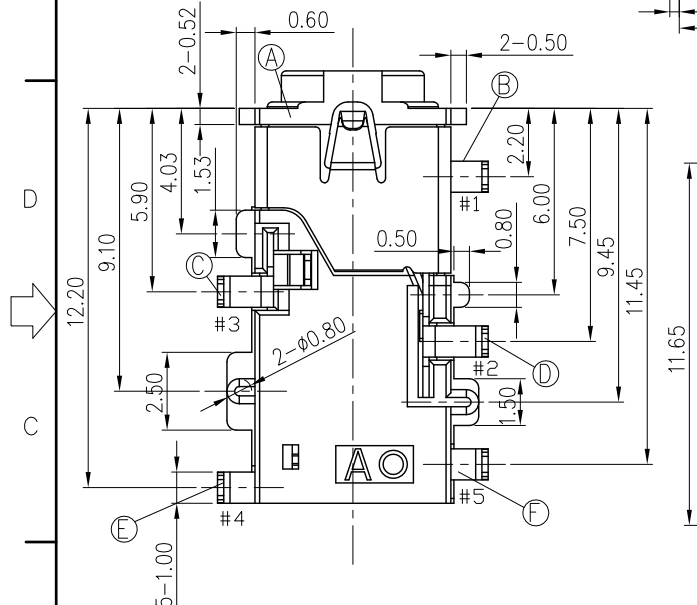
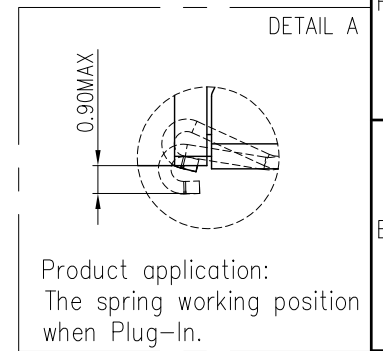
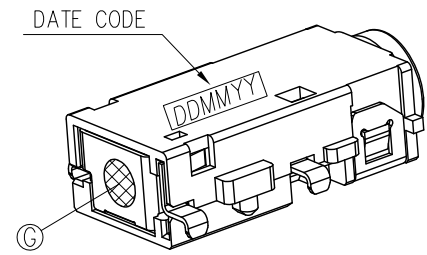
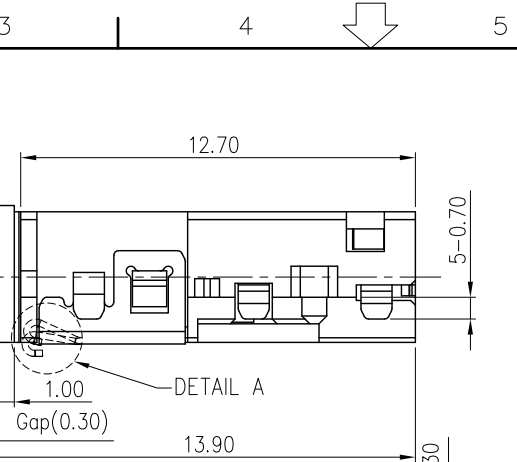
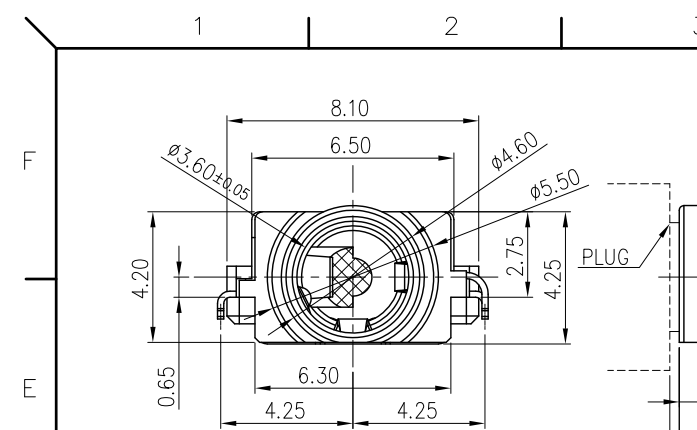
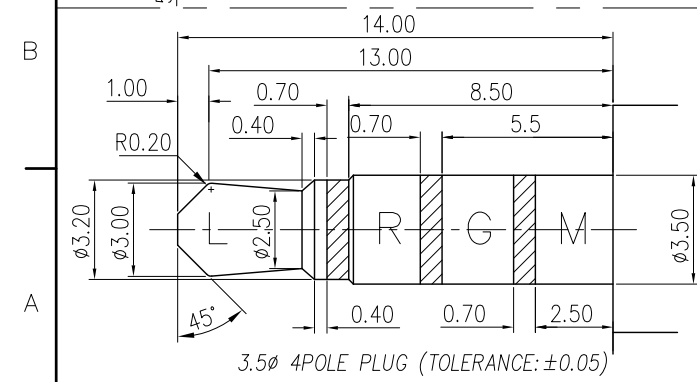
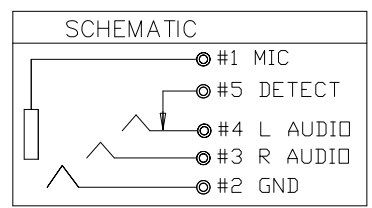


REV.	ECN NO OR DESCRIPTION	REVISED	DATE
A	PRODUCT RELEASE	ARES	2013.05.10



RECOMMENDED PCB LAYOUT
TOP VIEW (TOLERANCE: ±0.05)



SPECIFICATIONS:

- ELECTRICAL CHARACTERISTICS:
 - 1-1. RATING: 5V, 0.5A Min.
 - 1-2. CONTACT RESISTANCE: 70 MILLIOHMS Max.
 - 1-3. INSULATION RESISTANCE: 100 MEGAOHMS Min. BY 500V DC.
 - 1-4. DIELECTRIC WITHSTANDING VOLTAGE: 500V RMS AFTER 1 MINUTE.
- MECHANICAL CHARACTERISTICS:
 - 2-1. INSERTION FORCE : 0.3~3.0Kgf;
 - 2-2. WITHDRAWAL FORCE : 0.3~3.0Kgf;
- LIFE TEST: 5,000 CYCLES.
- TO CONFORM TO SINGATRON HAZARDOUS SUBSTANCE FREE SPEC.
- HALOGEN FREE PRODUCT IDENTIFICATION MARK ON PRODUCT: (G)
- HALOGEN FREE PRODUCT IDENTIFICATION LABEL ON PACKAGING: (G)
- FOR REFLOW SOLDERING LEAD-FREE PROCESS.



G	MYLAR	1	MYLAR 0.075T	
F	SHUNT	1	COPPER ALLOY 0.2T	Gold Flash on Contact Area And Solder Tail, Nickel Plated All Over.
E	TIP SPRING	1	COPPER ALLOY 0.2T	
D	RING SPRING B	1	COPPER ALLOY 0.2T	
C	RING SPRING A	1	COPPER ALLOY 0.2T	
B	EARTH	1	COPPER ALLOY 0.2T	
A	BODY	1	HIGH TEMP. THERMOPLASTIC UL94-V0	BLACK
NO	DESCRIPTION	QTY	MATERIAL	PLATING & COLOR
UNLESS OTHERWISE SPECIFIED TOLERANCES			Singatron Enterprise Co., Ltd. 信音企業股份有限公司	
DECIMALS: ANGLES:		TITLE: 3.5 PHONE JACK		
X : ±0.5	X : ±2°	DWN	Area 13/5/15	PART NO. 2SJ2405-001111F
XX : ±0.3	XX : ±1°	CHKD	Winkon 13/5/15	SCALE 6:1 UNIT: mm
XXX : ±0.2		APVD	Liao 13/5/15	SIZE: A3 SHEET: 1 OF 1 REV: A
CUSTOMER COPY				