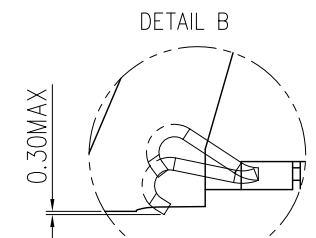
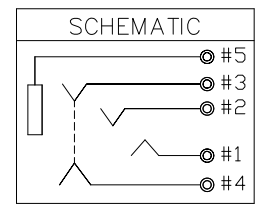
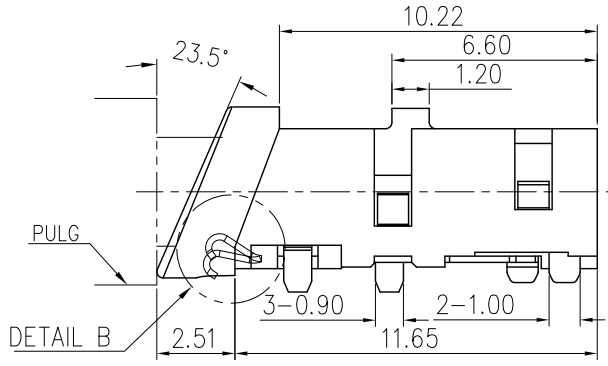
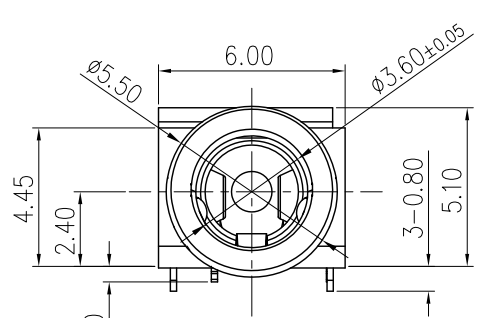
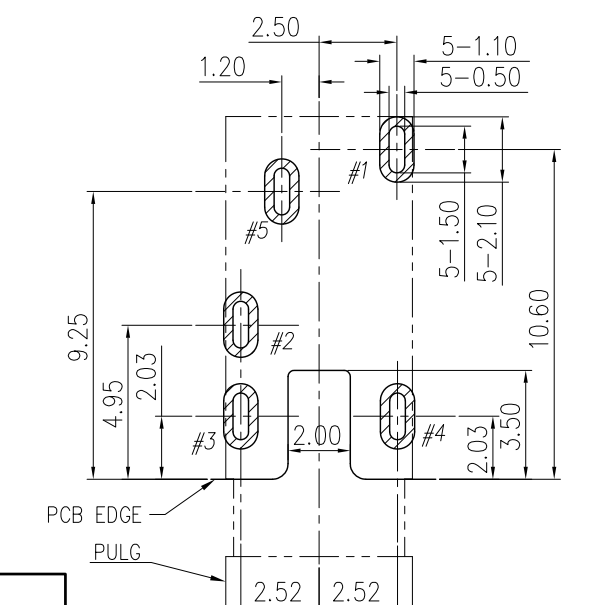
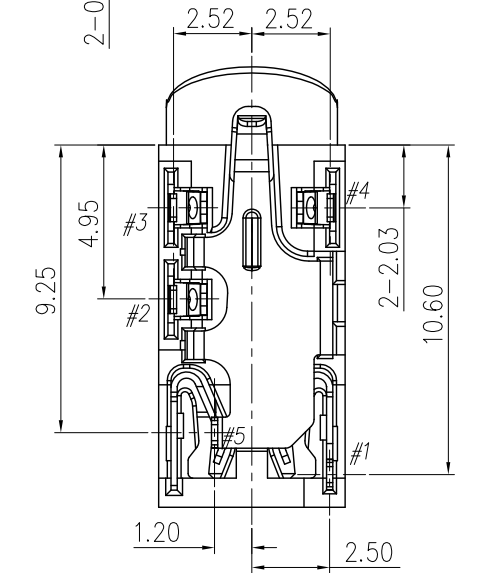


| | | | |
|------|-----------------------|---------|------------|
| REV. | ECN NO OR DESCRIPTION | REVISED | DATE |
| A | PRODUCT RELEASE | Landy | 2013.12.12 |

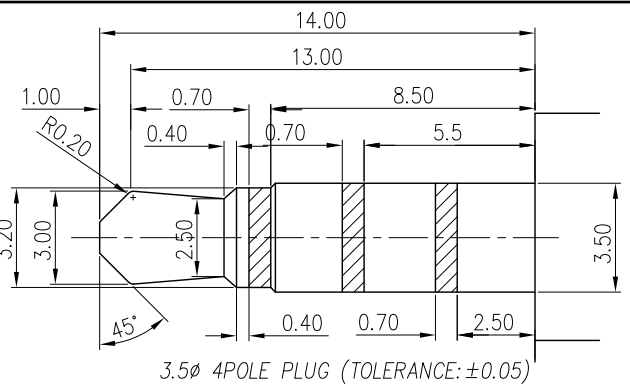


Product application:
The spring working position when Plug-In.

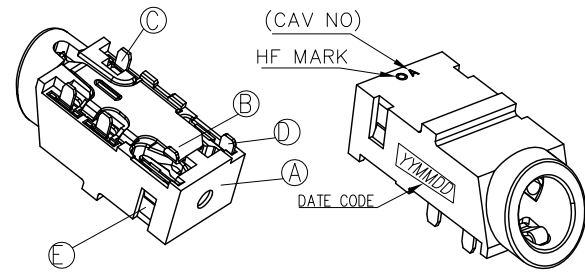


SPECIFICATIONS:

- ELECTRICAL CHARACTERISTICS:**
 - RATING: 12V, 1A .
 - CONTACT RESISTANCE: 50 mΩ Max. FOR INITIAL, 100 mΩ Max. AFTER 5000 CYCLES.
 - INSULATION RESISTANCE: 100 MEGAOHMS Min. BY 500V DC .
 - DIELECTRIC WITHSTANDING VOLTAGE: 500V RMS AFTER 1 MINUTE.
- MECHANICAL CHARACTERISTICS:**
 - TEST BEFORE INSERTION AND WITHDRAWAL FORCE : 0.3~3.0 KGF
 - AFTER DURABILITY TEST INSERTION AND WITHDRAWAL FORCE : 0.2~3.0 KGF
- LIFE TEST: 5,000 CYCLES .
- OTHER GENERAL SPEC. TO REFER "3.5 PHONE JACK SPEC".
- TO CONFORM TO SINGATRON HAZARDOUS SUBSTANCE FREE SPEC.
- HALOGEN FREE PRODUCT IDENTIFICATION MARK ON PRODUCT:
- HALOGEN FREE PRODUCT IDENTIFICATION LABEL ON PACKAGING:
- FOR REFLOW SOLDERING LEAD-FREE PROCESS.



RECOMMENDED PCB LAYOUT
TOP VIEW (TOLERANCE: ±0.05)



| E | DUMMY PIN | 1 | COPPER ALLOY 0.20T | |
|---------------------------------------|--------------|-----------------------|------------------------------------|--|
| D | TIP SPRING A | 1 | COPPER ALLOY 0.20T | GOLD FLASH ON CONTACT AREA & SOLDER TAIL, ALL OVER NICKEL PLATED |
| C | RING SPRING | 3 | COPPER ALLOY 0.20T | |
| B | EARTH | 1 | COPPER ALLOY 0.20T | |
| A | BODY | 1 | HIGH TEMP. THERMOPLASTIC UL94-V0 | BLACK |
| NO | DESCRIPTION | QTY | MATERIAL | PLATING & COLOR |
| UNLESS OTHERWISE SPECIFIED TOLERANCES | | | Singatron Enterprise Co., Ltd. | |
| DECIMALS: ANGLES: | | TITLE: 3.5 PHONE JACK | | |
| X | : ±0.5 | X | : ±2° | DWN WZB 13/12/17 PART NO. 2SJ2406-001111F |
| XX | : ±0.3 | XX | : ±1° | CHKD Ares 13/12/17 SCALE 6:1 UNIT: mm |
| XXX | : ±0.2 | | | APVD Liao 13/12/17 SIZE: A3 SHEET: 1 OF 1 REV: A |
| CUSTOMER COPY | | | | |