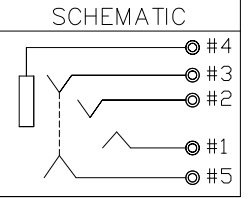
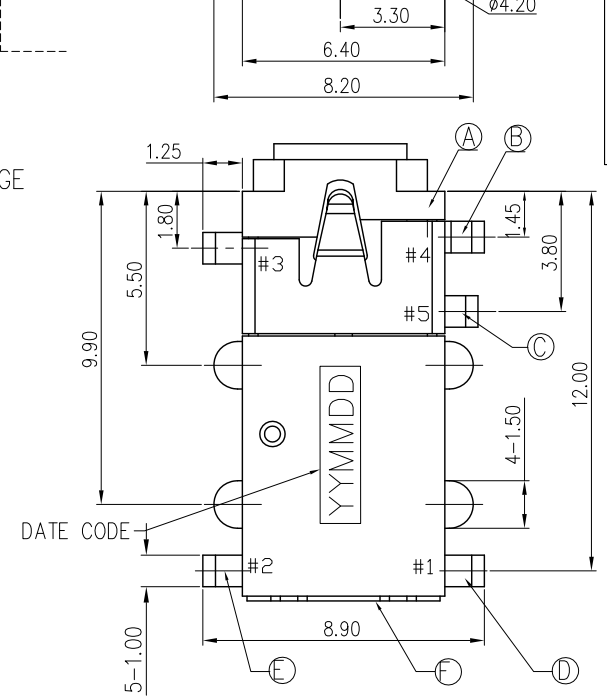
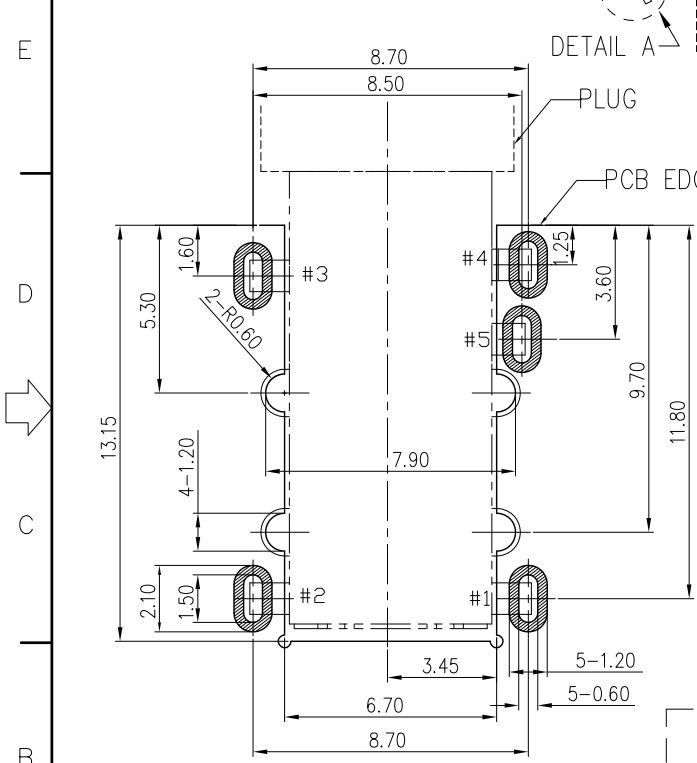
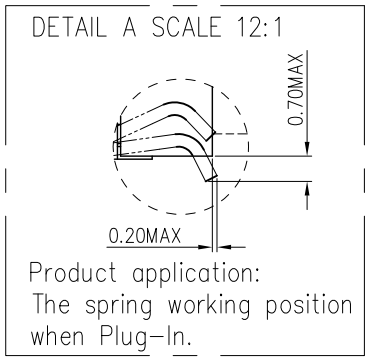
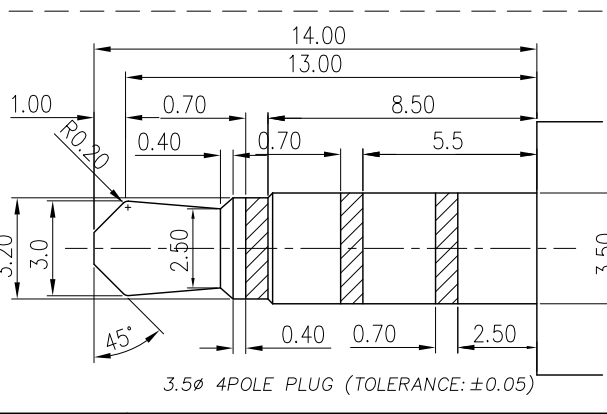
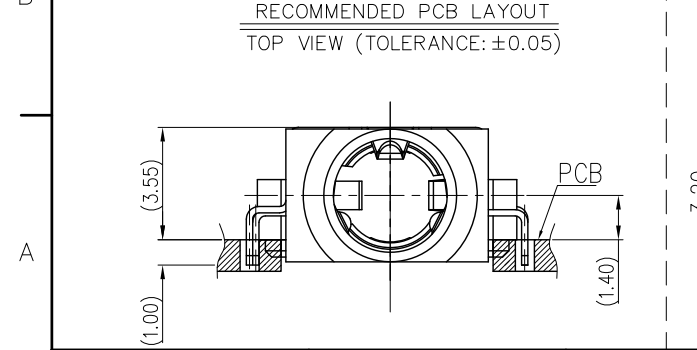
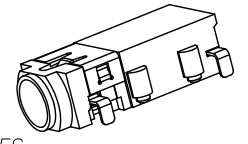


REV.	ECN NO OR DESCRIPTION	REVISED	DATE
A	PRODUCT RELEASE	Landy	2013.05.23



- SPECIFICATIONS:**
- ELECTRICAL CHARACTERISTICS:**
 - RATING: 12V, 1A.
 - CONTACT RESISTANCE: 50 mΩ Max. FOR INITIAL, 100 mΩ Max. AFTER 5000 CYCLES.
 - INSULATION RESISTANCE: 100 MEGAOHMS Min. BY 500V DC.
 - DIELECTRIC WITHSTANDING VOLTAGE: 500V RMS AFTER 1 MINUTE.
 - MECHANICAL CHARACTERISTICS:**
 - INSERTION FORCE : 0.3~3.0 KGF
 - WITHDRAWAL FORCE : 0.3~3.0 KGF
 - LIFE TEST: 5,000 CYCLES.
 - TO CONFORM TO SINGATRON HAZARDOUS SUBSTANCE FREE SPEC.
 - HALOGEN FREE PRODUCT IDENTIFICATION MARK ON PRODUCT:
 - HALOGEN FREE PRODUCT IDENTIFICATION LABEL ON PACKAGING:
 - FOR REFLOW SOLDERING LEAD-FREE PROCESS.



F	COVER	1	SUS	N/A
E	RING A	1	COPPER ALLOY 0.2t	GOLD FLASH ON CONTACT AREA AND SOLDER TAIL, ALL OVER NICKEL PLATED
D	TIP SPRING	1	COPPER ALLOY 0.2t	
C	RING B	2	COPPER ALLOY 0.2t	
B	EARTH	1	COPPER ALLOY 0.2t	
A	BODY	1	THERMOPLASTIC HIGH TEMP	BLACK COLOR
NO	DESCRIPTION	QTY	MATERIAL	PLATING & COLOR

UNLESS OTHERWISE SPECIFIED TOLERANCES		Singatron Enterprise Co., Ltd. 信音企業股份有限公司		
DECIMALS: ANGLES:		TITLE: 3.5ø PHONE JACK		
X	:±0.5	X	:±2°	DWN Landy 13/5/29 PART NO. 2SJ2408-000111F
X.X	:±0.3	X.X	:±1°	CHKD Wikan 13/5/29 SCALE 6:1 UNIT: mm
X.XX	:±0.2	APVD Liao 13/5/29	SIZE: A3	SHEET: 10F1 REV: A
CUSTOMER COPY				