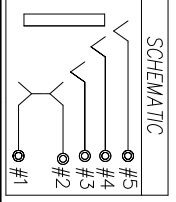
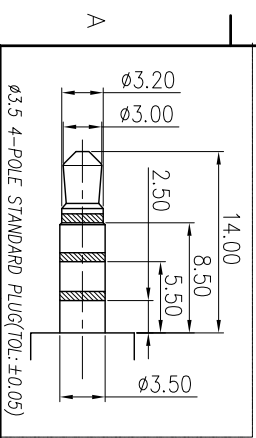
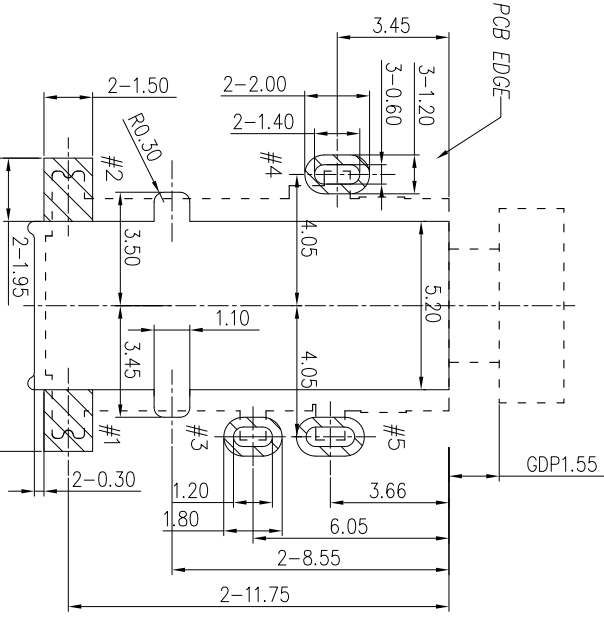
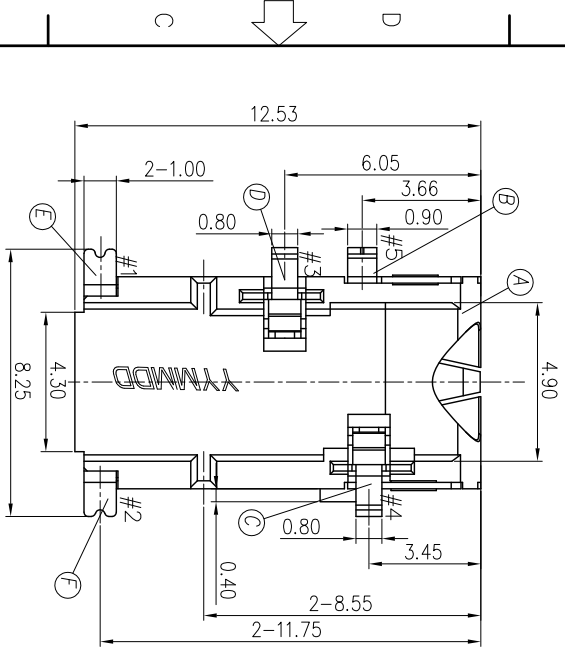


Product application:
The spring working position when Plug-In.
Earth terminal required mechanism protect

SPECIFICATIONS:

1. Electrical Characteristics:
 - 1-1. Rating: 12V/1A
 - 1-2. Contact resistance: 30mΩ Max.(initial)
 - 1-3. Dielectric withstanding voltage: 500V AC for one minute
 - 1-4. Insulation resistance: 100MΩ Min. measured by 500V DC
2. Mechanical characteristics:
 - 2-1. Insertion force: 0.3~3.0 Kgf
 - 2-2. Withdrawal force: 0.3~3.0 Kgf
 3. Life test: 5,000 Cycles
 4. Other general spec to refer "3.500 Phone Jack spec"
 5. To conform to singatron hazardous substance free spec
 6. Halogen free product identification Mark:
 7. Halogen free product identification label on packaging:
 8. For reflow soldering lead-free process
 9. Packaging: Tape&Reel



G	MYLAR	1	MYLAR 0.075T	
F	TIP-A SPRING	1	C5210-EH 0.20T	
E	TIP-B SPRING	1	C5210-EH 0.25T	Gold Flash On Contact Area & Solder tail, All over Nickel Plated
D	RING-A	1	C5210-EH 0.20T	
C	RING-B	1	C5210-EH 0.20T	
B	EARTH	1	C5210-EH 0.20T	
A	BODY	1	PA-10+30%GF UL94V-0 BLACK	
UNLESS OTHERWISE SPECIFIED TOLERANCES		Singatron Enterprise Co., Ltd. 		
DECIMALS:		ANGLES:	TITLE	
X	:±0.5	X	:±2°	3.500 PHONE JACK
X.X	:±0.3	X.X	:±1°	DWG
X.XX	:±0.2			CHKD
				APVD
		DATE: 14/3/25		SCALE: 7:1
		SHEET: 1 OF 1		UNIT: mm
		CUSTOMER COPY		REV: A