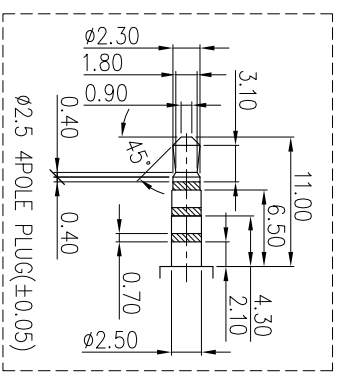
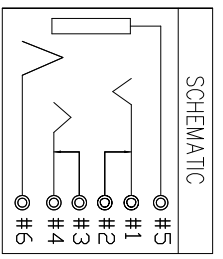
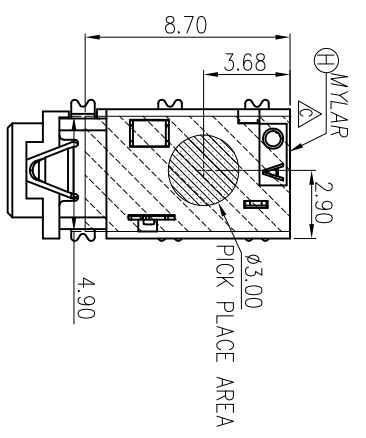
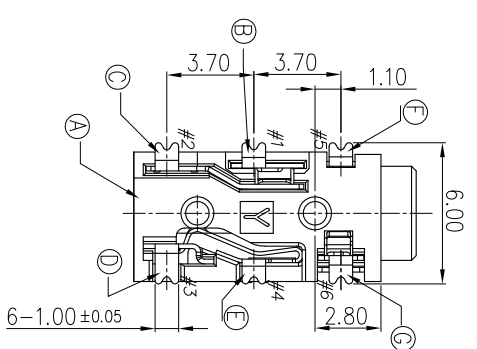
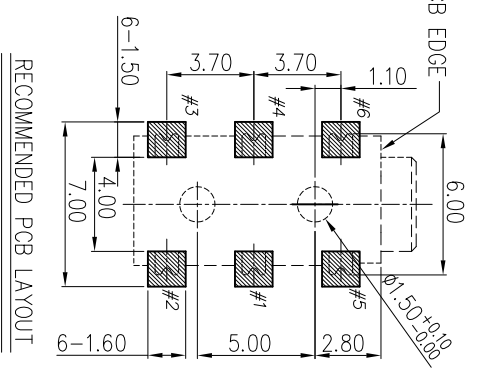


REV.	ECN NO OR DESCRIPTION	REVISED	DATE
A	PRODUCT RELEASE	ARES	2011.05.19
B	ECN: C120075 MODIFY DRAWING	DAOWEN	2012.03.17
C	ECN: C140043 UPDATE DRAWING	ZLS	2014.7.4

RECOMMENDED PCB LAYOUT
TOP VIEW (TOLERANCE: ±0.05)



- SPECIFICATIONS:
- ELECTRICAL CHARACTERISTICS:
 - RATING: 12V 1A
 - CONTACT RESISTANCE: 30mΩ MAX(BEFORE)
 - DIELECTRIC VOLTAGE WITHSTAND: 500V AC FOR ONE MINUTE
 - INSULATION RESISTANCE: 100MΩ MIN. MEASURED BY 500 VDC
 - MECHANICAL CHARACTERISTICS:
 - INSERTED FORCE : 3.5 Kgf MAX.
 - WITHDRAWAL FORCE : 0.3~3.0 Kgf
 - LIFE TEST: 5,000 CYCLES MIN.
 - TO CONFORM TO THE SINGATRON HSF SPECIFICATION.
 - HALOGEN FREE PRODUCT IDENTIFICATION MARK:
 - HALOGEN FREE PRODUCT IDENTIFICATION LABEL ON PACKAGING:
 - FOR REFLOW SOLDERING LEAD-FREE PROCESS.
 - PACKAGING : TAPE & REEL.

NO	DESCRIPTION	QTY	MATERIAL	PLATING & COLOR
H	MYLAR	1	MYLAR 0.08T	
G	RING SPRING B	1	COPPY ALLOY 0.2t	GOLD FLASH
F	EARTH	1	COPPY ALLOY 0.2t	GOLD FLASH
E	TIP SPRING	1	COPPY ALLOY 0.15t	GOLD FLASH
D	SHUNT TERMINAL-A	1	COPPY ALLOY 0.2t	GOLD FLASH
C	SHUNT TERMINAL-B	1	COPPY ALLOY 0.2t	GOLD FLASH
B	RING SPRING A	1	COPPER ALLOY 0.2t	GOLD FLASH
A	BODY	1	HIGH TEMP PLASTIC	ORANGE (1375C)

UNLESS OTHERWISE SPECIFIED TOLERANCES

Singatron Enterprise Co., Ltd.
信登企業股份有限公司

DECIMALS:	ANGLES:	TITLE
X : ±0.5	X : ±2°	2.5Ø PHONE JACK
X.X : ±0.3	X.X : ±1'	
X.XX : ±0.2		

CHKD	APVD	DATE	SCALE	UNIT	SIZE	SHEET	REV.
BILLY	XZ	14/7/11	5:1	mm	A3	1 OF 1	C

CUSTOMER COPY